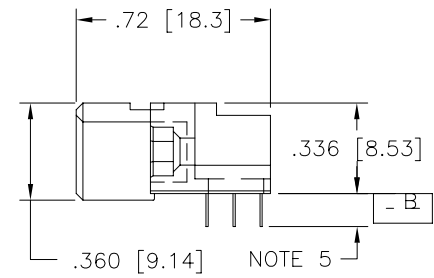
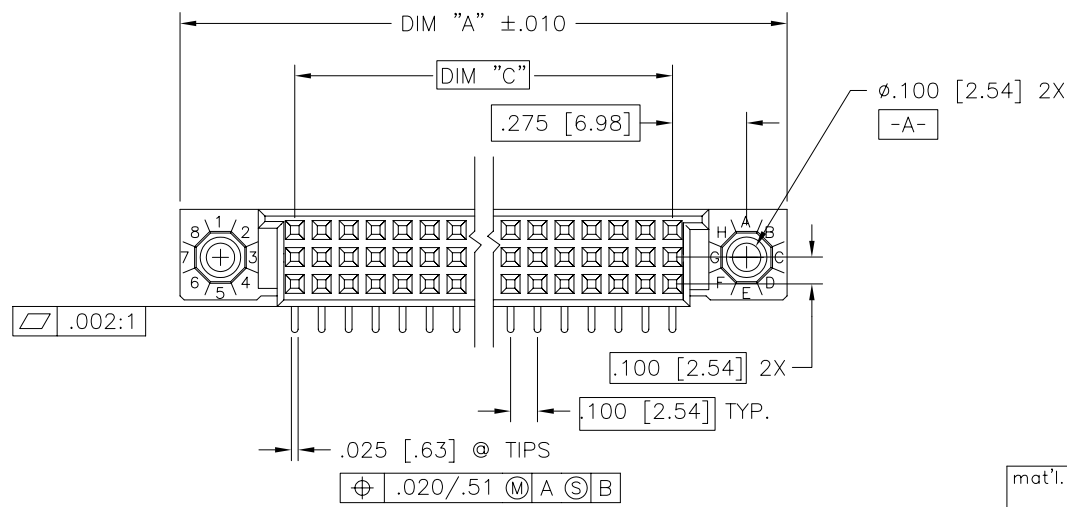
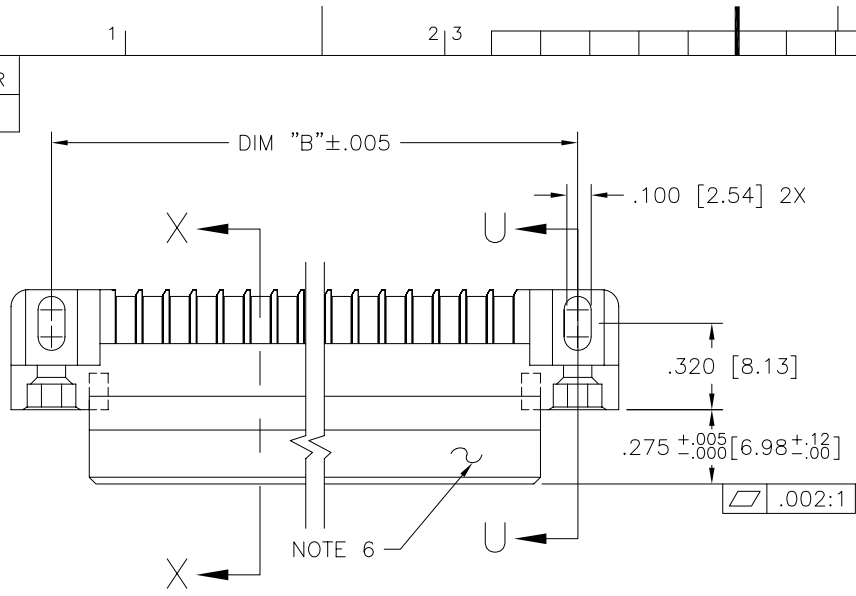




FCIconnect.com

Copyright FCI

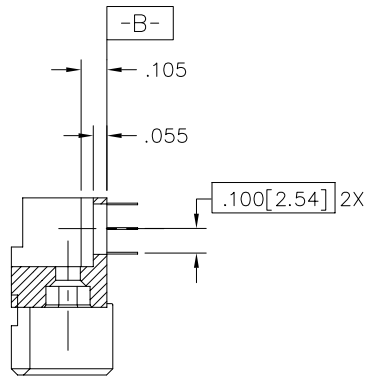
PRODUCT NUMBER  
SEE NOTE 1



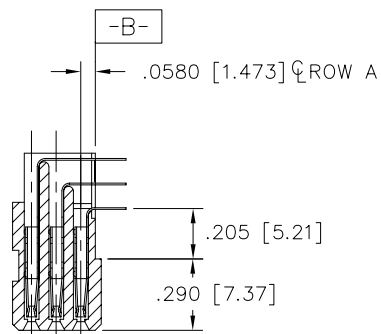
mat'l. code NOTE 3		surface ISO 1302 ✓		tolerance ISO 406 ISO 1101		projection INCH/MM		product family HPC	
ltr		ecn no		dr		date		title	
C	v12626	RDS	10/3/91	tolerances unless otherwise specified		.XX±.01/.3		3 ROW R/A RECEPT, 0 G.P.	
D	v31616	SRS	10/26/93	angles	linear	.XXX±.005/.13		HIGH DUARILITY	
E	v50303	GIP	2/28/95	0'±2'	.XXXX±.0020/.051		scale 1:1		
F	v90117	SAR	1/28/99	dr	D.SHEAFFER	1/7/91		dwg no	
G	v00253	JWS	1/12/00	enr	S.CLARK	1/7/91		sheet 1 of 2 size	
H	v03-0301	TAB	4/30/03	chr	S.CLARK	1/7/91		50200	
J	M06-0283	MHT	7/27/06	appd	S.CLARK	1/7/91		A3	
sheet	revision	J	J					type	
index	sheet	1	2					Product Customer Drawing	

form: A3

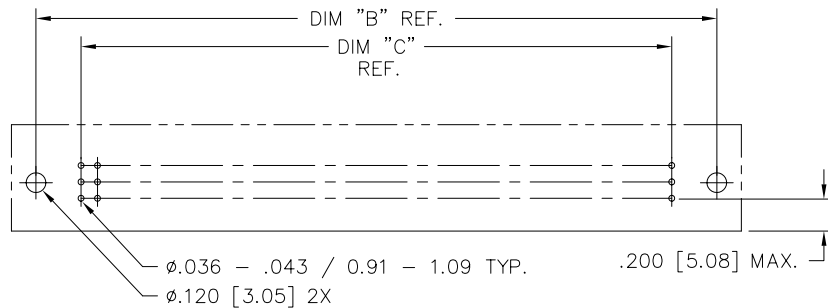
PRODUCT NO.	DIM.	LENGTH FORMULAS
SEE NOTE 1	DIM A	.100/2.54 X NO. OF COLUMNS + .75/19.1
	DIM B	.100/2.54 X NO. OF COLUMNS + .450/11.43
	DIM C	.100/2.54 X NO. OF COLUMNS - .100/2.54



SECTION U-U



SECTION X-X



RECOMMENDED PCB LAYOUT  
(ALL HOLES LOCATED ON .100 [2.54] GRID UNLESS OTHERWISE SPECIFIED)

NOTES:

- PRODUCT NUMBERING CODE:  
50200 - 7 YYY Z  
TAIL LENGTH(NOTE 5)  
NO. OF POSITIONS(NOTE 2)  
PLATING(NOTE 4)  
BASE NUMBER
- THIS PRODUCT IS CONFIGURED IN SIZES OF 10 THRU 80 COLUMNS IN INCREMENTS OF ONE.  
i.e.: 10,11,12,13,14,.....79,80.
- HOUSING MATERIAL: GLASS AND MINERAL FILLED THERMOPLASTIC.  
CONTACT MATERIAL: BeCu
- PLATING CONTACT AREA OPTIONS:  
7 = 60u" / 1.52u GXT  
ALL SOLDER TAILS TIN/LEAD
- TAIL LENGTH OPTIONS:  
E = .125±.010 / 3.18±.25  
F = .145±.010 / 3.68±.25  
H = .180±.010 / 4.57±.25
- MANUFACTURER'S NAME, PART NUMBER AND LOT CODE TO APPEAR ON THIS SURFACE PER BUS-12-108.
- FOR DOCUMENTATION MENU, SEE SPECIFICATION BUS-01-057.
- FOR PRODUCT PERFORMANCE SEE PRODUCT SPEC. NUMBER BUS-12-101.

mat'l. code NOTE 3		surface ISO 1302 ✓		tolerance ISO 406 ISO 1101		projection ⊕		product family HPC	
ltr		ecn no dr		date		tolerances unless otherwise specified		title	
J						angles linear .xx±.01/.3		INCH/MM	
						0°±2'		.xxx±.005/.13	
								.xxx±.0020/.051	
				dr		D.SHEAFFER		1/7/91	
				enr		S.CLARK		1/7/91	
				chr		S.CLARK		1/7/91	
				appd		S.CLARK		1/7/91	
sheet index		revision sheet							
								scale 1:1	
								dwg no	
								sheet 2 of 2 size	
								50200 A3	
								type Product Customer Drawing	



Copyright FCI