

SHROUDED HEADERS (Straight, Elevated)

FEATURES

- Triple keying slots assure proper mating
- PLS mates with IDC socket connectors on 0.100" centers
- PLT mates with most standard sockets, including Crane's ATP Series
- Custom heights available for board stacking
- MATE-RITE TIP™ prevents scraping of mating socket

STANDARD PART DIMENSIONS

MATING		MPLS Dual Row (Cable Version)	MPLT Dual Row (Connector Version)
P	POST LENGTH	0.240" / 6,10mm	0.240" / 6,10mm
I	INSULATOR SPACING	Please refer to the chart on the next page for a wide selection of common board spacing options. Call us if the size you need is not listed.	
L	TOTAL HEIGHT		

INSULATOR BODY (TOP)		MPLS Dual Row (Cable Version)	MPLT Dual Row (Connector Version)
W	WIDTH	0.360" / 9,14mm	0.360" / 9,14mm
D	DEPTH	0.260" / 6,60mm	0.260" / 6,60mm
H	HEIGHT	0.365" / 9,27mm	0.365" / 9,27mm
I	INSIDE	(#POS./2 x 0.100") + 0.210"	(#POS./2 x 0.100") + 0.110"
O	OVERALL	(#POS./2 x 0.100") + 0.300"	(#POS./2 x 0.100") + 0.200"

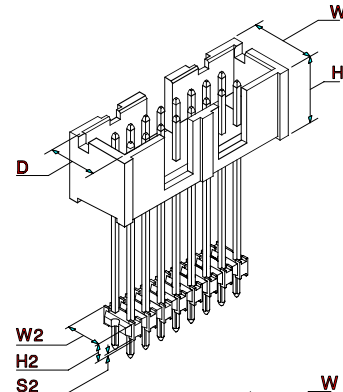
INSULATOR BODY (BOTTOM)		MPLS Dual Row (Cable Version)	MPLT Dual Row (Connector Version)
W2	WIDTH	0.198" / 5,03mm	0.198" / 5,03mm
H2	HEIGHT	0.098" / 2,49mm	0.098" / 2,49mm
S2	STANDOFF	0.015" / 0,38mm	0.015" / 0,38mm

MATERIALS

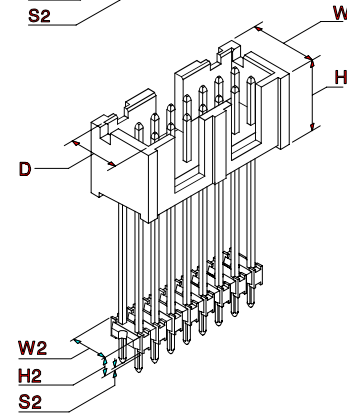
INSULATOR BODY	Glass Filled Polyester (UL94V-O)
POST	Phosphor Bronze

See SPECIFICATIONS and PERFORMANCE DATA for more detail

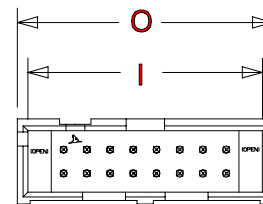
STRAIGHT (10 to 60 positions)



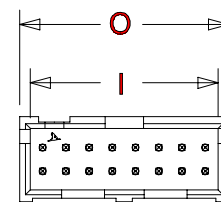
MPLS



MPLT



MPLS



MPLT

SAMPLE HOTLINE: 1-800-676-7644

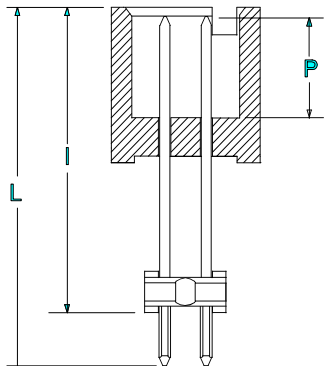
**0.100" (2,54mm) Centers
0.025" (0,64mm) Square
Mating Posts**

HOW TO ORDER CRANE'S MPLS/MPLT SERIES

STANDARD PART NUMBER

PRODUCT SERIES	Cable Version	MPLS											
	Connector Version	MPLT											
TOTAL NUMBER OF POSITIONS	DUAL	10-60											
See box below for sizes offered.													
NUMBER OF ROWS	DUAL		D										
TYPE OF HEADER	STRAIGHT			S									
PLATING (See plating chart below)	CHOOSE G, T or M, H, L, F												
NOTE: Due to the number of options, not all platings are stocked for all lengths. Please call for availability.													
TAIL (0.120" / 3,05mm Standard)	COINED		0.028" / 0,71mm		DIAG.		R						
	KINKED		0.028" / 0,71mm		DIAG.		K						
	SQUARE		0.025" / 0,64mm		SQ.		Q						

SELECTED OPTIONS	POST LENGTH "P"	BODY HEIGHT "I"	TOTAL HEIGHT "L"			
Many other sizes are available. Please call 1-800-676-7644 and give us your exact requirements.	0.240" = B	0.465" = C	0.565" = B	B	C	B
	0.240" = B	0.500" = F	0.605" = C	B	F	C
	0.240" = B	0.625" = I	0.725" = H	B	I	H
	0.240" = B	0.750" = L	0.860" = M	B	L	M
	0.240" = B	0.850" = O	0.955" = O	B	O	O
	0.240" = B	1.000" = R	1.100" = S	B	R	S
	0.240" = B	1.175" = U	1.280" = U	B	U	U
	0.240" = B	1.300" = X	1.420" = X	B	X	X



SIZES AVAILABLE		
NOTE: Other sizes may be available subject to minimum order levels.	2 x 5	2 x 7
	2 x 8	2 x 10
	2 x 12	2 x 13
	2 x 17	2 x 20
	2 x 25	2 x 30

SAMPLE HOTLINE: 1-800-676-7644



CRANE CONNECTORS - PLATING SPECIFICATIONS

PLATING OPTIONS		CONTACT AREA Inches (Millimeters)	PC TAIL Inches (Millimeters)	UNDERPLATE Inches (Millimeters)
G	Selective	15 μ (0,00038) Gold	100 μ (0,00254) Tin/Lead - Min	50 μ (0,00127) Nickel - Min.
T	Tin / Lead	100 μ (0,00254) Tin / Lead	100 μ (0,00254) Tin/Lead - Min	50 μ (0,00127) Nickel - Min.
M	Selective	50 μ (0,00127) Gold	100 μ (0,00254) Tin/Lead - Min	50 μ (0,00127) Nickel - Min.
H	Selective	30 μ (0,00076) Gold	100 μ (0,00254) Tin/Lead - Min	50 μ (0,00127) Nickel - Min.
L	Selective	10 μ (0,00025) Gold	100 μ (0,00254) Tin/Lead - Min	50 μ (0,00127) Nickel - Min.
F	Selective	3 μ (0,00008) Gold	100 μ (0,00254) Tin/Lead - Min	50 μ (0,00127) Nickel - Min.

STANDARD TAIL OPTIONS ON 0.100" (2,54mm) PIN STRIP HEADERS

"R" COINED	"K" KINKED	"F" FINE	"Q" SQUARE
The standard "R" option provides a coined tail improving solder action while making insertion easier.	The "K" option provides a kinked tail, reducing unwanted movement on the PC board.	The "F" option combines an 0.018" rounded tail with an 0.025" square post. This fine line feature allows more traces between holes.	The "Q" option provides an 0.025" square tail for use in wire wrap applications.

STANDARDS

 UL File No. E120111 (N)	ISO9001  Crane Connectors File No. A-3620
Recognized to U.S. and Canadian requirements under the Component Recognition Program of Underwriters Laboratories Inc.	Registered by UL to ISO9001 under UL's accreditation by Raad voor de Certificatie (RvC), the Dutch Council for Certification.

ENGINEERING NOTE: The information presented in this catalog page is accurate to the best of our knowledge. Due to ongoing efforts to advance design and material performance, the information is subject to change without notice.

SAMPLE HOTLINE: 1-800-676-7644

CRANE CONNECTORS • 4700 Smith Road • Cincinnati, Ohio 45212 USA • E-mail Address: info@craneconnectors.com
 Phone: (513) 631-4700 • Fax (513) 631-5700 • Toll Free US (800) 676-7644 • Canada (800) 420-7310