

REV.	SPECIFICATION	ECN NO.	APPD.

Material:

Housing: High Temperature Plastic UL94V-0.

Contacts: Copper Alloy.

Electrical Characteristics:

Current Rating: 1 AMP.

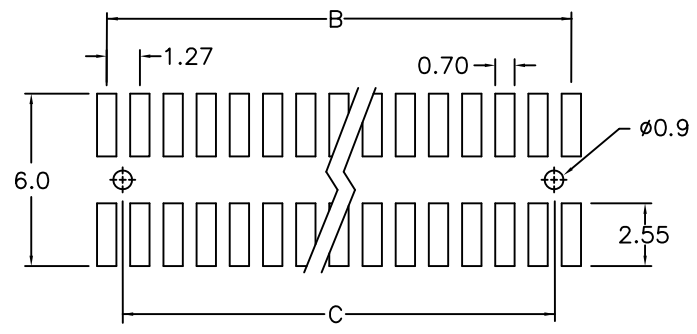
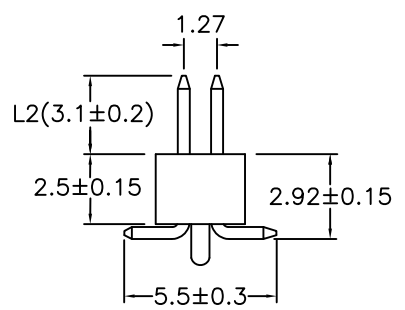
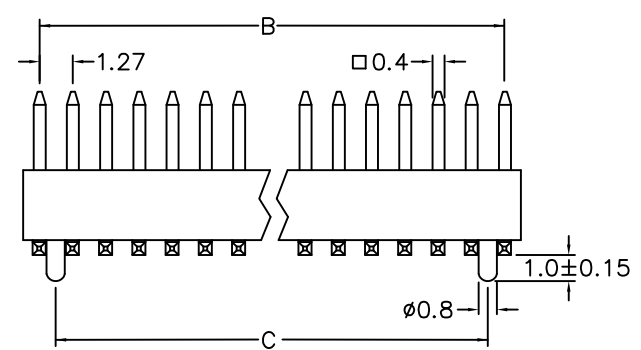
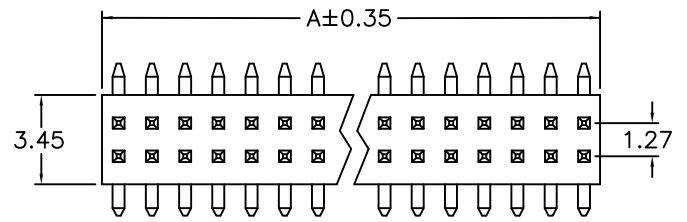
Dielectric Withstanding Voltage: AC 500V For 1 minute.

Insulator Resistance: 1000MΩ min. at DC 500V.

Contact Resistance: 20mΩ max. at DC 100mA.

Operating Temperature: -40°C~+105°C.

***RoHS Compliant**



P.C. Board Layout

2215- Series 2 Double Row X No. of Pin Per Row G C: Selective Gold Plated 00 00: G/F 10: 10 μΩ 15: 15 μΩ 30: 30 μΩ D SMD Type P P: With Post -3.1 3.1: Mating Length B B: Bulk Package U: Tube Package -H2.5 H2.5: Plastic Height

Position	4 Thru 100
Dimension	
A	1.27 X No. of Positions/2-0.2
B	1.27 X No. of Positions/2-1.27
C	1.27 X No. of Positions/2-2.54

Tolerances	Dwg. No.	2215D01019
x = ±0.5	Projection	
.x = ±0.25	Unit	mm
.xx = ±0.15	Scale	1:1
	Drawn By	Peggy08/30'12

Title: 2215 Series Pin Header 1.27mmX1.27mm

OUPIN
 OUPIN ELECTRONIC(KUNSHAN) CO., LTD.
 P/N: 2215-2XxxGOODP-3.1B-H2.5

SHEET	1/1	Ver.No.	A6
-------	-----	---------	----

①325