

15/25/35 AMPS. SILICON BRIDGE RECTIFIERS

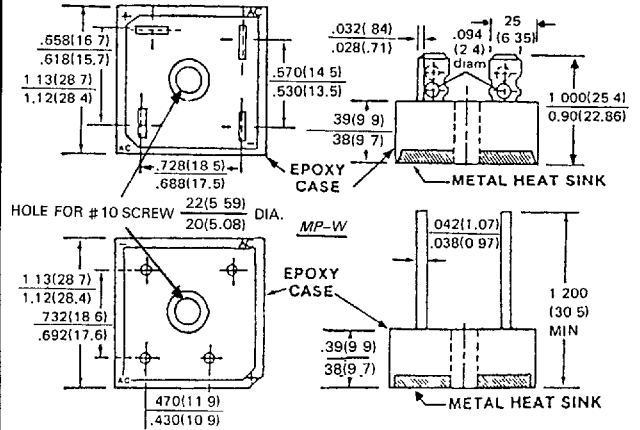


VOLTAGE RANGE
50 to 1000 Volts
CURRENT
15, 25, 35 Amperes

FEATURES

- Rating to 1000V PRV
- 400 amperes surge capability
- High efficiency
- CASE: Molded Plastic with Heatsink Internally Mounted in the Bridge Encapsulation
- Electrically isolated metal case for maximum heat dissipation
- U. L. recognized file # E95060
- Weight: 0.7 ounce 20 grams
- Mounting: thru hole for #10screw

MP-CASE



All dimensions in inches (millimeters)

MAXIMUM RATINGS AND ELECTRICAL CHARACTERISTICS

Ratings at 25° C ambient temperature unless otherwise specified.
Single phase, half wave, 60Hz, resistive or inductive load,
For capacitive load, derate current by 20%.

MP 15/25/35		-005	-01	-02	-04	-06	-08	-10	UNIT
		-005W	-01W	-02W	-04W	-06W	-08W	-10W	
Maximum Recurrent Peak Reverse Voltage	V_{RRM}	50	100	200	400	600	800	1000	V
Maximum RMS Input Voltage	V_{RMS}	35	70	140	280	420	560	700	V
Maximum DC Blocking Voltage	V_{DC}	50	100	200	400	600	800	1000	V
Maximum Average Forward Output Current @ $T_c = 55^\circ C$	MP15 MP25 MP35 $I_{(AV)}$				15 25 35				A
Peak Forward Surge Current, 8.3 ms Single Half Sine-wave superimposed on Rated Load (JEDEC Method)	MP15 MP25 MP35 I_{FSM}				300 300 400				A
Maximum Forward Voltage per Bridge Element	MP15 7.5A MP25 at IF 12.5A MP35 17.5A V_F				1.1				V
Maximum DC Reverse Current at Rated DC Blocking Voltage per Bridge Element @ $T_A = 25^\circ C$ @ $T_A = 100^\circ C$	I_R				10 500				μA μA
$I^2 t$ Rating for fusing ($t < 8$ 3ms)	$I^2 t$				374 / 664				$A^2 S$
Typical Thermal Resistance (Note 1)	$R_{\theta JC}$				2.0				$^\circ C/W$
Operating Temperature Range	T_J				-55 to +125				$^\circ C$
Storage Temperature Range	T_{STG}				-55 to +150				$^\circ C$

NOTE: 1. Mounted on a 11.8 in² X 0.06 in thick (300mm² X 1.5mm thick) Copper plate.
2. Fast Recovery, Controlled avalanche bridges are available. Please consult with factory.

FIG 1 - FORWARD DERATING CURVE

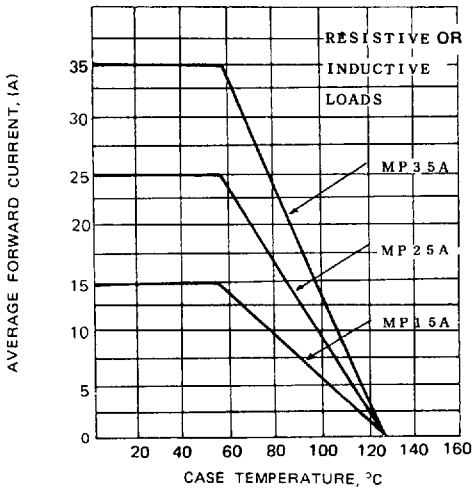


FIG 2 - PEAK FORWARD SURGE CURRENT

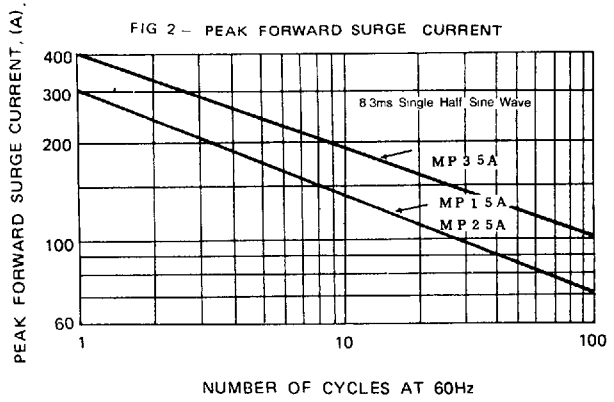


FIG 3 - TYPICAL FORWARD CHARACTERISTICS

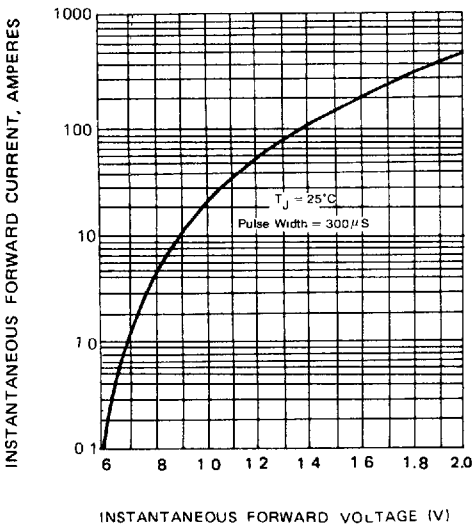
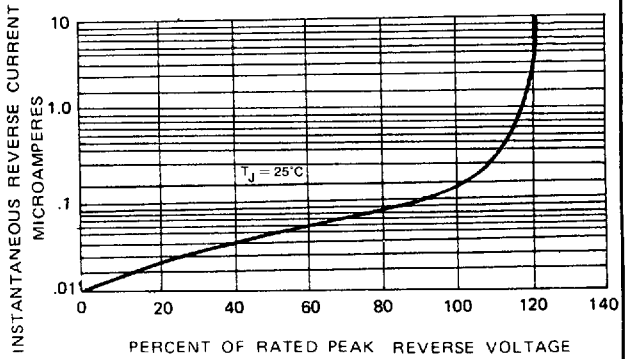


FIG 4 - TYPICAL REVERSE CHARACTERISTICS



Embossed Carrier Dimensions

8, 12, 16, 24mm Tape Only

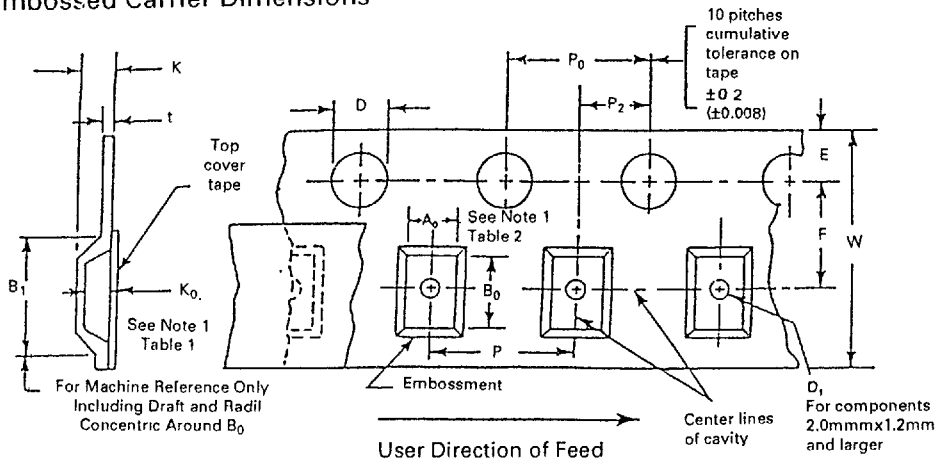


TABLE 1

EMBOSSSED TAPE

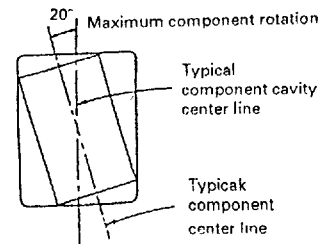
ALL DIMENSION IN MILLIMETERS AND (INCHES)

TAPE SIZE	D	E	Po	t (MAX)	AoBoKo	CONSTANT DIMENSION
12.16 mm	$1.5^{+0.10}_{-0.0}$ (0.059 ^{+0.004} _{-0.00})	1.75 ± 0.10 (0.069 ± 0.04)	4.0 ± 0.10 (0.157 ± 0.04)	0.40 (0.016)	SEE NOTE 1	

PRODUCT TYPE	TAPE SIZE	B1 MAX	D1 MIN	F	K MAX	P2	R MIN	M	P	VARIABLE DIMENSIONS
SM1	12mm	8.2 (.323)	1.5 (.059)	5.5 ± 0.05 (.217 ± .002)	4.5 (.177)	2.0 ± 0.05 (.079 ± .002)	30 (1.81)	$12.0 \pm .30$ (.472 ± .012)	$4.0 \pm .10$ (.157 ± .004)	
SMB					2.67 (.105)				$8.0 \pm .10$ (.315 ± .004)	
DFS	16mm	12.1 (.476)	1.5 (.059)	7.5 ± 0.10 (.295 ± .004)	3.7 (.146)	$4.0 \pm .10$ (.157 ± .004)	30 (1.81)	$16.0 \pm .30$ (.630 ± .012)	$12.0 \pm .10$ (.472 ± .004)	
SMDF					4.9 (.193)				$6.0 \pm .10$ (.287 ± .004)	

Notes: 1. AoBoKo are determined by component size. The clearance between the component and the cavity must be within 0.05 (.002) min. to 0.50 (.020) max. for 8mm tape. 0.05 (.002) min. to 0.65 (.025) max. for 12mm tape. 0.05 (.002) min. to 0.90 (.035) max. for 16mm tape and 0.05 (.002) min. to 1.00 (.039) max. for 24mm tape and larger. The component cannot rotate more than 20° within the determined cavity, see sketch "A" below.

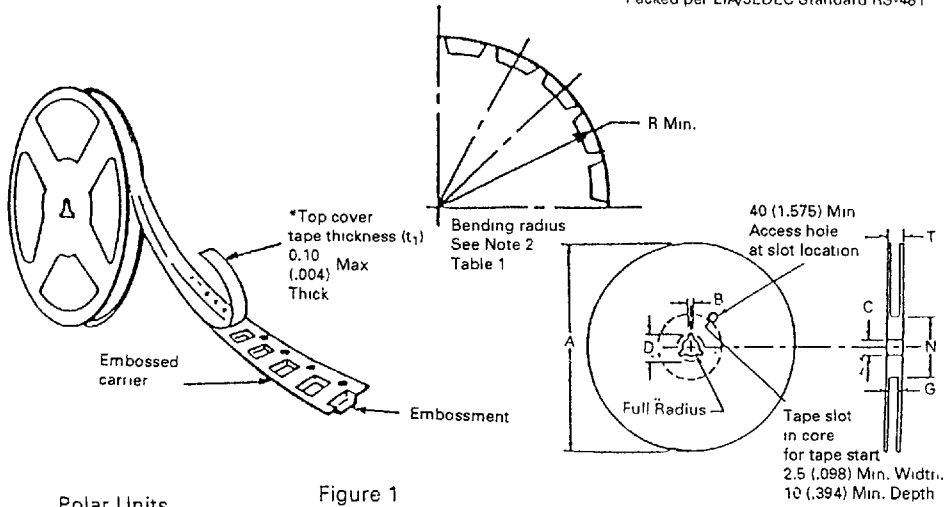
2. Tape and components shall pass around radius "R" without damage.



Sketch "A"

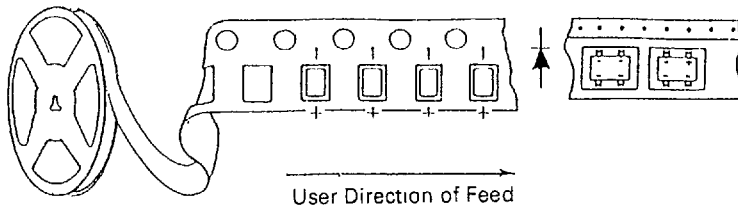
SURFACE MOUNT PACKAGING

Packed per EIA/JEDEC Standard RS-481



Polar Units

Figure 1



REEL DIMENSIONS

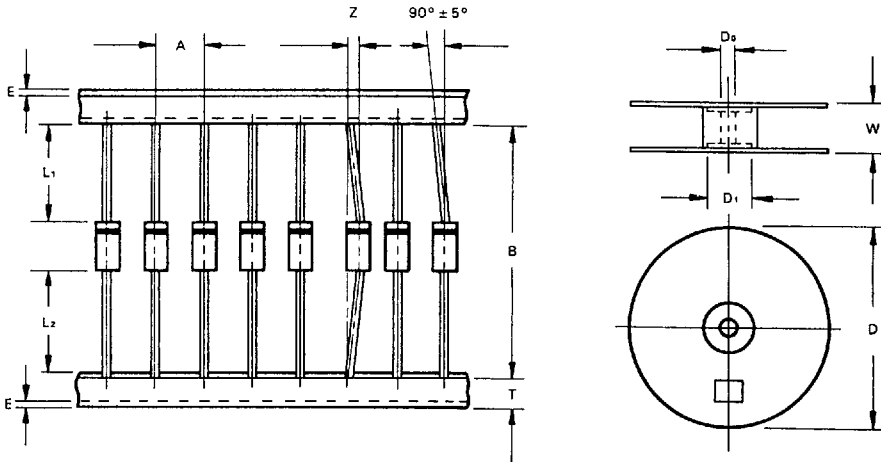
TAPE SIZE	A MAX.	B MAX.	C	D MIN	N MIN	G	T MAX.
12mm	330 (12.992)	1.5 (.059)	13.0±0.5 (.512±.020)	20.2 (.795)	5.0 (1.969)	12.4 ^{+2.0} _{-0.0} (.488 ^{+0.078} _{-0.0})	18.4 (.724)
16mm	360 (14.173)	1.5 (.059)	13.0±0.5 (.512±.020)	20.2 (.795)	5.0 (1.969)	16.4 ^{+2.0} _{-0.0} (.646 ^{+0.078} _{-0.0})	22.4 (.882)

PACKING:

DEVICE TYPE	Q'TY/REEL (PCCS)	REEL DIA. (Mmm)	BOX SIZE (mm)	Q'TY/BOX	CARTON SIZE (mm)	Q'TY/CARTON (PCS)
SMI	1500	178	188x188x68	6000	337x337x350	30000
	5000	330	337x337x40	10000		80000
SMB	500	175	188x188x68	1000		14000
	3000			6000		48000
DF-S	1000	330	337x337x40	1000		8000
S MDF						

Axial lead devices are packed in accordance with EIA standard RS-296-D and specifications given below.

COMPONENT OUTLINE	COMPONENT PITCH A $\pm 0.5\text{mm (}.020\text{'})$	INNER TAPE PITCH B $\pm 1.5\text{mm (}.059\text{'})$	CUMULATIVE PITCH TOLERANCE
A-405	5.0mm	26.0mm	2.0mm/20pitch
A-405	5.0mm	52.4mm	2.0mm/10pitch
DO-41	5.0mm	26.0mm	2.0mm/20pitch
DO-41	5.0mm	52.4mm	2.0mm/10pitch
DO 15	5.0mm	52.4mm	2.0mm/10pitch
DO-201AD	10.0mm	52.4mm	2.0mm/10pitch
R-6	10.0mm	52.4mm	2.0mm/10pitch



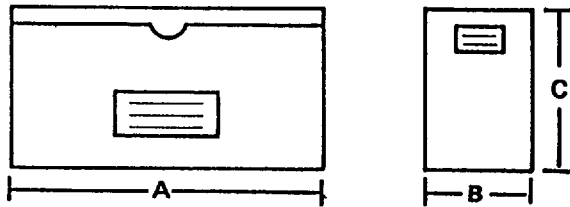
ITEM	SYMBOL	SPECIFICATIONS (mm)	SPECIFICATIONS (inch)
Component alignment	Z	1.2 max.	0.048 max.
Tape width	T	6.0 ± 0.4	0.236 ± 0.016
Exposed adhesive	E	0.8 max.	0.032 max.
Body eccentricity	$ L_1 - L_2 $	1.0 max.	0.040 max.
Reel outside diameter	D	330.0	13.0
Reel inner diameter	D_1	85.7 ± 0.3	3.375 ± 0.012
Feed hole diameter	D_0	16.6 ± 0.4	0.655 ± 0.016
Reel width	W	79.0 ± 1.0	3.110 ± 0.040

NOTE. 1. Each component lead shall be sandwiched between tapes for a minimum of 3.2mm (0.126").
 2. The reel width 'W' for 26mm taping is $50.0 \pm 1.0\text{mm (}1.97\text{' } \pm 0.040\text{'})$

BULK PACKAGING

DEVICE TYPE	PACKAGING SIZE (MM)		QUANTITY (EA)		APPROX GROSS WEIGHT (KG)	
	BOX	CARTON	BOX	CARTON	BOX	CARTON
DO 41L	196 x 84 x 20	450 x 210 x 250	1000	50K	0.38	20
DO-41 DO-15	196 x 84 x 20	450 x 210 x 250	1000	50K	0.38	20
DO-201AD	305 x 93 x 59	355 x 355 x 355	1000	20K	1.35	28
R-6	305 x 93 x 59	355 x 355 x 355	500	10K	1.2	24.5
PBM	238 x 235 x 50	500 x 250 x 290	1000	10K	1.5	16.2
PBDF /DF	495 x 155 x 145	500 x 325 x 305	5000	20K	7.1	28.4
PBP	220 x 170 x 55	450 x 210 x 310	400	4K	1.1	11
PBL	238 x 235 x 50	500 x 250 x 290	300	3K	1.9	19.5
PBPC-3/PBPC-6	205 x 205 x 55	450 x 210 x 310	200	2K	0.9	8.9
PBPC-8	200 x 200 x 55	450 x 210 x 310	150	1.5K	1.7	7.5
KBPC/MP	205 x 205 x 55	450 x 210 x 310	50	0.5K	1.9	16
KBPC W/MP W		340 x 330 x 280	100	0.8K	3.5	28
TO-220	555 x 165 x 95	570 x 355 x 215	2000	8K	5.8	24
TO-3P	550 x 200 x 120	570 x 230 x 265	1200	2.4K	11	23
SMDF /DF-S	495 x 155 x 145	500 x 325 x 305	9000	36K	6.5	26.5

AMMO BOX PACKAGING



BOX SIZE

Unit: m. m.

Packaging	Products Outline	Dimension "A"	Dimension "B"	Dimension "C"	Q'ty per BOX
26MM Horizontal Ammo Pack	DO-41, T-1, A-405	255	50	107	3K
52MM Horizontal Ammo Pack	DO-41, A-405, T-1 DO-15, DO-201AD	250	75	107	3K 2K 1K

CARTON SIZE

Unit: m. m.

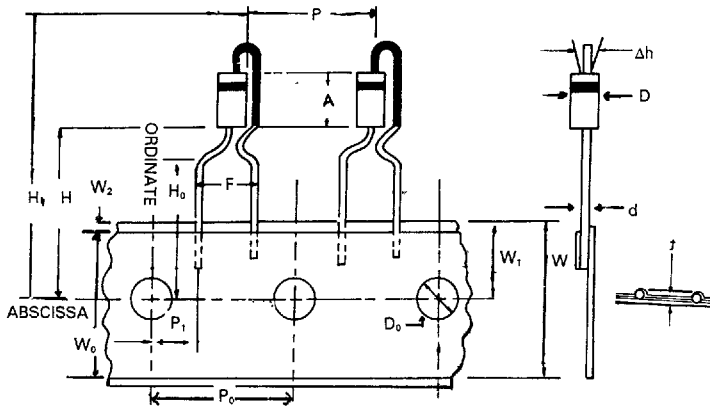
Packaging	Products Outline	Length	Width	Height	Q'ty Per Carton
26MM Horizontal Ammo Pack	DO-41, T-1, A-405	530	300	280	54K
52MM Horizontal Ammo Pack	DO-41, A-405, T-1 DO-15, DO-201AD	530	300	280	36K 24K 12K

PANASERT PACKAGE

- LITE-ON supplies panasert taping/packing to satisfy customer requirement
- All dimensions follow EIA-481 standard

Products	QTY/Reel	QTY/Ammo Box
A-405	2.5K	2K

PANASERT PACKAGING OUTLINES



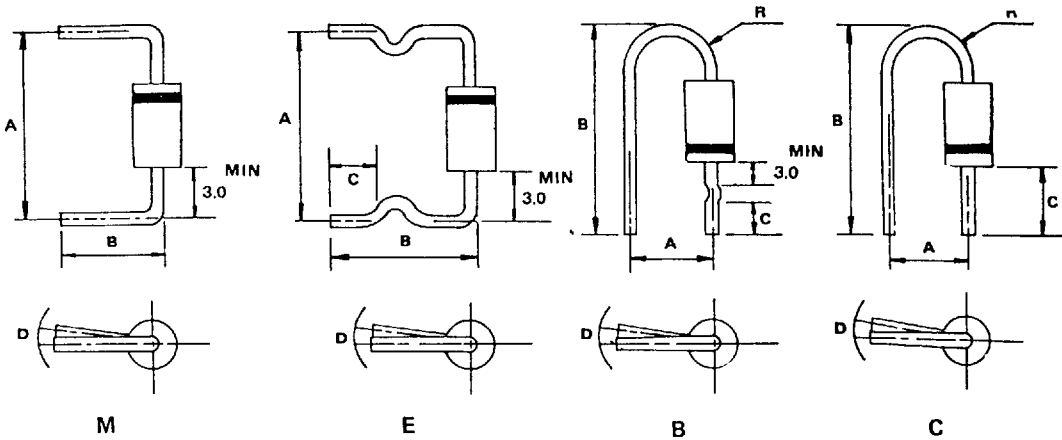
PACKING:

- Maximum fanfold (Ammunition box): 340 x 340 x 55 mm
- Maximum reel size: 360mm diameter x 55 mm overall width:
- Packaging method code:
 1. Cathode up, anode first off ammo pack
 2. Cathode up, cathode first off ammo pack
 3. Cathode up, anode first off reel
 4. Cathode up, cathode first off reel
 5. Cathode down, anode first off ammo pack
 6. Cathode down, cathode first off ammo pack
 7. Cathode down, anode first off reel
 8. Cathode down, cathode first off reel

ITEM	SYMBOL	A-405 mm (INCH)
Body height	A	5.2 (0.205) max.
Body diameter	D	2.7 (0.107) max.
Lead wire diameter	d	0.59±0.05 (0.023±0.002)
Pitch of component	P	12.7±1.0 (0.500±0.01)
Sprocket hole pitch	P ₀	12.7±1.0 (0.500±0.04)
Sprocket hole center to lead	P ₁	3.85±0.70 (0.152±0.028)
Carrier tape width	W	18.0±0.5 (0.709±0.020)
Hold down tape width	W ₀	12.5±1.0 (0.492±0.014)
Sprocket hole position	W ₁	9.0± ^{0.75} / _{0.50} (0.351± ^{0.03} / _{0.02})
Hold down tape position	W ₂	0.6 (0.024) max.
Sprocket hole diameter	D ₀	4.0±0.2 (0.157±0.008)
Height of component from tape position	H	19.5±1.0 (0.768±0.040)
Lead wire clinch height	H ₀	16.0±0.5 (0.630±0.020)
Overall height above abscissa	H ₁	32.25 (1.27) max.
Component lead spacing	F	5.0±0.5 (0.197±0.020)
Total tape thickness	t	1.5 (0.059) max.
Deflection	Δh	±1.0 (±0.040)

- NOTE: 1. Lead insulation coating allow to be exposed 1.5 mm (0.059 inch) max. from body.
 2. Non insulation lead coating type is also available.
 3. Lead protrusion shall not exceed 0.6mm (0.024) max.

PREFORMED LEAD DRAWING



Case type	Performed Type	A —(mm)		B —(mm)		C —(mm)		D —(mm)		R (M00)	
		range	tolerance	range	tolerance	range	tolerance	range	tolerance	range	tolerance
DO-41 DO-41L	M	9.0-20.0	±0.5	8.0-22.0	±0.5	—	—	1.5	max.	—	—
	E	11.0-20.0	±0.5	11.0-16.0	±1.0	4.0-5.0	±0.5	1.5	max.	—	—
	B	7.5	±0.5	19.0-22.0	±0.5	7.5	±0.5	1.5	max.	2.5-4.0	Typ
	C	4.5	±0.8	18.0-19.0	±0.5	9.0	±0.5	1.5	max.	2.5-4.0	Typ
DO-15	M	9.0-20.0	±0.5	8.0-22.0	±0.5	—	—	1.5	max.	—	—
	E	11.0-20.0	±0.5	11.0-16.0	±1.0	4.0-5.0	±0.5	1.5	max.	—	—
DO201AD	M	15.0-20.0	±1.0	8.0-22.0	±1.0	—	—	2.0	max.	—	—
	E	15.0-20.0	±1.0	10.0-22.0	±1.0	3.0-15.0	±0.5	2.0	max.	—	—
R-6	M	15.0-20.0	±1.0	8.0-22.0	±1.0	—	—	2.0	max.	—	—

*Press Forming Also Available.