

**SPEED/PACKAGE AVAILABILITY**

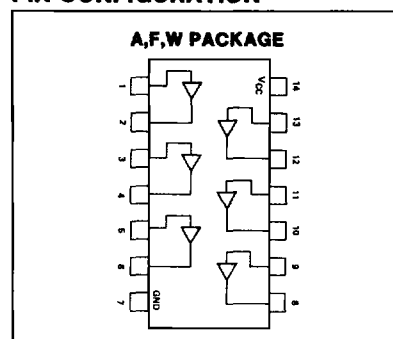
54 F,W      74 A,F

**SWITCHING CHARACTERISTICS**  $V_{CC} = 5V, T_A = 25^\circ C$

TEST CONDITIONS	54/74			UNIT
	MIN	TYP	MAX	
Propagation delay time				
$t_{PLH}$ Low-to-high		6	10	ns
$t_{PHL}$ High-to-low		20	30	ns

Load circuit and typical waveforms are shown at the front of section.

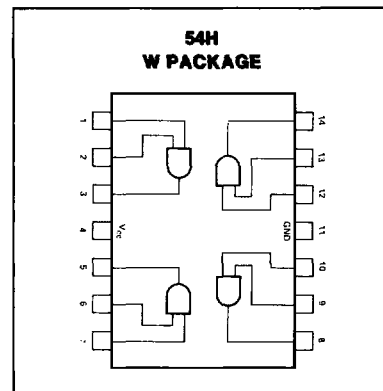
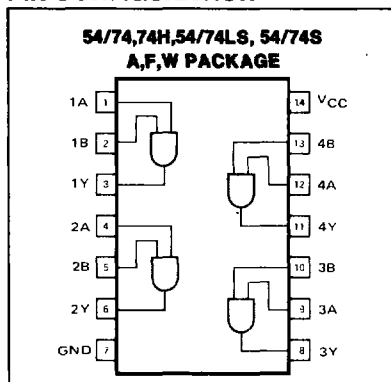
**PIN CONFIGURATION**



**SPEED/PACKAGE AVAILABILITY**

54 F,W      74 A,F  
 54H F,W      74H A,F  
 54LS F,W      74LS A,F  
 54S F,W      74S A,F

**PIN CONFIGURATION**



**SWITCHING CHARACTERISTICS**  $V_{CC} = 5V, T_A = 25^\circ C$

TEST CONDITIONS	54/74			54/74H			54/74LS			54/74S			UNIT
	MIN	TYP	MAX	MIN	TYP	MAX	MIN	TYP	MAX	MIN	TYP	MAX	
Propagation delay time													
$t_{PLH}$ Low-to-high		17.5	27		7.6	12		8.5	15		4.5	7	ns
											$C_L = 50pF$ 6		
$t_{PHL}$ High-to-low		12	19		8.8	12		8	20		5	7.5	ns
											$C_L = 50pF$ 7.5		

Load circuit and typical waveforms are shown at the front of section.

91901