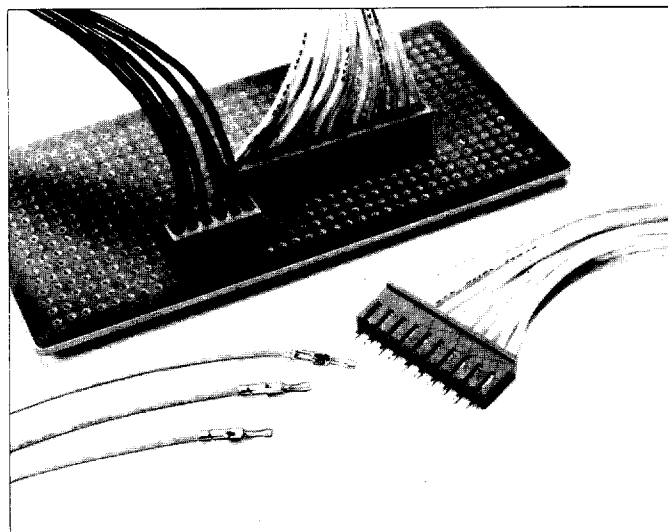


A-61-05-13

**■ DIRECT PCB MOUNTING
CRIMP TYPE PIN CONNECTOR
2.5mm PITCH**

IL-J Series



In the case that the cable is not needed to be disconnected permanently from the P. C. board, IL-J series crimp type pin connector is used to be soldered directly on the P.C. board, thus eliminating pin header and installation cost. IL-J series connector has the split contact tips for easier soldering.

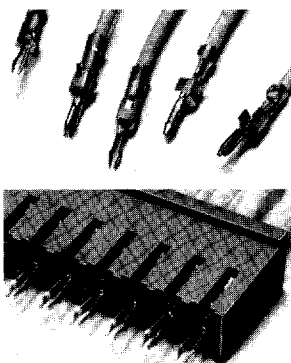
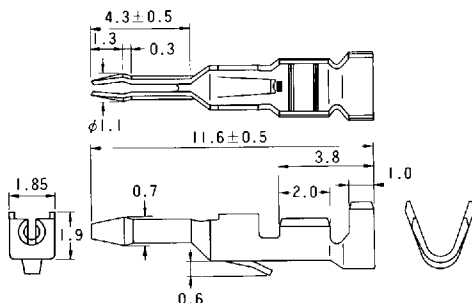
- Contact arrangement: 2.5mm centers
- Very low profile: 8.9mm high
- 14 sizes, from 2 to 15 contact layouts
- No short circuit between neighboring contacts

● STANDARD DATA

Current rating: 3 Amp.
Insulation resistance: 100 MΩ min.
Dielectric withstanding voltage: 1500VAC rms
Operating temperature: -40°C thru +80°C

● CRIMP TYPE PIN CONTACT: IL-J-C2-5000

Reeled contacts (5000 pcs.)
Material: Phosphor bronze, Tin plated



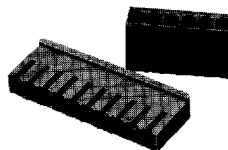
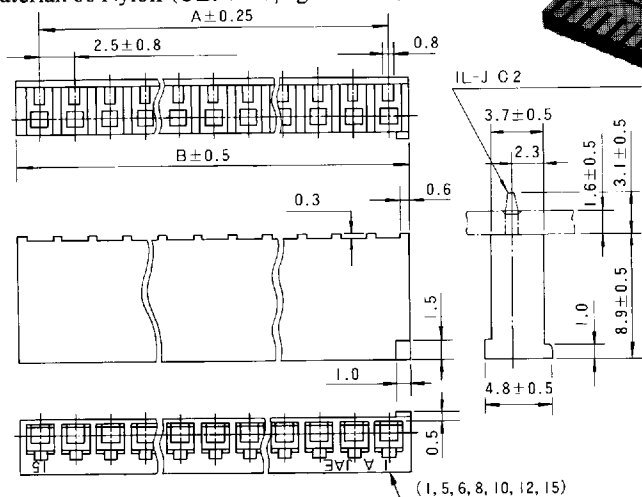
Applicable wire:
AWG #22 ~ #28 stranded wire
Outer dia.: 1.0 thru 1.7 mm
Applicable PCB: 1.6±0.2 thick
PCB hole dia.: 1.05^{+0.05} mm

Semi-automatic crimping machine:
CT350-2-ILG

Hand crimping tool:
CT150-1-ILJ for AWG #28 ~ #26
CT150-1B-ILJ for AWG #26 ~ #24
CT150-1C-ILJ for AWG #24 ~ #22
CT150-1D-ILJ for AWG #20 (shielded wire)

● HOUSING: IL-J-*P-S3C2-S

Material: 66 Nylon (UL94V-0, light brown)



No. of contacts	Part Number	A ±0.25	B ±0.5
2	IL-J-2P-S3C2-S	2.5	5.5
3	IL-J-3P-S3C2-S	5.0	8.0
4	IL-J-4P-S3C2-S	7.5	10.5
5	IL-J-5P-S3C2-S	10.0	13.0
6	IL-J-6P-S3C2-S	12.5	15.5
7	IL-J-7P-S3C2-S	15.0	18.0
8	IL-J-8P-S3C2-S	17.5	20.5
9	IL-J-9P-S3C2-S	20.0	23.0
10	IL-J-10P-S3C2-S	22.5	25.5
11	IL-J-11P-S3C2-S	25.0	28.0
12	IL-J-12P-S3C2-S	27.5	30.5
13	IL-J-13P-S3C2-S	30.0	33.0
14	IL-J-14P-S3C2-S	32.5	35.5
15	IL-J-15P-S3C2-S	35.0	38.0

Dimensions (mm) subject to change