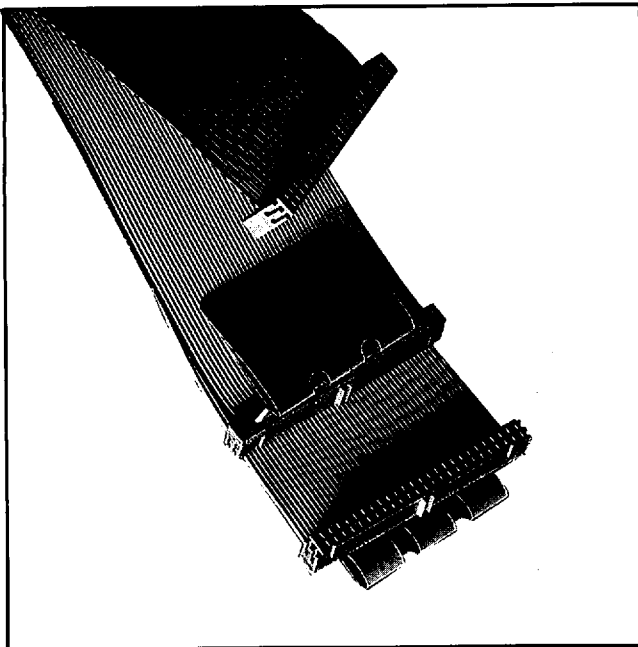


.100" × .100" Molded Socket

.050" Pitch Cable

871 Series



- Part of a complete cable assembly
- Mates with industry standard .25 inch square pins on .100 inch × .100 inch centers
- One piece, molded on construction with integral strain relief
- High and low profiles available, both accommodate typical header latches (short and long)
- Slotted ends allow mating to continuous row headers
- Industry standard polarization
- Molded on polarity keys available in selective positions
- Closed end construction
- Modular tooling allows customized designs

TS-0632-05
Sheet 1 of 2

46

Physical

Insulation

Material: Glass Filled Polyester (PBT)

Flammability: UL 94V-0

Color: Gray

Contact

Material: Copper Alloy

Plating

Underplate & U-Slot: 100 μ " [2.54 μ m] Nickel — QQ-N-290, Class 2

Wiping Area: 30 μ " [0.76 μ m] Gold — MIL-G-45204, Type II, Grade C

Wire Accommodation: 26 & 28 AWG Solid or Stranded

Marking: 3M Logo, Part Identification Number and Orientation Triangle

Electrical

Current Rating: 1 A

Insulation Resistance: $> 1 \times 10^9 \Omega$ at 500 Vdc

Withstanding Voltage: 1000 Vrms at Sea Level

Environmental

Temperature Rating: -55°C to $+105^\circ\text{C}$

UL File No.: E86982

3M Electronic Products Division 3 19F ■ 9035312 0004319 436 ■

<http://www.3M.com/interconnects/>

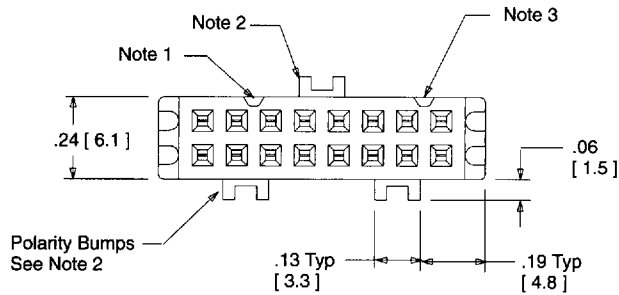
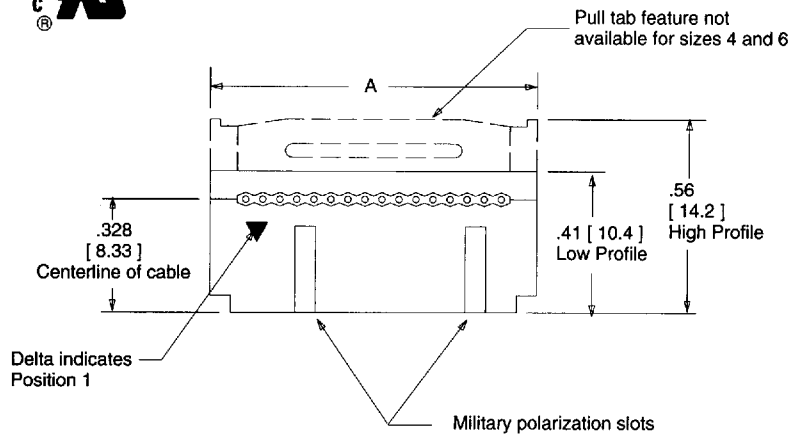
122

For technical, sales or ordering information call
800-225-5373

.100" × .100" Molded Socket .050" Pitch Cable

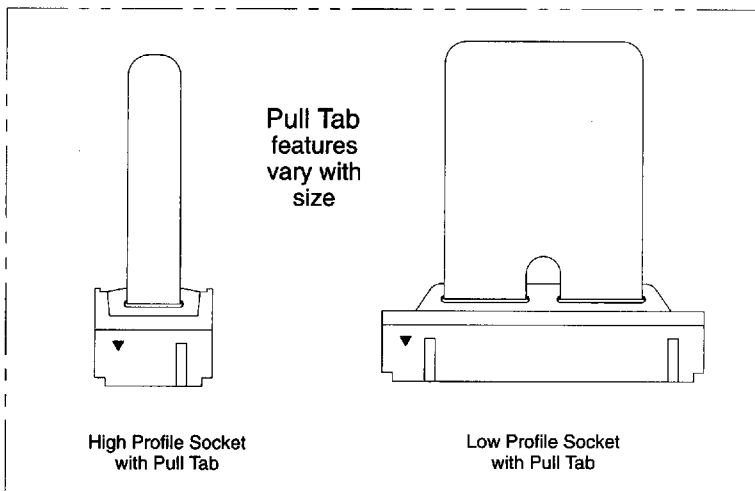
871 Series

Contact Quantity	Dimension A
6	.48 [12.2]
8	.58 [14.7]
10	.68 [17.3]
12	.78 [19.8]
14	.88 [22.4]
16	.98 [24.9]
20	1.10 [30.0]
24	1.38 [35.1]
26	1.48 [37.6]
30	1.68 [42.7]
34	1.88 [47.8]
36	1.98 [50.3]
40	2.18 [55.4]
50	2.68 [68.1]
60	3.18 [80.8]
64	3.38 [85.9]



Notes:

1. This polarization slot is nonexistent on sizes 6, 8, 10, 12 and 14.
2. Optional centerbump polarity feature.
3. This polarization slot is nonexistent on sizes 6 and 8.



Tolerance Unless Noted			
	.0	.00	.000
Inch	± .1	± .01	± .005

[] Dimensions for Reference only

Ordering Information

871XX-XXX0

Contact Quantity
See table

Profile
1 = .41" [10.4] (Low Profile)
3 = .56" [14.2] (High Profile)

Polarization:
0 = Military Polarization Slots
6 = Centerbump and Military
9 = Dual Bump and Military

Features
0 = Without Pull Tab
5 = With Pull Tab

TS-0632-05
Sheet 2 of 2