

.098" (2.50mm) 2502 SERIES CRIMP TERMINAL HOUSING

SPECIFICATION

- * Current Rating:
3 A
- * Withstanding Voltage:
1000 VAC (1 min.)
- * Insulation Resistance:
1000 MΩ min.
- * Contact Resistance:
20 mΩ max.
- * Operating Temperature:
-40°C to +85°C

MATERIAL

- * Terminal: Phosphor Bronze,
Tin Plate
- * Housing: NYLON 66
- * Wafer: Brass, 0.64mm Square
Pin, Tin plate

ORDER INFORMATION

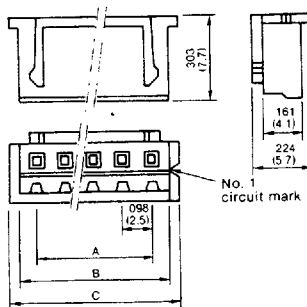
Housing
H2502 — XX
|
No. of Contact
2~20

Terminal
T2502

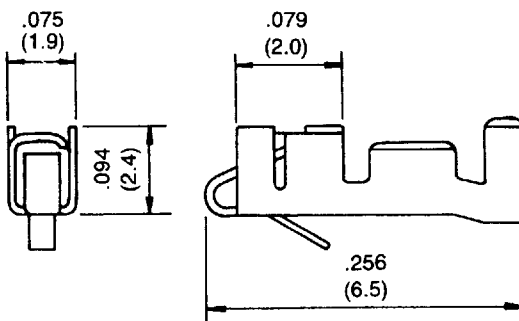
Wafer
P2502 — X — XX
|
Style
1: Straight
2: Right Angle
|
No. of Contact
2~20

Specifications are subject to change without notice

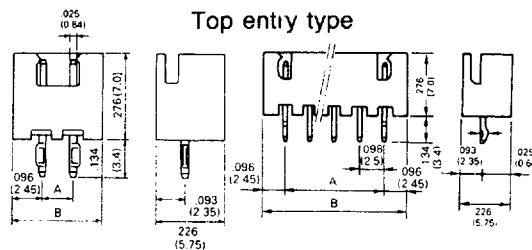
HOUSING



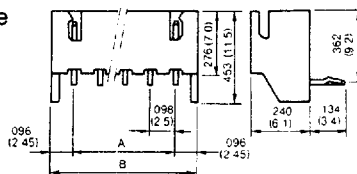
TERMINAL



BASE POST ASSEMBLY



Side entry type



HOUSING

POS	A	B	C
2	2.5	5.7	7.3
3	5.0	8.2	9.8
4	7.5	10.7	12.3
5	10.0	13.2	14.8
6	12.5	15.7	17.3
7	15.0	18.2	19.8
8	17.5	20.7	22.3
9	20.0	23.2	24.8
10	22.5	25.7	27.3
11	25.0	28.2	29.8
12	27.5	30.7	32.3
13	30.0	33.2	34.8
14	32.5	35.7	37.3
15	35.0	38.2	39.8
20	47.5	50.7	52.3

WAFER

POS	A	B
2	2.5	7.4
3	5.0	9.9
4	7.5	12.4
5	10.0	14.9
6	12.5	17.4
7	15.0	19.9
8	17.5	22.4
9	20.0	24.9
10	22.5	27.4
11	25.0	29.9
12	27.5	32.4
13	30.0	34.9
14	32.5	37.4
15	35.0	39.9
20	47.5	52.4