

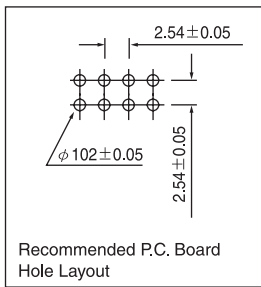
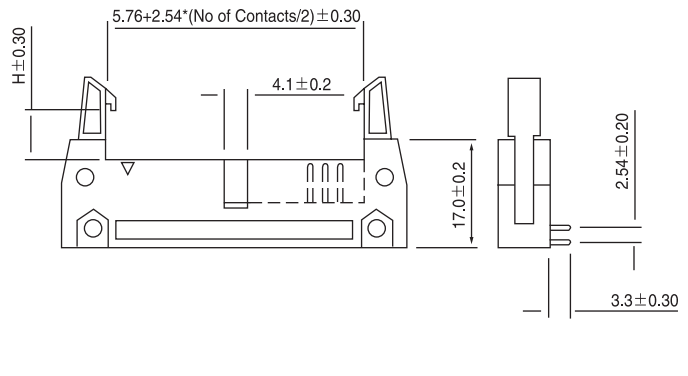
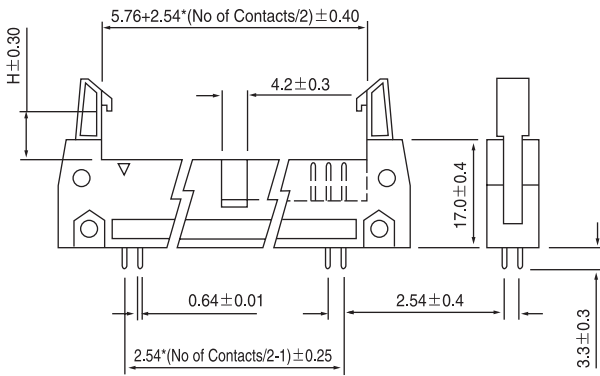
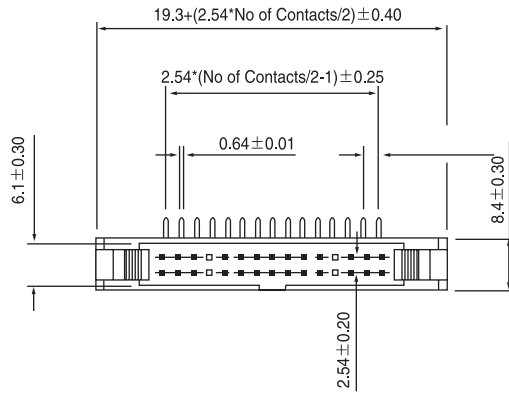
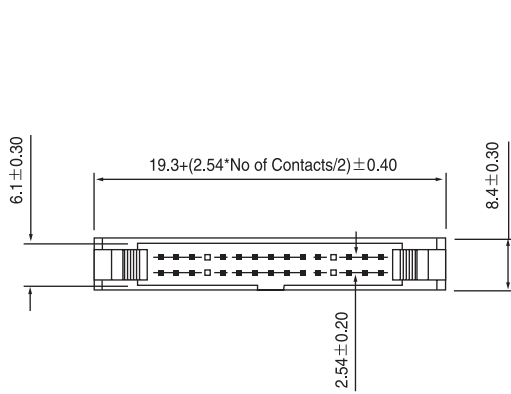
254 IDCL CONNECTOR SYSTEM

.100"x.100" (2.54x2.54mm) Header with latch



CURRENT RATING : 3A
 WITHSTANDING VOLTAGE : 500VAC(1 MIN)
 INSULATION RESISTANCE : 1000 MEGOHMS MIN.
 CONTACT RESISTANCE : 30 MILLIOHMS MAX
 OPERATION TEMPERATURE : -40°C TO+85°C

CONTACT: BRASS, 0.64MM SQUARE POST
 INSULATOR: PBT & 30% G.F.
 PLATING: GOLD



Style	H
01	7.8
02	4.3

254 IDCL - X - XX - XXX

V180°	Style	No. of pos
R 90°	01	010 030
	02	012 034
		014 040
		016 050
		020 060
		026 064