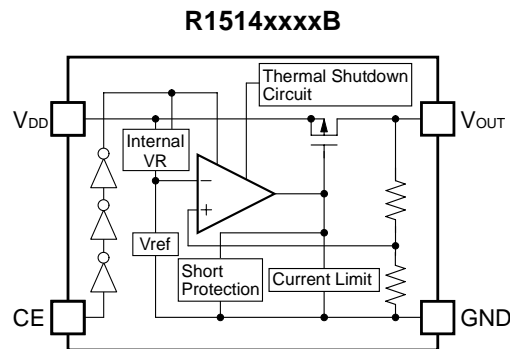


The R1514x Series are CMOS-based voltage regulators featuring 150mA output current and 36V input voltage. In addition to a fold-back protection circuit built into conventional regulators, R1514x contains a thermal shutdown circuit. Besides the low supply current by CMOS, the operating temperature is -40°C to 105°C and the maximum input voltage is 36V, the R1514x series are very suitable for power source of car accessories.

FEATURES

- Supply Current (I_{SS}) Typ. 9 μ A ($V_{IN}=\text{SET } V_{OUT}+3\text{V}$)
- Standby Current ($I_{standby}$) Typ. 0.1 μ A ($V_{IN}=36\text{V}$, CE="L")
- Dropout Voltage (V_{DIF}) Typ. 0.2V ($I_{OUT}=20\text{mA}$, $V_{OUT}=5.0\text{V}$)
- Input Voltage Range (V_{IN}) 4V to 36V (Absolute maximum rating: 50V)
- Output Voltage Range (V_{OUT}) 2.0V to 12.0V (internally fixed)
- Output Voltage Accuracy $\pm 2\%$
- Temp. coeff. of Output Voltage Typ. $\pm 100\text{ppm}/^\circ\text{C}$
- Line Regulation Typ. 0.05%/V
- Fold-back Protection Circuit Current limit Typ. 50mA
- Thermal Shutdown Circuit Stops at Typ. 150°C.
- Package SOT-89-5, HSOP-6J
- Ceramic capacitors can be used. ...0.1 μ F to 10 μ F or more

BLOCK DIAGRAM



SELECTION GUIDES

Package	Quantity per Reel	Part No.
SOT-89-5	1,000 pcs	R1514HxxxB-T1-F
HSOP-6J	1,000 pcs	R1514SxxxB-E2-F

xxx : Specify the output voltage within the range 2.0V (020) to 12.0V (120) in 0.1V steps

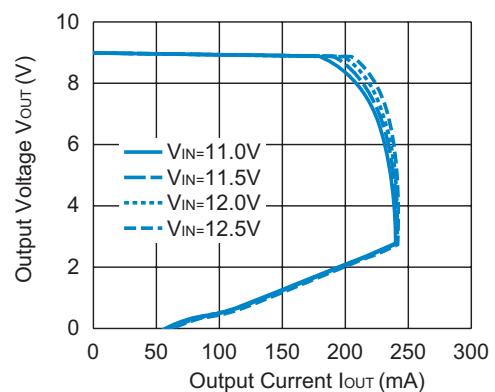
PACKAGES (Top View)

SOT-89-5		HSOP-6J	
1	V_{OUT}	1	V_{OUT}
2	GND*	2	GND*
3	CE	3	CE
4	GND*	4	GND*
5	V_{DD}	5	GND*
		6	V_{DD}

*) The GND pin must be wired together when it is mounted on board

TYPICAL CHARACTERISTIC

R1514x090B Output Voltage vs. Output Current



APPLICATIONS

- Power source for home appliances such as refrigerators, rice cookers, electric water warmers, etc
- Power source for car audio equipment, car navigation systems, ETC systems, etc
- Power source for laptop personal computers, digital TVs, cordless phones, and private LAN systems for home, etc
- Power source for office equipment machines such as copiers, printers, facsimiles, scanners, projectors, etc

● Voltage Regulator with 150mA Output and 36V Input Voltage

MAXIMUM INPUT VOLTAGE 36V

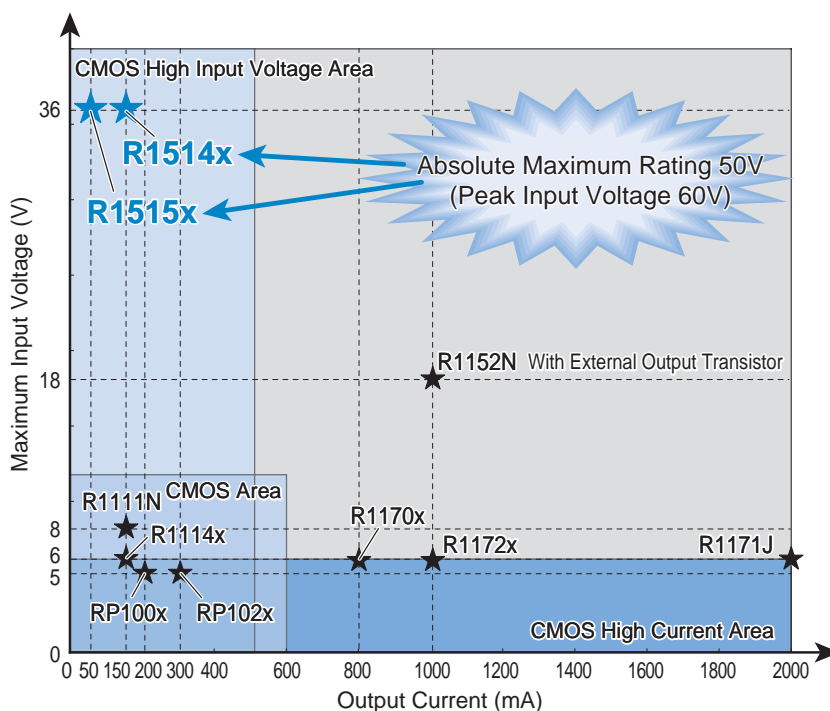
The CMOS type regulator has been introduced into the high input voltage area where only bipolar type could previously operate.
The R1514x Series have achieved the absolute maximum rating as high as 50V (peak input voltage: 60V < 200ms).

LOW SUPPLY CURRENT DURING OPERATION: 9μA

This value represents the world's lowest supply current of regulators with an input voltage of 36V.
A battery saving system can be built, because the supply current is low in the operating mode as well as in standby mode.

MAXIMUM OPERATING AMBIENT TEMPERATURE 105°C

Unlike Ricoh's conventional regulators, the operating ambient temperature range of the R1514x Series is rated from -40°C to 105°C that makes it suitable for use in automotive and industrial applications involving higher operating temperatures.



Thermal Shutdown Circuit

The Thermal Shutdown Circuit shown in the block diagram detects an increase in temperature, stops operation, and protects the regulator from being damaged by a short circuit of the output pin (V_{OUT}) and ground pin (GND).
The Thermal Shutdown Circuit stops operation of the regulator when the junction temperature of the regulator exceeds 150°C. Moreover, when the junction temperature decreases to a level below 125°C after the regulator has stopped, the regulator resumes to normal operation.
As a result, the operation of the Thermal Shutdown Circuit causes the regulator repeatedly to turn OFF and ON till the causes of overheating are removed. As a consequence, a pulse shaped output voltage occurs. Care should be taken to prevent this situation.
In the datasheet it is shown as a thermal shutdown detection temperature (T_{TSD}) and a thermal shutdown release temperature (T_{TSR}).

Products with a built-in Thermal Shutdown Circuit

R1150H	R1154x	R1170x	R1171x	R1172x	R1173x	R1190x	R1191x	R1500x	R1501x
R1514x	R1515x	RP131x	RP170x	RP171x					

Ricoh Co.,LTD. Electronic Devices Company



■ Ricoh presented with the Japan Management Quality Award for 1999.
Ricoh continually strives to promote customer satisfaction, and shares the achievements of its management quality improvement program with people and society.



■ Ricoh awarded ISO 14001 certification.
The Ricoh Group was awarded ISO 14001 certification, which is an international standard for environmental management systems, at both its domestic and overseas production facilities. Our current aim is to obtain ISO 14001 certification for all of our business offices.



Ricoh completed the organization of the Lead-free production for all of our products. After Apr. 1, 2006, we will ship out the lead free products only.
Thus, all products that will be shipped from now on comply with RoHS Directive.

<http://www.ricoh.com/LSI/>

RICOH COMPANY,LTD.
ELECTRONIC DEVICES COMPANY
● Shin-Yokohama Office(International Sales)
3-2-3, Shin-Yokohama, Kouhoku-ku, Yokohama City, Kanagawa 222-8530, Japan
Phone +81-45-477-1697 FAX +81-45-477-1694