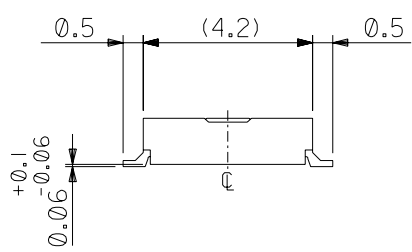
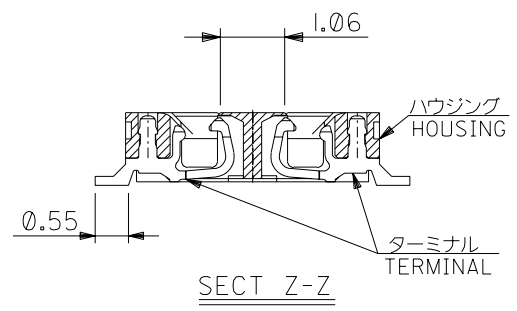
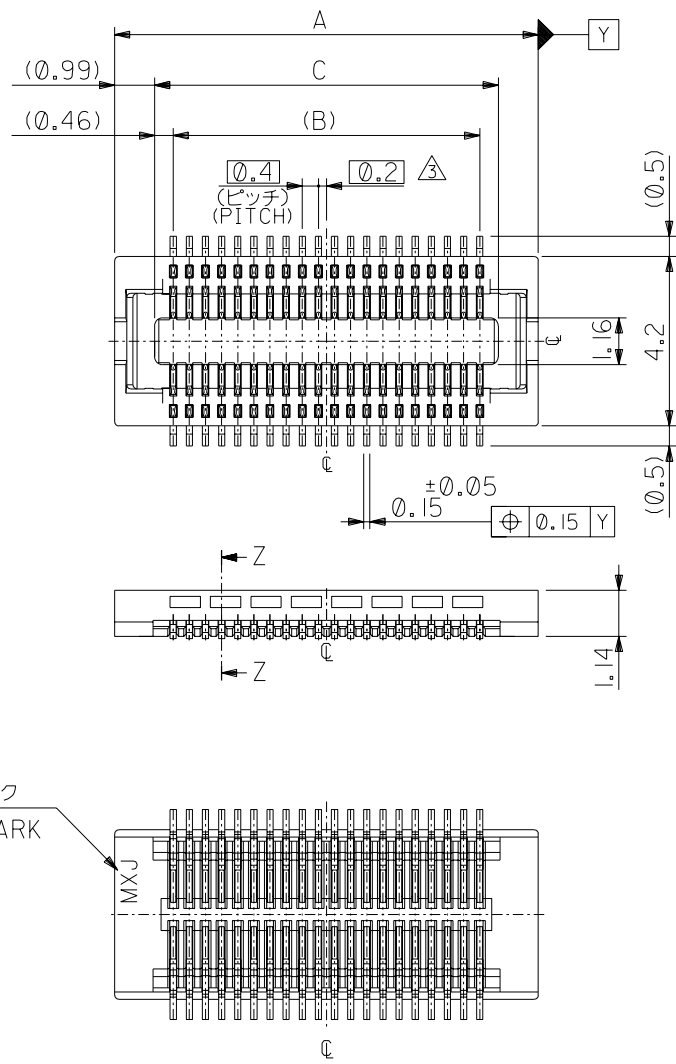


DWG. NO. SD-54796-003



18.52	17.6	20.5	54796-0901	90
16.52	15.6	18.5	54796-0801	80
12.52	11.6	14.5	54796-0601	60
10.52	9.6	12.5	54796-0501	50
8.52	7.6	10.5	54796-0401	40
C	B	A	MATERIAL NO.	Ck+

DO NOT SCALE DRAWING

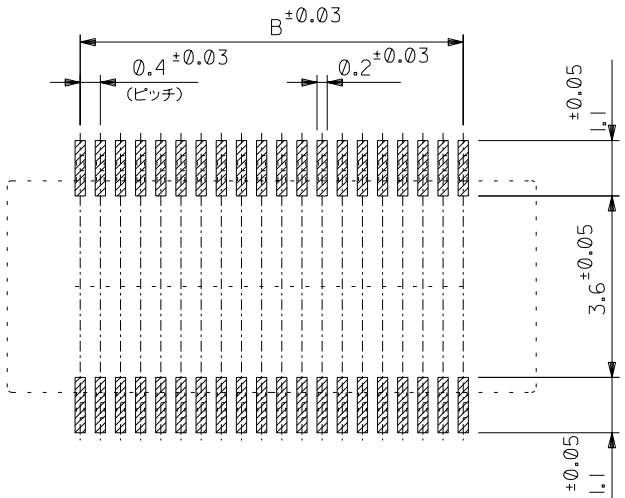
REVISED '02/04/03 #64NO. J2002-2503 DRWN: T.KAIHO CHK: T.IITO APPR: TO.YAMAGUCHI	REVISED '01/17/16 #63NO. J2002-0086 DRWN: K.MURAKAMI CHK: S.AIHARA APPR: M.SASAO	REVISED '00/11/6 #62NO. JC2001-0347 DRWN: R.TAKEUCHI CHK: T.IITO APPR: M.FUKUSHIMA	REVISED #61NO. JC2001-0205 DRWN: S.AIHARA'00/9/25 CHK: T.IITO APPR: M.FUKUSHIMA	PROPOSED #60NO. JC2000-0797 DRWN: S.AIHARA'00/5/31 CHK: T.IITO APPR: M.FUKUSHIMA
D	C	B	A	0

MATERIAL 材料	SHEET 2 OF 2 参照 SEE SHEET 2 OF 2
FINISH 仕上げ	//
WIRE RANGE 適用線径範囲	//
INS. RANGE 被覆外径	//

GENERAL TOLERANCES: (UNLESS SPECIFIED) 一般公差	SCALE 1/1	DESIGN UNITS ①mm □INCH
10 UNDER 未満	±0.2	DRAWN BY & DATE S.AIHARA '00/5/30 CHECKED BY & DATE T.IITO '02/04/03 APPROVED BY & DATE TO.YAMAGUCHI '02/04/03
10 OVER 30 UNDER 未満	±0.25	
30 OVER 以上	±0.3	
ANGLE 角度	±3°	

MODEL NO. 54796-***1	DIMENSIONS: ①mm □INCH ②mm ONLY	SHT 2	REV 2
TITLE: 0.4 B-To-B Conn Rec Assy WITHOUT NAIL (Hg+=1.5)			
MOLEX INCORPORATED			
MATERIAL NO. SEE CHART	DRAWING NO. SD-54796-003	SHEET NO. 1 OF 2	SIZE B
THIS DRAWING CONTAINS INFORMATION THAT IS PROPRIETARY TO MOLEX INCORPORATED AND SHOULD NOT BE USED WITHOUT WRITTEN PERMISSION.			

DWG. NO. SD-54796-003



参考基板レイアウト (マウント面)
P.C.BOARD PATTERN DIMENSION. (REFERENCE)
(MOUNTING AREA)

注記 NOTES:

1. 使用材料 MATERIAL
ハウジング:液晶ポリマー ガラス充填 UL94V-0 (黒)
HOUSING:LIQUID CRYSTAL POLYMER(GLASS FILLED)
UL94V-0 (COLOR:BLACK)
ターミナル:リン青銅 (t=0.15)
TERMINAL:PHOSPHOR BRONZE(t=0.15)
2. メッキ仕様 PLATING
ターミナル TERMINAL
金メッキ 0.25マイクロメートル以上 (コンタクト部)
GOLD 0.25MICROMETER MINIMUM (CONTACT AREA)
金メッキ 0.4マイクロメートル以下 (テール部)
GOLD 0.4MICROMETER MAXIMUM (TAIL AREA)
下地メッキ:ニッケルメッキ1.5マイクロメートル以上
UNDER PLATING : NICKEL 1.5MICROMETER MINIMUM
△ (全極数/2) = 偶数の場合に適用。
APPLY FOR (CIRCUIT/2)=EVEN.
4. 嵌合相手: 55622-***I
MATE WITH : 55622-***I
5. テール平坦度は、0.08以下
TAIL COPLANARITY TO BE 0.08MAXIMUM

DO NOT SCALE DRAWING

REVISED '02/04/03 #64NO. J2002-2503 DRWN: T.KAIHO CHK: T.IITO APPR: TO,YAMAGUCHI	REVISED '01/17/16 #63NO. J2002-0086 DRWN: K.MURAKAMI CHK: S.AIHARA APPR: M.SASAO	REVISED '00/11/6 #62NO. JC2001-0347 DRWN: R.TAKEUCHI CHK: T.IITO APPR: M.FUKUSHIMA	REVISED #61NO. JC2001-0205 DRWN: S.AIHARA'00/9/25 CHK: T.IITO APPR: M.FUKUSHIMA	PROPOSED #60NO. JC2000-0797 DRWN: S.AIHARA'00/5/31 CHK: T.IITO APPR: M.FUKUSHIMA
--	--	--	---	--

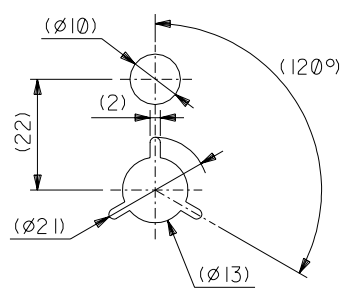
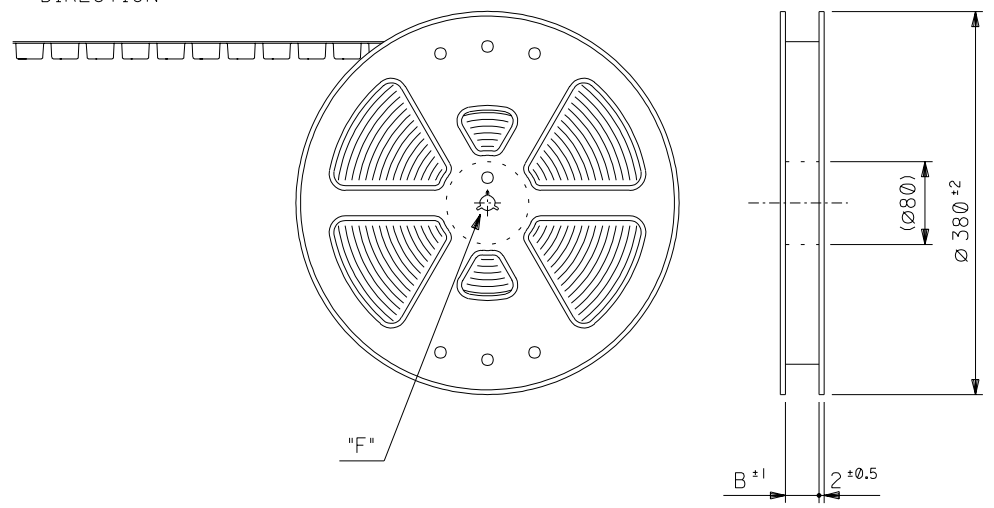
MATERIAL 材料	注記参照 SEE NOTES
FINISH 仕上げ	//
WIRE RANGE 適用層線範囲	//
INS. RANGE 被覆外径	//

GENERAL TOLERANCES: (UNLESS SPECIFIED) 一般公差	SCALE 1/1	DESIGN UNITS ① mm □ INCH
10 UNDER 未満	±0.2	
10 OVER 以上 30 UNDER 未満	±0.25	
30 OVER 以上	±0.3	
ANGLE 角度	±3°	

MODEL NO. 54796-***I	DIMENSIONS: ① mm □ INCH ② mm ONLY	SHT 2	REV B
DRAWN BY & DATE S.AIHARA '00/5/30		TITLE: 0.4 B-To-B Conn Rec Assy WITHOUT NAIL (Hgt=1.5)	
CHECKED BY & DATE T.IITO '02/04/03		MOLEX MOLEX INCORPORATED	
APPROVED BY & DATE TO,YAMAGUCHI '02/04/03		MATERIAL NO. SEE CHART	DRAWING NO. SD-54796-003
CAD FILENAME 54796003.S02		SHEET NO. 2 OF 2	SIZE B
THIS DRAWING CONTAINS INFORMATION THAT IS PROPRIETARY TO MOLEX INCORPORATED AND SHOULD NOT BE USED WITHOUT WRITTEN PERMISSION.			

DWG. NO. SD-54796-004

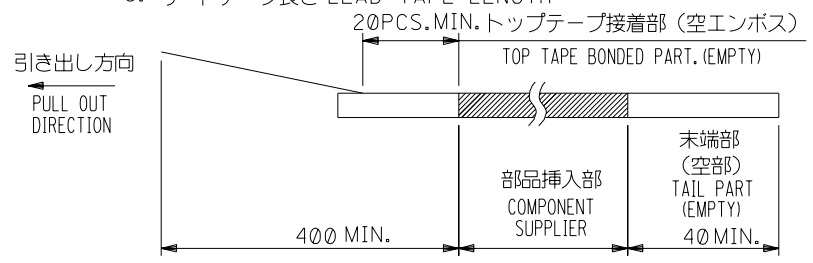
引き出し方向
PULL OUT
DIRECTION



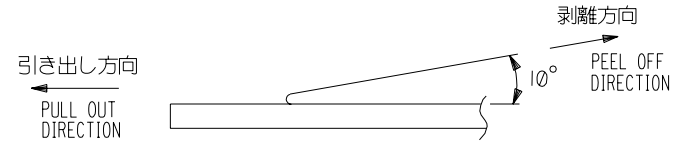
DETAIL "F"

NOTES

- 製品詳細寸法については図面 SD-54796-003 を参照下さい。
RE DETAILED DIMENSION, SEE SD-54796-003
- 梱包数量：3000個/リール
NUMBER OF CONNECTORS : 3000PCS/REEL
- リードテープ長さ LEAD TAPE LENGTH



- トップテープの剥離強度：0.1N ~ 0.7N(10.2gf ~ 71.4gf)
(剥離方向は下図参照)
尚、本規格値は出荷時に適用。(但し、輸送時に剥離が発生しないこと。)
PEELING OFF FORCE OF TOP TAPE : 0.1N ~ 0.7N(10.2gf ~ 71.4gf)
(PEELING DIRECTION AS SHOWN IN FOLLOWING FIG.)
THIS REQUIREMENT SHOULD BE APPLIED AT SHIPMENT.
PEEL OFF SHOULD NOT BE ALLOWED , DURING TRANSPORTATION.



- 材料(MATERIAL)
キャリアテープ(CARRIER TAPE)：ポリプロピレン(POLYPROPYLENE)
トップテープ(TOP TAPE)：PET , PE , PEF
リール(REEL)：ポリスチレン (PS) <リサイクル材を含む>
POLYSTYRENE(PS) <RECYCLE MATERIAL CONTAINED>

DO NOT SCALE DRAWING

64 NO. DRWN: CH'K: APPR: 63 NO. DRWN: CH'K: APPR: 62 NO. DRWN: CH'K: APPR: 61 NO. DRWN: CH'K: APPR:		REVISED '02/04/03 60 NO. J2002-2503 DRWN: T.KAIHO CH'K: T.IITO APPR: TO.YAMAGUCHI	MATERIAL 材料 注記参照 SEE NOTES	GENERAL TOLERANCES: (UNLESS SPECIFIED) 一般公差	SCALE 1:1 DESIGN UNITS <input checked="" type="checkbox"/> mm <input type="checkbox"/> INCH	MODEL NO. 54796-***8 DIMENSIONS: <input type="checkbox"/> mm <input type="checkbox"/> INCH <input checked="" type="checkbox"/> mm ONLY	SHT 1 REV 3
			FINISH 仕上げ //	10 UNDER 未満 30 UNDER 未満	±0.2 ±0.25	DRAWN BY & DATE S.AIHARA '00/5/30 CHECKED BY & DATE T.IITO '02/04/03 APPROVED BY & DATE TO.YAMAGUCHI '02/04/03	TITLE: 0.4 B-To-B Rec Assy W/O NAIL (Hgt=1.5) Embstp Pkg
			WIRE RANGE 適用層線範囲 //	30 OVER 以上 ANGLE 角度	±0.3 ±3°	MOLEX MOLEX INCORPORATED MATERIAL NO. SEE CHART DRAWING NO. SD-54796-004	SHEET NO. 1 OF 3
			INS. RANGE 被覆外径 //	THIS DRAWING CONTAINS INFORMATION THAT IS PROPRIETARY TO MOLEX INCORPORATED AND SHOULD NOT BE USED WITHOUT WRITTEN PERMISSION.			SIZE B

DWG. NO. SD-54796-004

F

D

C

B

DO NOT SCALE DRAWING

8 7 6 5 4 3 2 1

F

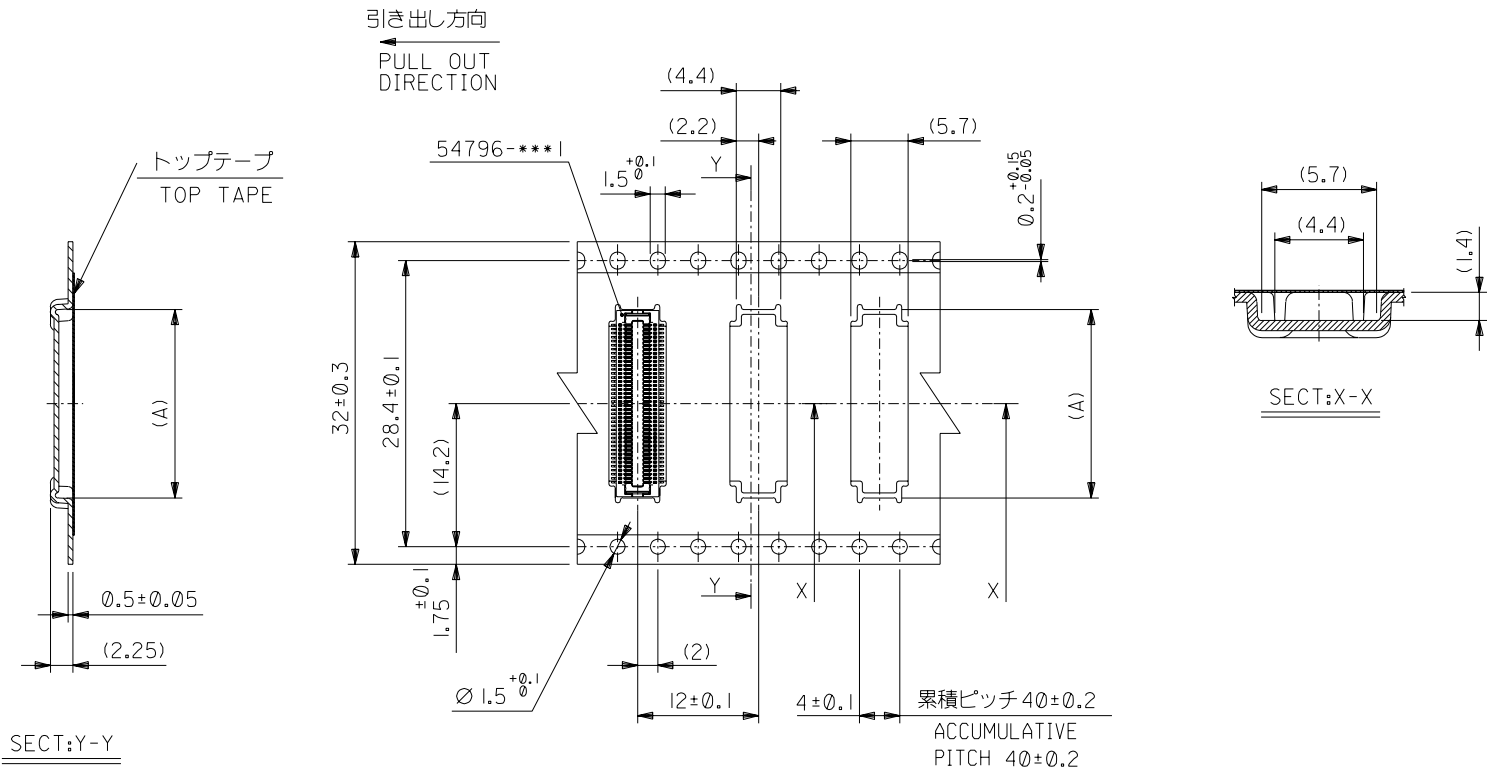
E

D

C

B

A



32mm幅キャリアテープ
32mm WIDTH CARRIER TAPE

32	33.5	20.7	54796-0908	90
		18.7	54796-0808	80
キャリアテープ幅 CARRIER TAPE WIDTH	B	(A)	MATERIAL NO.	極数 Ck+
MODEL NO.	54796-***8	DIMENSIONS:		SHT REV

64NO. DRWN: CHK: APPR:	63NO. DRWN: CHK: APPR:	62NO. DRWN: CHK: APPR:	61NO. DRWN: CHK: APPR:	REVISED '02/04/03 60NO. J2002-2503 DRWN: T.KAIHO CHK: T.IITO APPR: TO.YAMAGUCHI	MATERIAL 材料 注記参照 SEE NOTES
				FINISH 仕上げ //	GENERAL TOLERANCES: (UNLESS SPECIFIED) 一般公差
				WIRE RANGE 適用層線範囲 //	10 UNDER 未滿 ±0.2
				INS. RANGE 被覆外径 //	10 OVER 30 UNDER ±0.25
					30 OVER ±0.3
					ANGLE 角度 ±3°

SCALE	DESIGN UNITS	PROJECTION	TITLE:
///	mm <input checked="" type="checkbox"/> INCH <input type="checkbox"/>	1ST ANGLE <input checked="" type="checkbox"/> 3RD ANGLE <input type="checkbox"/>	0.4 B-To-B Rec Assy W/O NAIL (Hgt=1.5) Embstp Pkg
DRAWN BY & DATE		APPROVED BY & DATE	
S.AIHARA '00/5/30		TO.YAMAGUCHI '02/04/03	
CHECKED BY & DATE		MATERIAL NO.	
T.IITO '02/04/03		DRAWING NO.	
CAD FILENAME		SHEET NO.	
54796004.S02		3 OF 3	

MOLEX INCORPORATED SEE CHART SD-54796-004			
THIS DRAWING CONTAINS INFORMATION THAT IS PROPRIETARY TO MOLEX INCORPORATED AND SHOULD NOT BE USED WITHOUT WRITTEN PERMISSION.			
			SIZE B

8 7 6 5 4 3 2 1

F

D

V

C

B

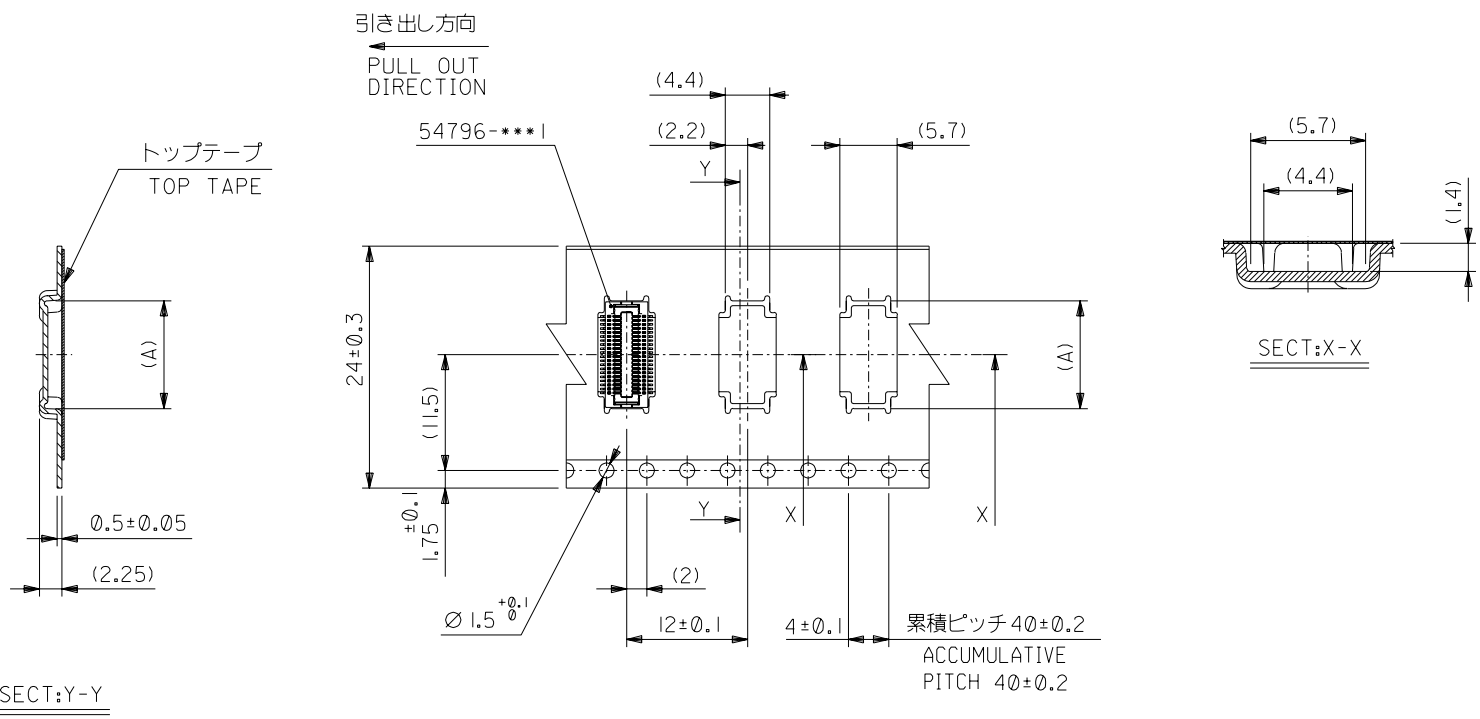
DO NOT SCALE DRAWING

REVISED '02/04/03 E64NO. J2002-2503 DRWN: T.KAIHO CHK: T.IITO APPR: TO.YAMAGUCHI	REVISED '01/7/30 E63NO. J2002-0185 DRWN: K.MURAKAMI CHK: S.AIHARA APPR: M.SASAO	REVISED '01/2/1 E62NO. JC2001-0623 DRWN: C.OKUYAMA CHK: T.IITO APPR: M.FUKUSHIMA	REVISED '00/11/6 E61NO. JC2001-0347 DRWN: R.TAKEUCHI CHK: T.IITO APPR: M.FUKUSHIMA	REVISED E60NO. JC2001-0205 DRWN: S.AIHARA '00/9/25 CHK: T.IITO APPR: M.FUKUSHIMA
--	---	--	--	--

MATERIAL 材料	注記参照 SEE NOTES
FINISH 仕上げ	//
WIRE RANGE 適用層線範囲	//
INS. RANGE 被覆外径	//

GENERAL TOLERANCES: (UNLESS SPECIFIED) 一般公差	SCALE 1/1	DESIGN UNITS mm
10 UNDER 未満 ±0.2	DRWN BY & DATE S.AIHARA '00/9/25	TITLE: 0.4 B-To-B Rec Assy W/O NAIL (Hgt=1.5) Embstp Pkg
10 OVER 30 UNDER 未満 ±0.25	CHECKED BY & DATE T.IITO '02/04/03	APPROVED BY & DATE TO.YAMAGUCHI '02/04/03
30 OVER 以上 ±0.3	CAD FILENAME 54796004.S03	MATERIAL NO. SEE CHART
ANGLE 角度 ±3°	DRAWING NO. SD-54796-004	

MODEL NO. 54796-***8	DIMENSIONS: mm INCH	SHT 2	REV B
CARRIER TAPE WIDTH 24	B 25.5	14.7 54796-0608 60	12.7 54796-0508 50
		10.7 54796-0408 40	
MATERIAL NO.		極数 Ck+	
MOLEX INCORPORATED			
DRAWING NO. SD-54796-004		SHEET NO. 2 OF 3	



24mm幅キャリアテープ
24mm WIDTH CARRIER TAPE

F

E

D

C

B

A

[English](#)[Spanish](#)[French](#)[Italian](#)[German](#)[Chinese
\(simplified\)](#)[Japanese](#)[Korean](#)

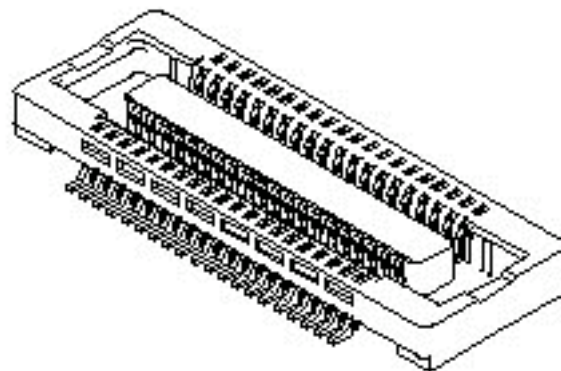
Datasheet PCB Receptacles

**0.40mm (.016") Pitch Board-to-Board SlimStack™ Receptacle, SMT, Dual Row, Vertical Stacking,
1.50mm (.059") Stacking Height 54796**

[[Home](#) > [Products](#) > [PCB Receptacles](#) > Datasheet]

[Help](#)

Status	Active	<input type="checkbox"/>
Pitch / Center Spacing	0.40mm (.016")	
Circuits / Positions	40, 50, 60, 80	
Mates With	55622	
Rows	2	
Orientation	Vertical	
PCB Mounting	Surface Mount	
PCB Locator	No	
Polarized to PCB	No	
PCB Retention	None	
Staggered Tails	No	
Housing Material	LCP Liquid Crystal Polymer, Glass-filled	
Color	Black	
Flammability	UL 94V-0	
Contact	Phosphor Bronze	
Plating Contact	Gold (Au)	
Plating Tail	Gold (Au)	
Under Plating	Nickel (Ni)	
Current-max [amps]	0.3A	
Voltage-max [volts]	50V	
Contact Resistance [ohms]	40 milliohms max.	
Withstanding Voltage	250V AC/1 min.	
Insulation Resistance [ohms]	100 Megohms min.	
Designed In	Millimeters	
Temperature Range	-25°C to +85°C	
Product Name	SlimStack™	
Packaging	Embossed Tape on Reel	
Product Specification	PS-54796-005	



Features and Benefits

- Stacking height: 1.50mm (.059")
- Sizes 40, 50, 60 and 80 circuits
- Locking feature provides secure mating
- High temperature housing
- Durable blade on beam contact interface
- Anti-flux design

[E-mail this page to a friend](#)

[© Copyright 2002 Molex Incorporated]