

SPECIFICATIONS

- Voltage Rating : 125V AC/DC
- Current Rating : 3A AC/DC
- Withstanding Voltage : 1,000V AC/minute
- Insulation Resistance : 1,000MΩ min
- Temperature Range : - 25°C to + 85°C
- Contact Resistance : 20mΩ max.

HOUSING

- Part No. : JS-2001-XX XX
① ②

① Poles:2-20

- △ ② Color:
BLANK: NATURE
BU: BLUE(660C)
R: RED(199C)
Y: YELLOW(122C)

- △ • Material : Nylon 66 UL94V-0

Poles	Dimensions (mm)		
	A	B	C
2	2.50	7.30	5.70
3	5.00	9.80	8.20
4	7.50	12.30	10.70
5	10.00	14.80	13.20
6	12.50	17.30	15.70
7	15.00	19.80	18.20
8	17.50	22.30	20.70
9	20.00	24.80	23.20
10	22.50	27.30	25.70
11	25.00	29.80	28.20
12	27.50	32.30	30.70
13	30.00	34.80	33.20
14	32.50	37.30	35.70
15	35.00	39.80	38.20
16	37.50	42.30	40.70
17	40.00	44.80	43.20
18	42.50	47.30	45.70
19	45.00	49.80	48.20
20	47.50	52.30	50.70



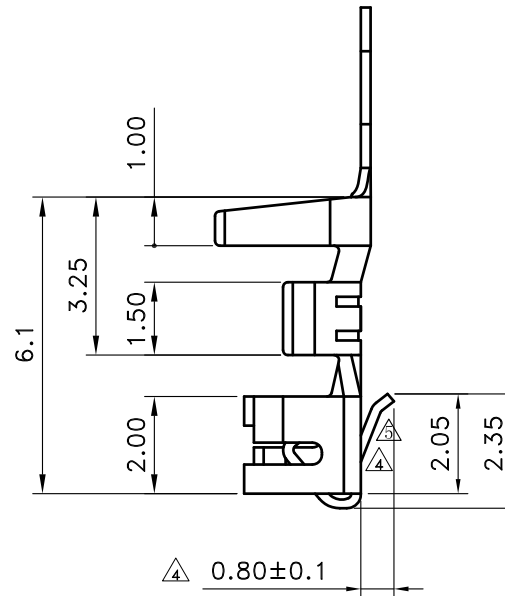
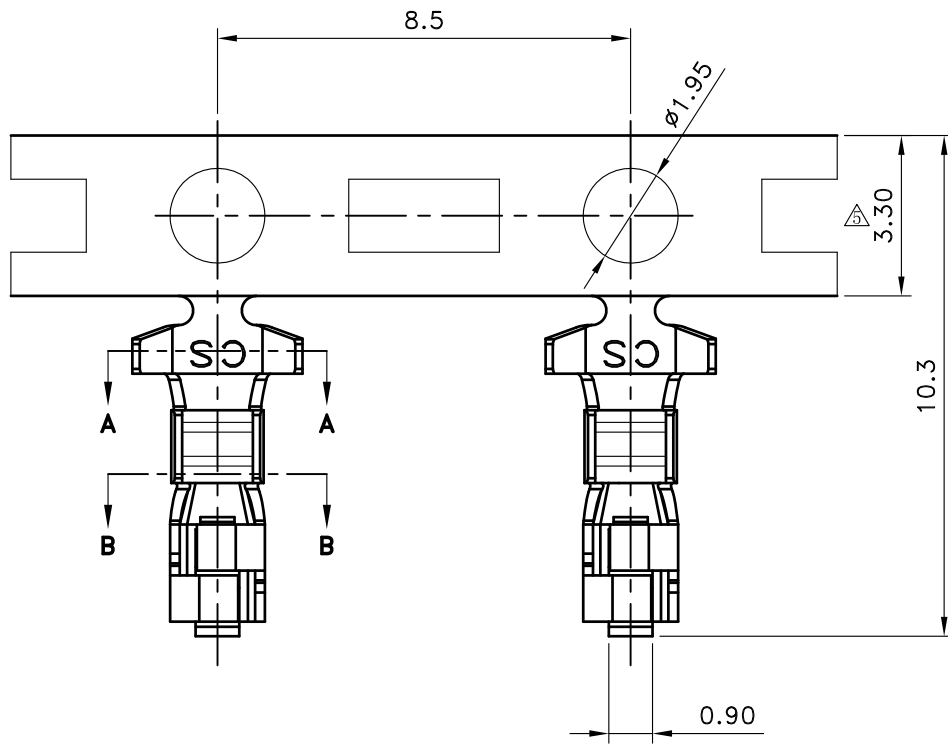
喬訊電子工業股份有限公司

CHYAO SHIUNN
ELECTRONIC INDUSTRIAL LTD.

PART NO JS-2001-XXXX

2.50mm Crimp Style Connectors Housing

APPROVED BY	SCALE	UNIT	TOLERANCE	LTR	REVISION RECORD	NAME	DATE	LTR	REVISION RECORD	NAME	DATE
張育瑞	1:1	mm	.0 ±0.30	△				△			
CHECKED BY	PROJ	VER NO.	.00 ±0.20	△	增加3D視圖	JACK	2011-08-17	△			
黃科源	⊕	a5	.000 ±0.10	△	增加CS和模號標示	JACK	2012-04-10	△			
DRAWN BY	DATE	SIZE	ANGLE		變更材質說明	JACK	2012-04-26	CUSTOMER			
周美麗	2012/07/13	A4	0° ±1°	△	Add the red type product	Jack	2012-07-13				
			.0° ±	△				Conforms to The RoHS Instruction			
			SHEET 1/1	△							



■ SPECIFICATIONS

- Current Rating : 3A AC/DC
- Withstanding Voltage : 1,000V AC/minute
- Insulation Resistance : 1,000M Ω min
- Temperature Range : - 25°C to + 85°C
- Contact Resistance : 20m Ω max

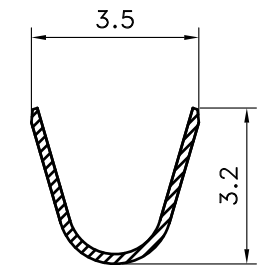
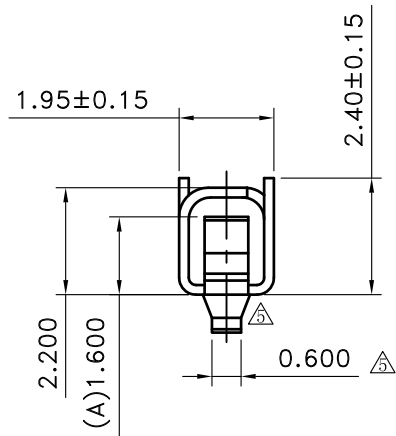
■ Feature:

• Part No. : JS-2001-TXX

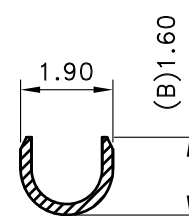
Blank:Phos. Bronze
B:Brass

Blank:Standard Plated Process
P:Stamping Befor Plated

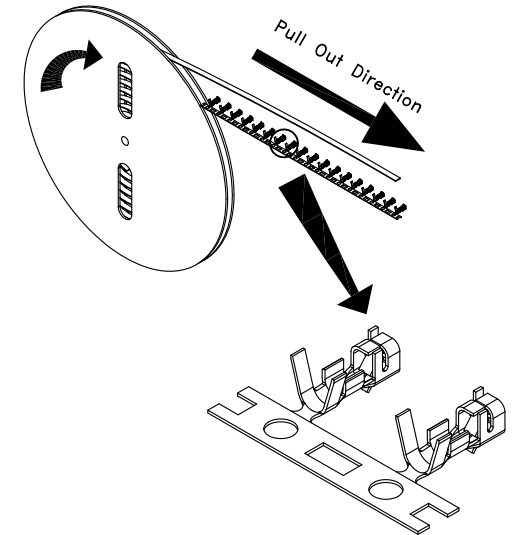
- Applicable Wires : AWG# 22 - 28
- Material : Refer the above narrative
- Finish : Tin Plated
- Thickness : 0.2mm
- Q' ty : 8,000 pcs./Reel



SECTION A-A



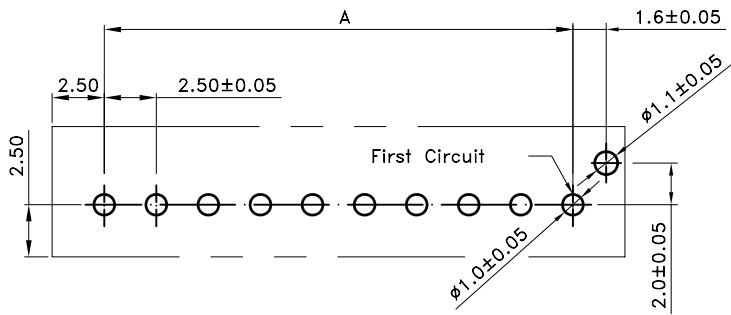
SECTION B-B



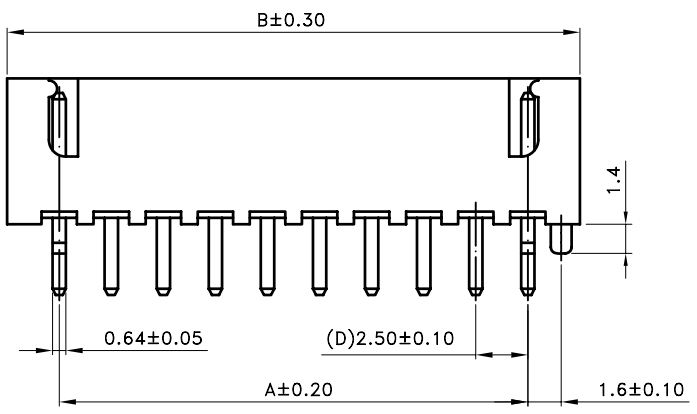
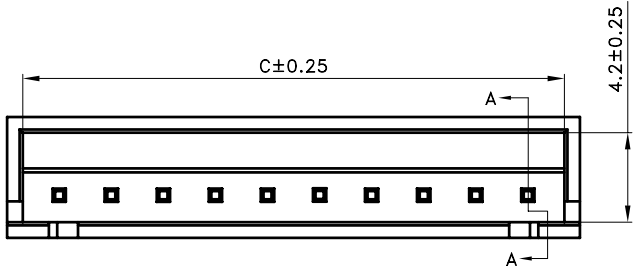
喬訊電子工業股份有限公司
CHYAO SHIUNN
ELECTRONIC INDUSTRIAL LTD.

APPROVED BY	SCALE	UNIT	TOLERANCE	LTR	REVISION RECORD	NAME	DATE	LTR	REVISION RECORD	NAME	DATE
張育瑞	N/A	mm	.0 ±0.3	△	尺寸修正	龔志紅	05/05/13	△			
CHECKED BY	PROJ	VER NO.	.00 ±0.2	△	結構修改	余秀麗	05/10/15	△			
周家庆	⊕	a5	.000 ±0.1	△	料號修改及加入3D圖檔	王誠賢	10/09/01	△			
DRAWN BY	DATE	SIZE	ANGLE		尺寸修正, 增加加強筋和凸点	朱佑武	11/03/21	CUSTOMER			
朱佑武	2012/07/02	A4	0° ±1°	△	变更卡勾结构及尺寸	朱佑武	12/07/02				
PART NO JS-2001-TXX			SHEET		1/1	Conforms to The RoHS Instruction					

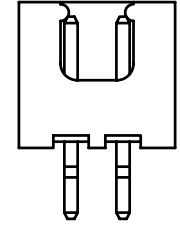
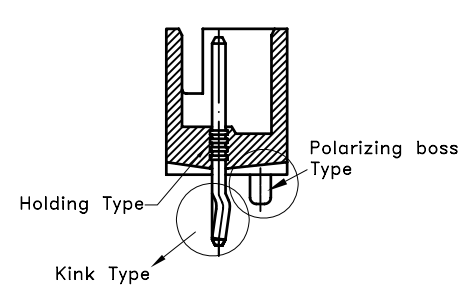
2.50mm Wire to Board Connector, Terminal



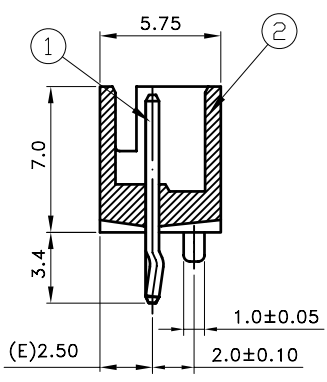
Recommended PCB Layout(Top View)



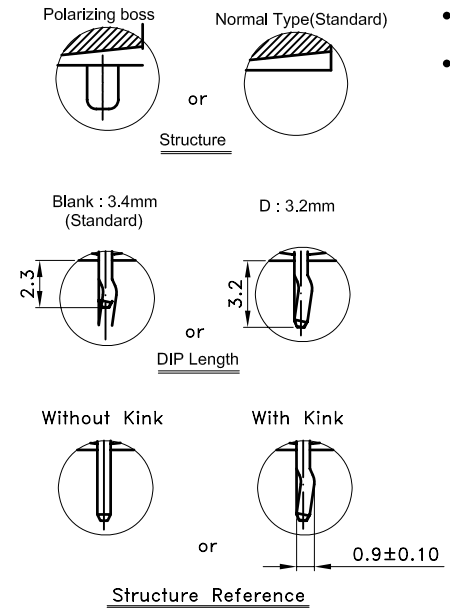
Poles	Dimension(mm)			Poles	Dimension(mm)		
	A	B	C		A	B	C
2	2.50	7.50	6.00	12	27.50	32.50	31.00
3	5.00	10.00	8.50	13	30.00	35.00	33.50
4	7.50	12.50	11.00	14	32.50	37.50	36.00
5	10.00	15.00	13.50	15	35.00	40.00	38.50
6	12.50	17.50	16.00	16	37.50	42.50	41.00
7	15.00	20.00	18.50	17	40.00	45.00	43.50
8	17.50	22.50	21.00	18	42.50	47.50	46.00
9	20.00	25.00	23.50	19	45.00	50.00	48.50
10	22.50	27.50	26.00	20	47.50	52.50	51.00
11	25.00	30.00	28.50				



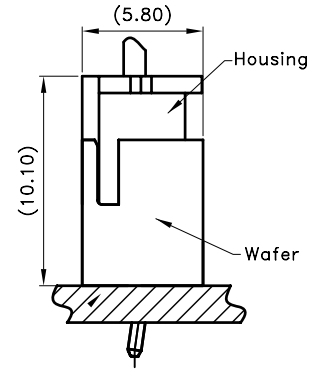
2 Circuit



A-A Section



Structure Reference



Assemble state

- SPECIFICATIONS
- Rated Voltage : 250 V AC/DC
 - Current Rating : 3A AC/DC.
 - Withstanding Voltage : 1,000V AC/minute
 - Insulation Resistance : 1,000MΩ min.
 - Temperature Range : - 25°C to + 85°C
 - Contact resistance : 20mΩ max.
- WAFER
- Part No. : JS-1001-XX X X (XX X X) XX
 - ① Poles No : 2~20
 - ② Structure1 : Blank : Normal Type(Standard)
P : Polarizing boss
 - ③ Structure2 : Blank : Normal Type(Standard)
S : Holding Type
 - ④ Plated Blank : Bright-Tin Plated
NM : Matte-Tin Plated
G : Gold Plated
 - ⑤ Kink Type: Blank : Without Kink(standard)
K : With Kink
 - ⑥ Dip Length: Blank : 3.4mm (standard)
D : 3.2mm
 - ⑦ Color : Blank : Nature
R : Red
R1 : Red(198C#)
BK : BLACK
BU : BLUE
- Material : 1. Contact : Brass
2. Base : Refer the above options
 - Package : Bag

僅供參考
Reference only

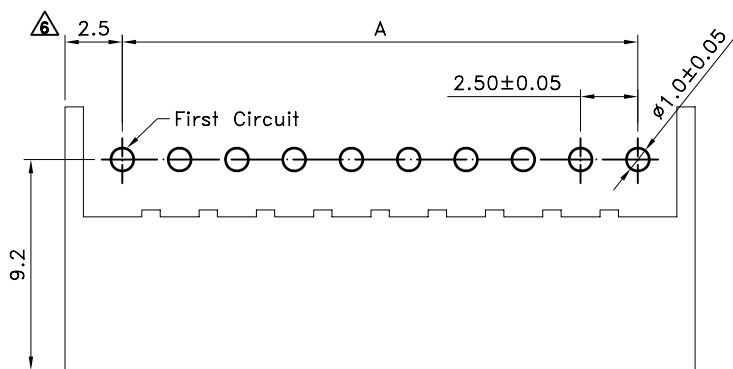
喬訊電子工業股份有限公司
CHYAO SHIUNN
ELECTRONIC INDUSTRIAL LTD.

PART NO JS-1001-XX
2.50mm Disconnectable crimp style Wafer(Straight)

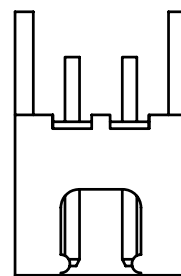
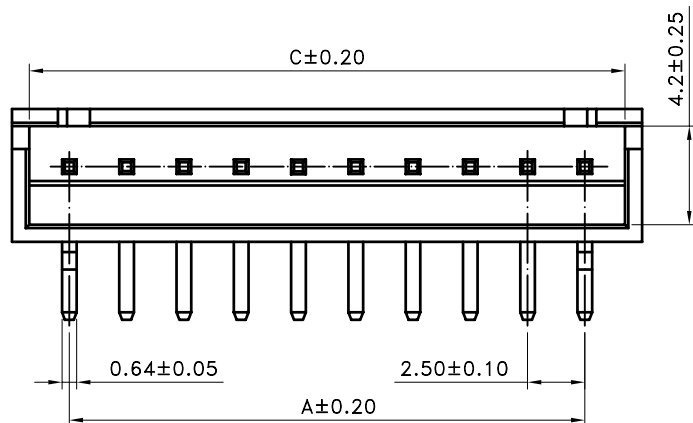
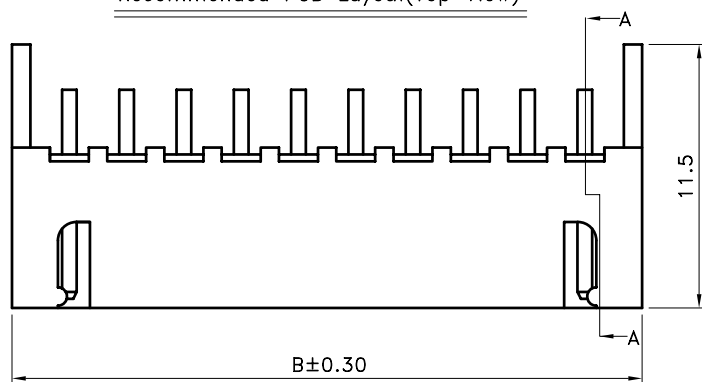
APPROVED BY	SCALE	UNIT	TOLERANCE	LTR	REVISION RECORD	NAME	DATE	LTR	REVISION RECORD	NAME	DATE
張育瑞		mm	.0 ±0.30	▲				▲	新增產品規格	周美麗	2012/12/26
CHECKED BY	PROJ	VER NO.	.00 ±0.20	▲				▲			
周家慶	⊕	a8	.000 ±0.10	▲				▲			
周美麗	2012/12/26	A4	ANGLE	▲				▲			
			0° ±1°	▲				▲			
			.0° ±	▲				▲			
			SHEET 1/1	▲	JS-1001全系列合併圖面	劉怡萱	2011/01/31				

CUSTOMER

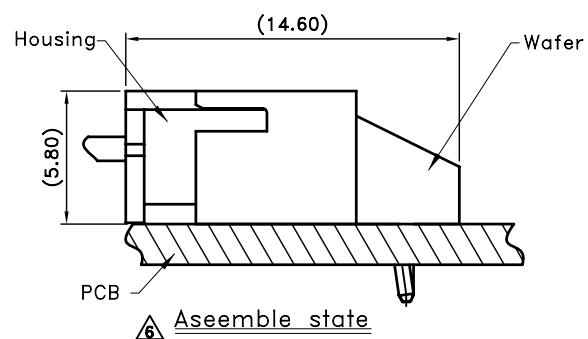
Conforms to The RoHS Instruction



Recommended PCB Layout(Top View)



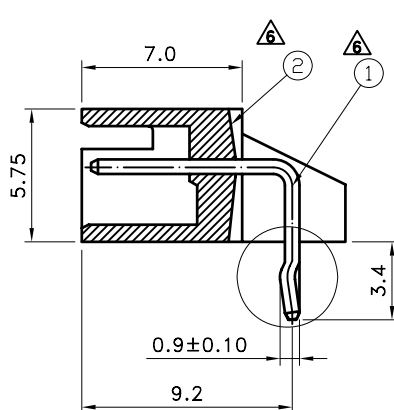
2 Circuit



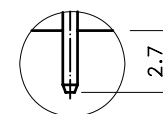
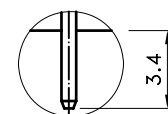
A-A Section

Blank : 3.4mm (Standard)

D : 2.7mm



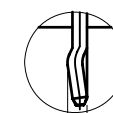
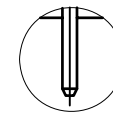
A-A Section



DIP Length

Without Kink

With Kink



Structure Reference

■ SPECIFICATIONS

- Rated Voltage : 250 V AC/DC
- Current Rating : 3A AC/DC.
- Withstanding Voltage : 1,000V AC/minute
- Insulation Resistance : 1,000M Ω min.
- Temperature Range : - 25°C to + 85°C
- Contact resistance : 20m Ω max.

■ WAFER

- Part No. : JS-1001R-XX(XXX XX X X)X
① ② ③ ④ ⑤ ⑥

- ① Poles No : 2~20 (Right Angle)
- ② Plated : Blank : Bright-Tin Plated
NMD : Matte-Tin Plated
G : Gold Over Plated
G1 : 30u" Gold Plated

- ③ Base Material : Blank : Nylon 66 UL94V-0
PA : PA46 UL94V-0

- ④ Kink Type Blank : Without Kink
K : With Kink
- ⑤ DIP Length Blank : 3.4mm
D : 2.7mm

- ⑥ Color : Blank : Nature
R : Red
R1 : Red(198C#)

- Material : 1. Contact : Brass
2. Base : Refer the above options
- Package : Bag

Poles	Dimension(mm)		
	A	B	C
2	2.50	7.50	6.00
3	5.00	10.00	8.50
4	7.50	12.50	11.00
5	10.00	15.00	13.50
6	12.50	17.50	16.00
7	15.00	20.00	18.50
8	17.50	22.50	21.00
9	20.00	25.00	23.50
10	22.50	27.50	26.00
11	25.00	30.00	28.50
12	27.50	32.50	31.00
13	30.00	35.00	33.50
14	32.50	37.50	36.00
15	35.00	40.00	38.50
16	37.50	42.50	41.00
17	40.00	45.00	43.50
18	42.50	47.50	46.00
19	45.00	50.00	48.50
20	47.50	52.50	51.00



喬訊電子工業股份有限公司
CHYAO SHIUNN
ELECTRONIC INDUSTRIAL LTD.

PART NO JS-1001R-XX(XXXXXXXX)X
2.50mm DIP series wire to board connector(Right Angle)

APPROVED BY	SCALE	UNIT	TOLERANCE	LTR	REVISION RECORD	NAME	DATE	LTR	REVISION RECORD	NAME	DATE
張育瑞		mm	.0 ±0.30	△				△	新增產品規格	周美麗	2012/12/26
CHECKED BY	PROJ	VER NO.	.00 ±0.20	△				△			
周家慶		a8	.000 ±0.10	△				△			
DRAWN BY	DATE	SIZE	ANGLE						CUSTOMER		
周美麗	2012/12/26	A4	0° ±1°	△							
			.0° ±	△	JS-1001R全系列合併圖面	劉怡萱	2011/02/14				
			SHEET 1/1	△	增加PA46選項, 增加額定電壓	吳弘文	2011/11/05		Conforms to The RoHS Instruction		