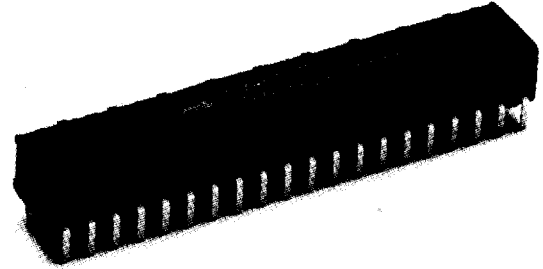
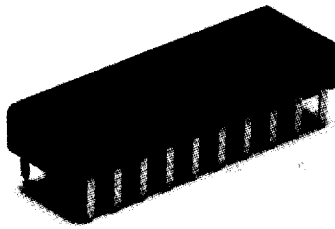


### Single and Dual Row Single Beam Horizontal Mount PCB Receptacles



#### Features:

- Interchangeable with connectors of similar design.
- .100" (2.54 mm) center line spacing.
- Mates with .025" (.65 mm) square or round pin.
- BeCu contact.
- Selective gold plating.
- Consult factory for specifications.

#### Contacts:

Copper Alloy

#### Plating:

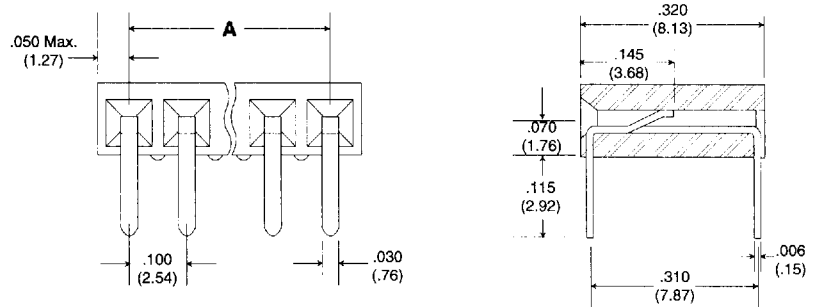
**TLG** - 30 $\mu$ " gold on mating surface,  
100 $\mu$ " tin-lead over 50 $\mu$ " minimum  
nickel over 10 $\mu$ " copper flash

#### Body Material:

High Temp. Glass Filled Thermoplastic  
Polyester (P.E.T.), U.L. Rated 94V-O,  
-60°C to 140°C (-76°F to 284°F)

#### Single Row Horizontal Mount PCB Receptacle

##### BE XXX - 115 TLG



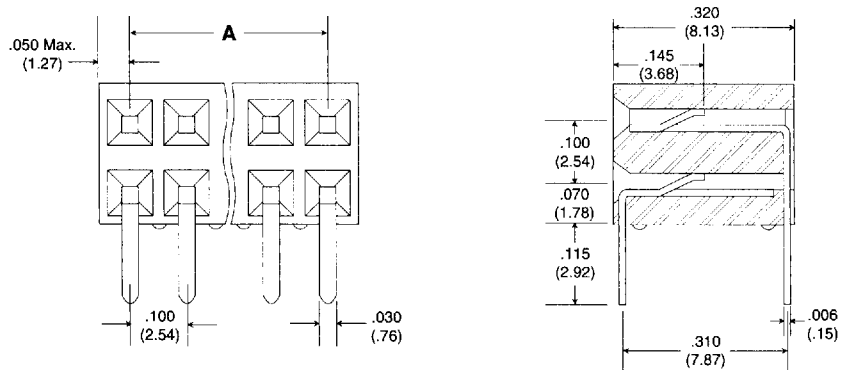
Available in lengths 2 to 50

A = Pitch .100" (2.54 mm) x Number of Terminals in Row - 1

Board to Board

#### Dual Row Horizontal Mount PCB Receptacle

##### BE XXX - 118 TLG



Available in lengths 2 to 65

A = Pitch .100" (2.54 mm) x Number of Terminals in Row - 1

#### How To Order

