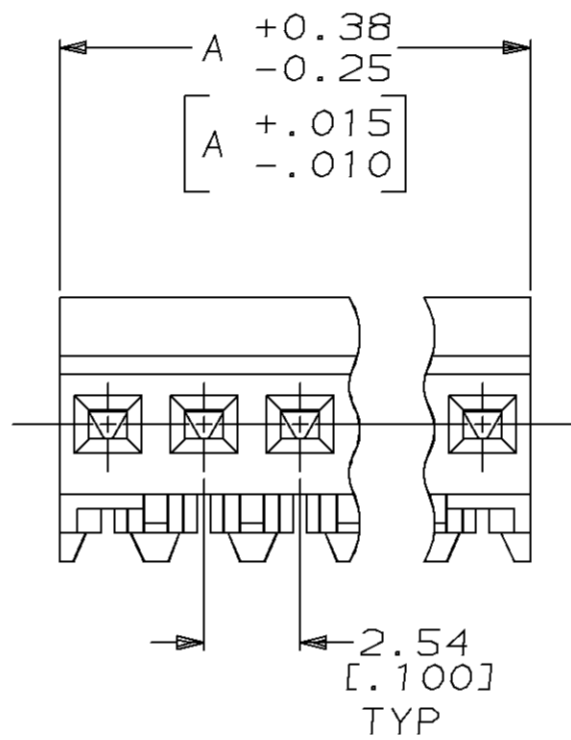
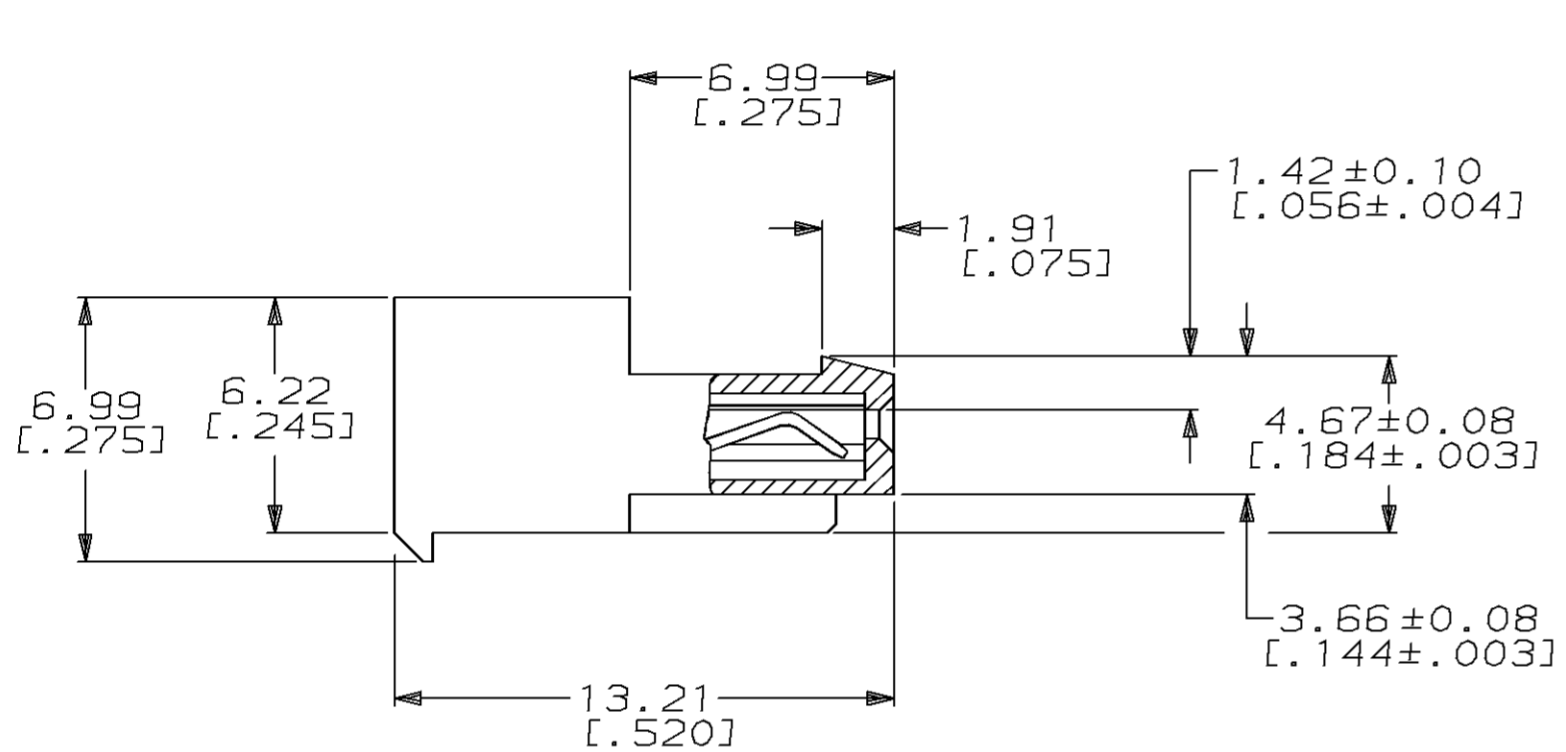
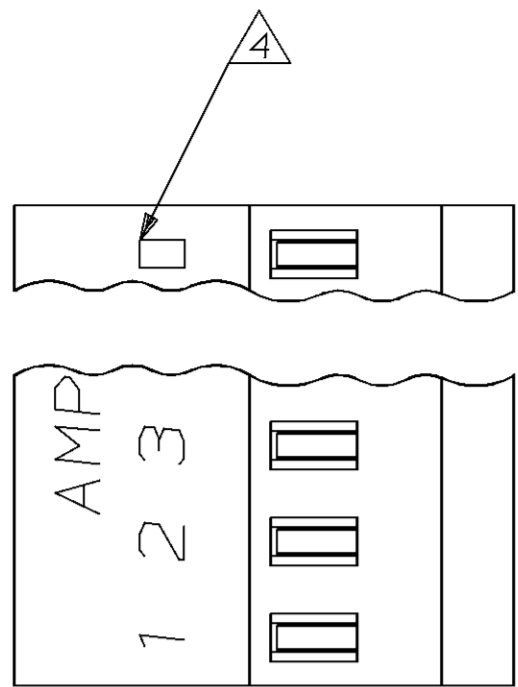


THIS DRAWING IS UNPUBLISHED. RELEASED FOR PUBLICATION, 19 .
 © COPYRIGHT 19 BY AMP INCORPORATED. ALL INTERNATIONAL RIGHTS RESERVED.

LOC	DIST	P	F	ZONE	LTR	REVISIONS	DATE	APPD
CM	54				N	REACT -11,-13,-15 THRU -28 PER EC 0730-0095-96	5-21-96	BL RS



71.12	[2.800]	28	2-641191-8
68.58	[2.700]	27	2-641191-7
66.04	[2.600]	26	2-641191-6
63.50	[2.500]	25	2-641191-5
60.96	[2.400]	24	2-641191-4
58.42	[2.300]	23	2-641191-3
55.88	[2.200]	22	2-641191-2
53.34	[2.100]	21	2-641191-1
50.80	[2.000]	20	2-641191-0
48.26	[1.900]	19	1-641191-9
45.72	[1.800]	18	1-641191-8
43.18	[1.700]	17	1-641191-7
40.64	[1.600]	16	1-641191-6
38.10	[1.500]	15	1-641191-5
35.56	[1.400]	14	1-641191-4
33.02	[1.300]	13	1-641191-3
30.48	[1.200]	12	1-641191-2
27.94	[1.100]	11	1-641191-1
25.40	[1.000]	10	1-641191-0
22.86	[.900]	9	641191-9
20.32	[.800]	8	641191-8
17.78	[.700]	7	641191-7
15.24	[.600]	6	641191-6
12.70	[.500]	5	641191-5
10.16	[.400]	4	641191-4
7.62	[.300]	3	641191-3
5.08	[.200]	2	641191-2

- △ MATERIAL: CONNECTOR - NYLON UL94V-2 (WHITE).
 CONTACTS - 0.30[.012] THICK COPPER ALLOY
 (0.00038 [.000015] GOLD)
- CONTACTS ACCEPT 24 AWG WIRE WITH 1.52[.060] MAX INSULATION DIAMETER.
 - CONTACTS MUST ACCEPT 0.64±0.03[.025±.001] SQUARE POST AND REMAIN LOCKED IN POSITION.
 - IDENTIFICATION NUMBER FOR LAST CIRCUIT MAY NOT APPEAR ON ALL ASSEMBLIES.
 - DIMENSIONS IN BRACKETS ARE IN INCHES.
 - HOUSING FEATURES ARE: CLOSED END WITH LOCKING RAMP.

DO NOT SCALE PRINT. UNLESS SPECIFIED DIMENSIONS IN mm [INCHES] TOLERANCES ON : 2 PLC DEC ± - 3 PLC DEC ± 0.13 [.005] ANGLES ± -	DR 4-22-91 B. LEWIS	AMP Incorporated Harrisburg, PA 17105-3608
	CHK 4-22-91 R. SWING	
MATERIAL △	APPD 4-22-91 G. MILLER	NAME MTA-100 CONNECTOR ASSEMBLY, 24 AWG, STANDARD
FINISH △	APPD 4-22-91 G. MILLER	SIZE CAGE CODE DRAWING NO C 00779 641191
	PRODUCT SPEC 108-1050	SCALE SHEET 5:1 1 OF 1
	APPLICATION SPEC 114-1019	
	WEIGHT -	

METRIC