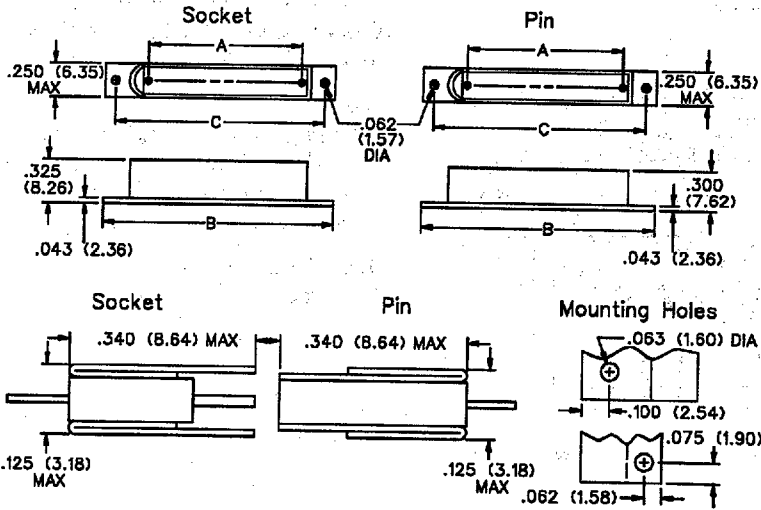


molex 1.27mm (.050") Pitch
Ulti-Mate™
S Series Strip Connector

The plastic molded body of the 50 mil strip is made to accommodate up to 120 micro contacts, however, you select the number of contacts you need up to 120. There are many options to choose from: guide pins, jackscrews, mounting holes, 6 circuit termination styles and metal shells.

SMR Metal Shells
SSR Metal Sides



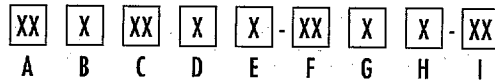
SMR
 Complete metal shells with mounting ears.

SSR
 Metal side added for shielding and strength, insulators are basic strips.

Dimensional Formula
 $A = (\text{No. of positions} - 1) \times 1.27\text{mm} (.050\text{'})$
 $B = A + 1.32\text{mm} (.052\text{'})$ overall
 $C = A + 9.27\text{mm} (.365\text{'})$ center to center of mounting holes

Optional Circuit Terminations
 Terminations are solid 24 AWG — solder or Tin dip.

ORDERING INFORMATION AND DIMENSIONS



Micro/Nano Interconnections

A	
Series	
SS	Metal sides
SM	Complete metal shell
B	
Insulator Material	
R*	Ryton [†] per MIL-M-24519 GST 40F
L	LCP
C	
Size	
Total number of contacts. 120 positions max.	
D	
Contact Type	
P	Pin crimp
S	Socket crimp
N	Pin solder cup
T	Socket solder cup

E	
Hardware (combine as required)	
0	None
1	1 guide pin (socket side) and 1 hole (pin side)
2	2 guide pins (socket side) and 2 holes (pin side)
3	1 center jackscrew (socket side) and 1 threaded hole (pin side)
4	Mounting holes at each end
5	Jackscrews at each end

F	
Wire Size	
24, 26*, 28, 30 AWG	
OR	
Circuit Termination (replaces all of above)	
L01, L02, L03, L04, L05, L06	

G	
Wire Type	
B	PVC
C	Solid Copper per QQ-W-343
E	Type "E" Teflon [‡] per MIL-W-16878/4
F	Type "ET" Teflon per MIL-W-16878/6
G	Ribbon cable per MIL-C-49055
J	Type "E" 19 strand
K	Type "ET" 19 strand
M	Teflon per MIL-W-22759/11
S	Teflon-insulated solid Copper

H	
Wire Color/Finish	
1	White
2	Yellow
3	Tin plated—solid
4	Gold plated—solid
5	Color coded per MIL-STD-681C

I	
Wire Length (3 digits)	
	18.0 (inches)
	M46 (cm)

* Indicates preferred standard

[†] Ryton is a registered trademark of Phillips Petroleum Company

[‡] Teflon is a registered trademark of E.I. DuPont de Nemours and Company

FEATURES AND SPECIFICATIONS

Reference Information

Designed In: Inches
Quality Control: Exceeds MIL-I-45208 requirements

Electrical

Current: 1.0A
Contact Resistance: 60m Ω max.
Dielectric Withstanding Voltage: 300V AC at sea level
Insulation Resistance: 5000 M Ω min.

Mechanical

Mating Force: 1.0 oz average per circuit
Unmating Force: 0.5 oz min. per circuit
Durability: 500 to 5000 cycles based on application

Additional Mechanical testing data available upon request,
contact factory

Physical

Metal Shells: Aluminum Alloy
Shell Plating: Cadmium with Yellow Chromate
Insulator Material: Ryton* or LCP
Interfacial Seals: Fluorosilicone elastomer
Hardware: Stainless steel
Pin Contact: Beryllium Copper
Socket Contact: Copper Alloy or leaded commercial Bronze
Plating: 50 μ " gold



0.64mm (.025") Pitch Ultra-Mate™ Technical Specifications

Reference Information

Designed In: Inches
Quality Control: Exceeds MIL-I-45208 requirements

Electrical

Current: 3.0A
Contact Resistance: 8m Ω max.
Dielectric Withstanding Voltage: 900V AC at sea level
Insulation Resistance: 5000 M Ω min.

Mechanical

Mating Force: 3.0 oz average per circuit
Unmating Force: 3.0 oz average per circuit
Durability: 500 to 5000 cycles based on application

Additional Mechanical testing data available upon request,
contact factory

Physical

Metal Shells: Aluminum Alloy
Shell Plating: Cadmium with Yellow Chromate
Insulator Material: Ryton* or LCP
Interfacial Seals: Fluorosilicone elastomer
Hardware: Stainless steel
Pin Contact: Beryllium Copper
Socket Contact: Copper Alloy or leaded commercial Bronze
Plating: 50 μ " gold

1.27mm (.050") Pitch