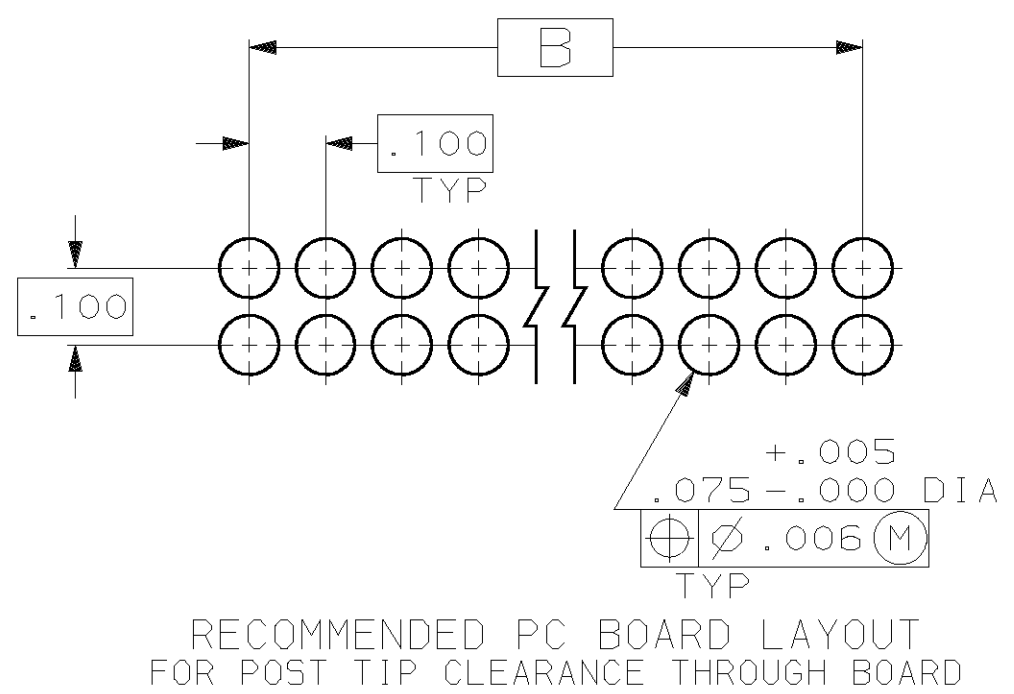
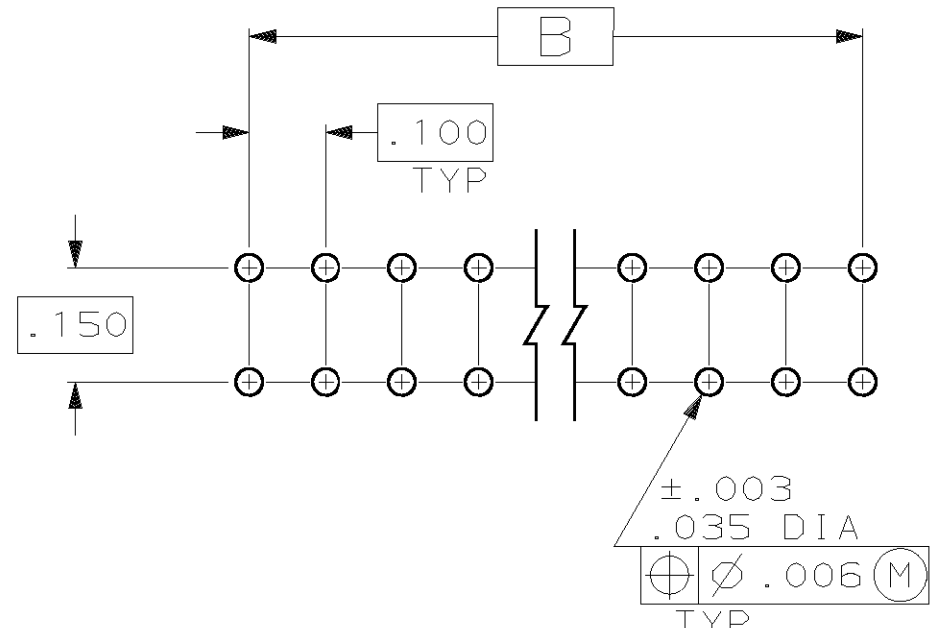
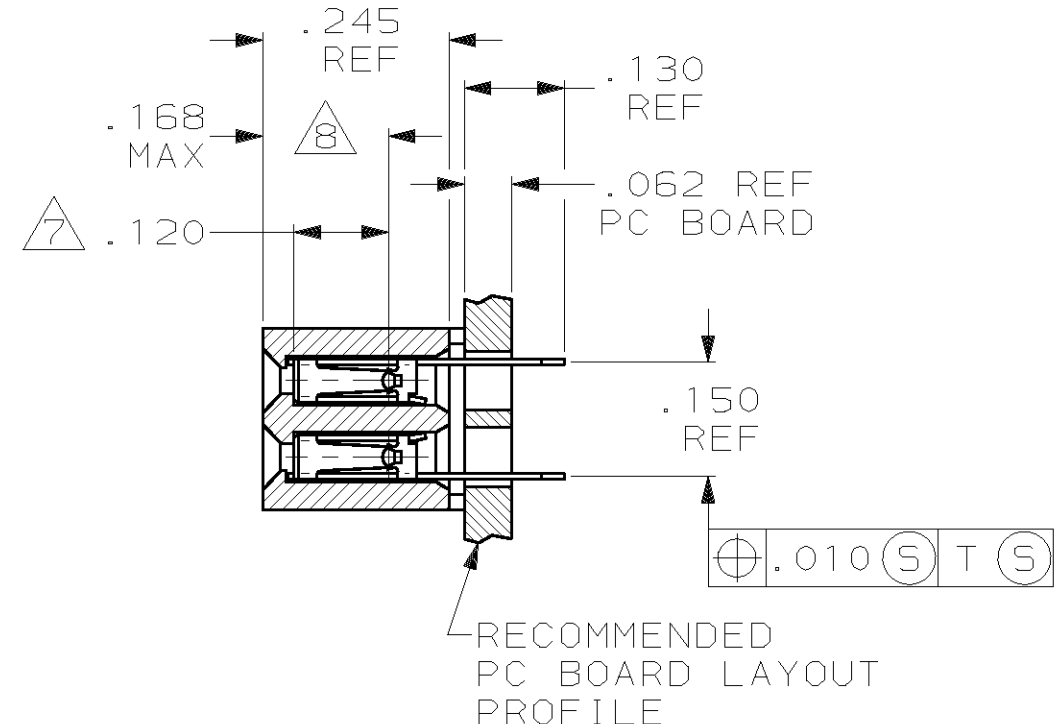
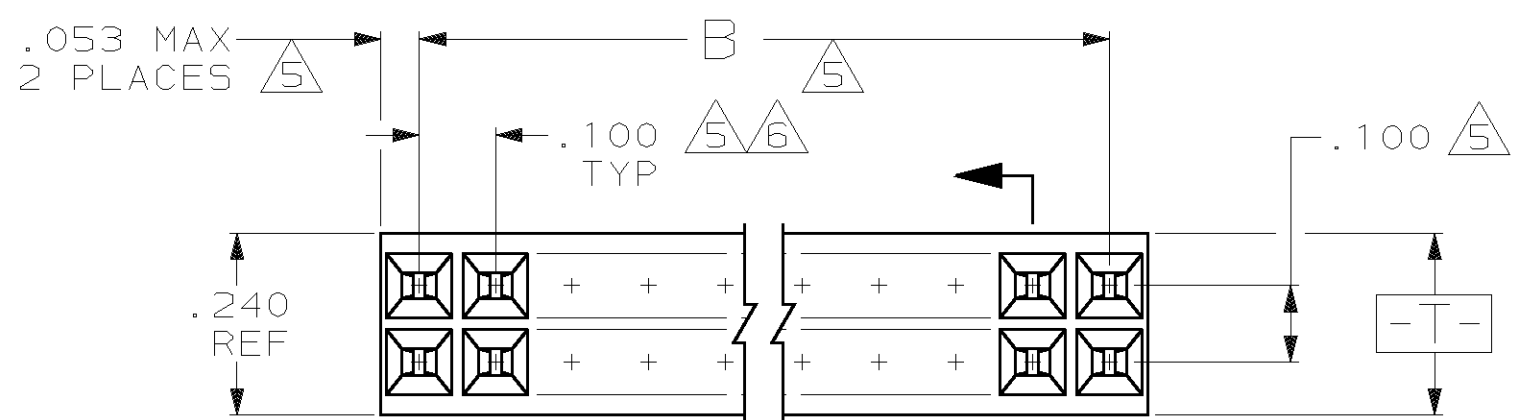
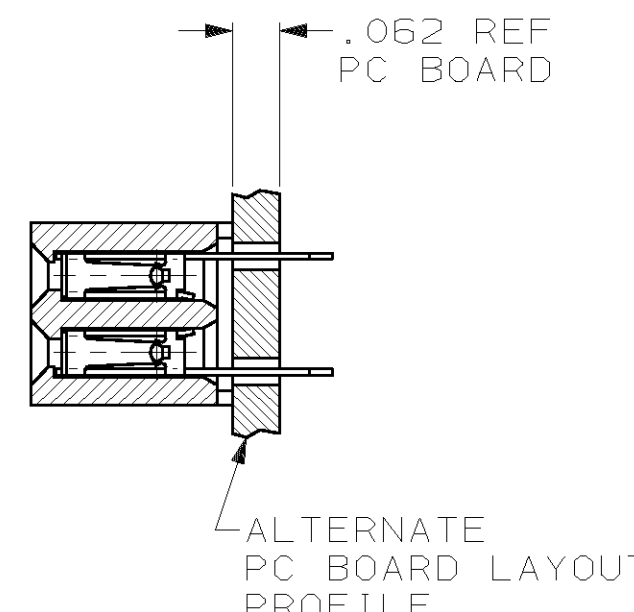
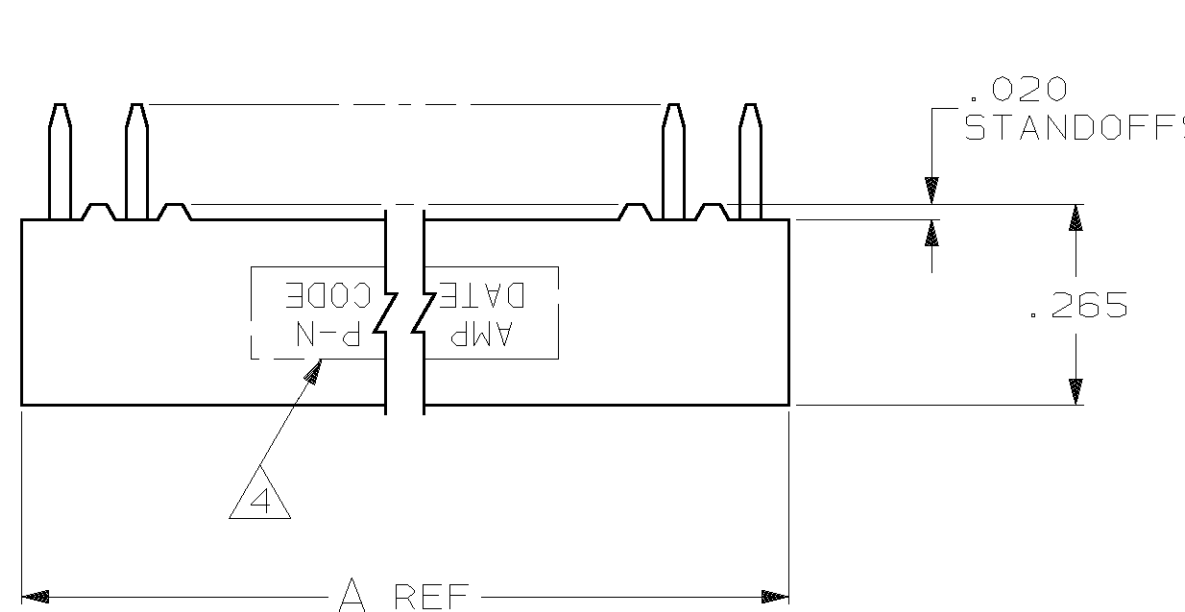


THIS DRAWING IS UNPUBLISHED. RELEASED FOR PUBLICATION .19
 © COPYRIGHT 19 BY AMP INCORPORATED. ALL INTERNATIONAL RIGHTS RESERVED.

LOC		DIST		REVISIONS				
AD	39	P	F	ZONE	LTR	DESCRIPTION	DATE	APPD
					K	REV PER 0G3C-0105-00	05APR00	JRO



- ① HOUSING: HIGH-TEMPERATURE, FLAME-RETARDANT THERMOPLASTIC; COLOR-BLACK.
- ② CONTACTS: PHOSPHOR BRONZE
- ③ DUPLEX PLATED: .000030 GOLD IN CONTACT AREA ONLY, .000100-.000200 BRIGHT TIN-LEAD ON SOLDER TINES, ALL OVER .000050 NICKEL.
- ④ AMP TRADEMARK AND CSA LOGO ARE MOLDED IN. DATE CODE AND PART NUMBER ARE HOT EMBOSSED WITH 1.57±0.38 [.062±.015] CHARACTERS AS PART SIZE PERMITS, THE ORDER AND LOCATION IS OPTIONAL.
- ⑤ THESE DIMENSIONS PERTAIN TO CAVITY CENTERLINES ONLY--NOT TO CONTACT LOCATIONS.
- ⑥ TOLERANCE IS NON-CUMULATIVE.
- ⑦ POINT-OF-MEASUREMENT DIMENSION FOR PLATING THICKNESS (INSIDE CONTACT BEAMS).
- ⑧ POINT-OF-CONTACT DIMENSION.

3.900	4.000	80	4-535576-0
3.800	3.900	78	3-535576-9
3.700	3.800	76	3-535576-8
3.600	3.700	74	3-535576-7
3.400	3.500	70	3-535576-6
3.300	3.400	68	3-535576-5
3.200	3.300	66	3-535576-4
3.100	3.200	64	3-535576-3
2.800	2.900	58	3-535576-2
2.700	2.800	56	3-535576-1
2.600	2.700	54	3-535576-0
2.500	2.600	52	2-535576-9
2.400	2.500	50	2-535576-8
2.300	2.400	48	2-535576-7
2.200	2.300	46	2-535576-6
2.100	2.200	44	2-535576-5
2.000	2.100	42	2-535576-4
1.800	1.900	38	2-535576-3
1.700	1.800	36	2-535576-2
1.600	1.700	34	2-535576-1
1.300	1.400	28	2-535576-0
1.100	1.200	24	1-535576-9
1.000	1.100	22	1-535576-8
.900	1.000	20	1-535576-7
.800	.900	18	1-535576-6
.700	.800	16	1-535576-5
.600	.700	14	1-535576-4
.300	.600	12	1-535576-3
.300	.400	8	1-535576-2
.200	.300	6	1-535576-1
.100	.200	4	1-535576-0
-	.100	2	535576-9
1.200	1.300	26	535576-8
2.900	3.000	60	535576-7
1.900	2.000	40	535576-6
3.500	3.600	72	535576-5
1.500	1.600	32	535576-4
1.400	1.500	30	535576-3
3.000	3.100	62	535576-2
.400	.500	10	535576-1
B	A	NO. OF POSN	ASSEMBLY PART NUMBER

DO NOT SCALE PRINT. UNLESS SPECIFIED DIMENSIONS IN INCHES TOLERANCES ON:		DR 11/01/88 D BIECHLER		AMP INCORPORATED Harrisburg, Pa. 17105	
2 PLC DEC ± -		CHK 11/03/88 DIRK DIXON			
3 PLC DEC ± .005		APPD 11/03/88 DIRK DIXON		NAME	
ANGLES ± -		APPD 11/03/88 K R PARMER		RECEPTACLE ASSEMBLY, MOD IV, DOUBLE-ROW, .100x.100¢, CLOSED-ENTRY, VERTICAL-MOUNTED, HIGH-TEMPERATURE	
MATERIAL		PRODUCT SPEC		SIZE	
HOUSING: ①		108-25022		FSCM NO	
CONTACTS: ②		APPLICATION SPEC		DRAWING NO	
FINISH		114-25018		C 00779	
CONTACTS: ③		WEIGHT -		SCALE 4:1	
				SHEET 1 OF 1	

- [Home](#)
- [Part Number Search](#)
- [Text Search](#)
- [Alternate Part Search](#)
- [Multiple Part Comparison](#)
- [Alphabetical Search](#)
- [Brand Search](#)
- [Industry Product Search](#)
- [Product Type Search](#)
- [Product Family Search](#)
- [Competitor Cross Reference](#)
- [Document Number Search](#)
- [Lead Free Solutions](#)
- [Help/Glossary](#)

Current Brand View	View All Tyco Electronics Brands <small>Click to activate links to all other products</small>
AMP	

AMPMODU

.100 & .150 Centerline Receptacle Assemblies, End Stackable

AMP **535576-9** -- 7 of 7 products **Active** [Active](#)

(Tyco Electronics P/N: 535576-9)

Previous	Sales Information	AMP ACES	Step Search Screen
		Related Documents	General Information
		Pricing	Product Availability

Please use the customer drawing for all design activity.

- **Customer Drawing: 535576**, Rev. K
Document Title: RECEPTACLE ASSEMBLY, MOD IV, DOUBLE-ROW, .100x.100 CL, CLOSED-ENTRY, VERTICAL-MOUNTED, HIGH-TEMPERATURE

[207912.pdf](#) [207912.pdf](#) (85K)

The photographs and/or line drawings below are representative images of a product for viewing purposes only.

[Product Photo](#)

Searchable Features:	
Brand:	AMP
No. of Positions:	2
No. of Rows:	Dual
Profile:	Low
Mount Angle:	Vertical
Mounting Pattern (mm [in]):	2.54 x 3.81 [.100 x .150]
Military Qualification:	No
Contact Mating Area Plating:	Gold (30)
Housing Entry Style:	Top
Closed Entry:	Yes
Side Stackable:	No
High Temperature Compatible:	Yes
Connector Series:	Mod. IV
Termination Post Length (mm [in]):	3.30 [.130]
Solder Tail Plating:	Bright Tin-Lead over Nickel

Other Properties:	
Centerline Spacing (mm [in]):	2.54 x 2.54 [.100 x .100]
Board Standoff:	With
Housing Material:	Thermoplastic
Housing Flammability Rating:	UL 94V-0
Housing Color:	Black
Contact Material:	Phosphor Bronze
Packaging Method:	Gang of Tubes
Comment:	AMP Trademark, Part Number and Date Code stamped on housing where size permits.

[Copyright](#) and [Privacy Statement](#)

Visit [Tyco International, Ltd.](#)

[Products](#) | [Brands](#) | [Industries](#) | [Customer Service](#) | [About](#) | [Home](#)