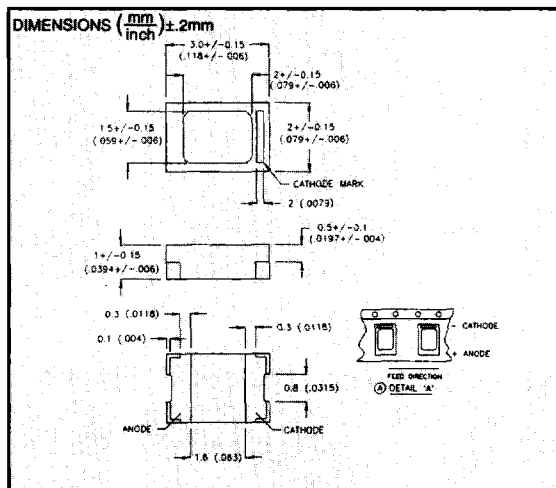


CCL-LX23XX SERIES CERAMIC CHIP SURFACE MOUNT LEDS

LUMEX PART NBR	EMITTED COLOR		EPOXY LENS COLOR	BRIGHTNESS		VIEW ANGLE	VI@20mA	
	PEAK(nm)	LENS COLOR		TYP.(mcd.)	I(mA)		TYP.	MAX
CCL-LX23GC	GREEN	565	WATER CLEAR	20	20	90	2.1	2.8
CCL-LX23IC	RED	635	WATER CLEAR	30	20	90	2.1	2.8
CCL-LX23SRC	RED	660	WATER CLEAR	80	20	90	1.7	2.2
CCL-LX23XC	YELLOW	585	WATER CLEAR	20	20	90	2.1	2.8
CCL-LX23AC	AMBER	610	WATER CLEAR	20	20	90	2.1	2.8

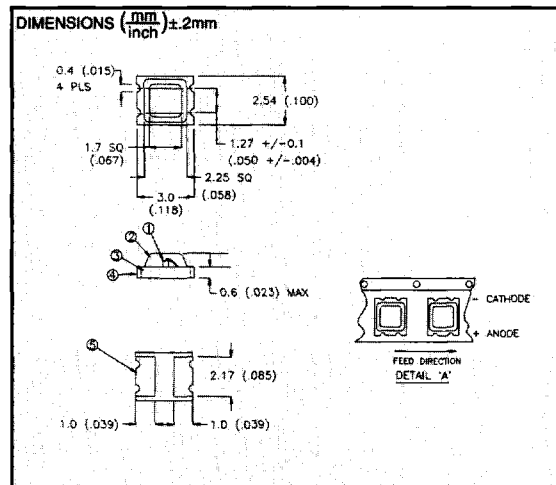
See pages 8-14 for Max. operating limits and operating curves



CCL-CRS10XX SERIES CERAMIC CHIP SURFACE MOUNT LEDS

LUMEX PART NBR	EMITTED COLOR		EPOXY LENS COLOR	BRIGHTNESS		VIEW ANGLE	VI@20mA	
	PEAK(nm)	LENS COLOR		TYP.(mcd.)	I(mA)		TYP.	MAX
CCL-CRS10R	RED	635	WATER CLEAR	6	20	180	2.1	2.8
CCL-CRS10G	GREEN	565	WATER CLEAR	10	20	180	2.1	2.8
CCL-CRS10Y	YELLOW	585	WATER CLEAR	8	20	180	2.1	2.8
CCL-CRS10SR	RED	660	WATER CLEAR	14	20	180	1.7	2.3
DUAL CHIP OPTIONS (INDIVIDUALLY DRIVEN)								
CCL-CRS10RR	RED	635	WATER CLEAR	6/6	20/20	180	2.1	2.8
CCL-CRS10GG	GREEN	565	WATER CLEAR	10/10	20/20	180	2.1	2.8
BI-COLOR OPTIONS								
CCL-CRS10R/G	RD/GRN	635/565	WATER CLEAR	6/10	20/20	180	2.1	2.8
CCL-CRS10R/Y	RD/YLW	635/585	WATER CLEAR	6/8	20/20	180	2.1	2.8

See pages 8 -14 for Max. operating limits and operating curves



SSL-LX203CXT SERIES T-2mm CERAMIC STEM LED LAMPS

LUMEX PART NBR	EMITTED COLOR		EPOXY LENS COLOR	BRIGHTNESS		VIEW ANGLE	VI@20mA	
	PEAK(nm)	LENS COLOR		TYP.(mcd.)	I(mA)		TYP.	MAX
SSL-LX 203CIT	ORANGE-RED	635	RED TRANSP.	30.0	20	180	2.0	2.8
SSL-LX 203CGT	GREEN	565	GREEN TRANSP.	25.0	20	180	2.1	2.8
SSL-LX 203CYT	YELLOW	585	YELLOW TRANSP.	16.0	20	180	2.1	2.8
SSL-LX 203CSRT	RED	660	RED TRANSP.	40.0	20	180	1.6	2.2

See pages 8 -14 for Max. operating limits and operating curves

