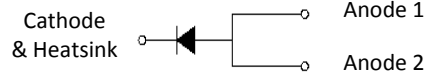
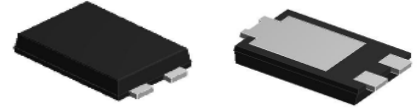


Features

- Glass passivated fast recovery rectifiers
- Ideal for automated placement
- Low forward voltage drop
- Low leakage current
- Moisture sensitivity: level 1, per J-STD-020
- Solder dip 260 °C, 10 s
- Low profile



TYPICAL APPLICATIONS

For use of general purpose rectification in lighting, cellular phone, portable device, power supplies, and other consumer applications.

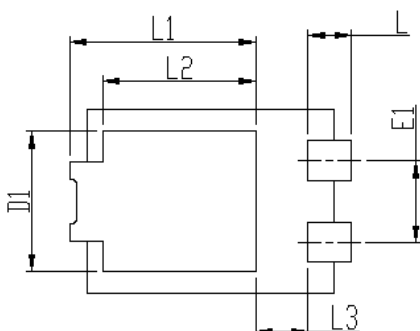
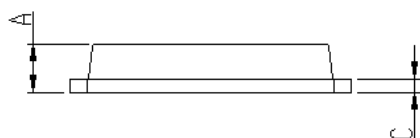
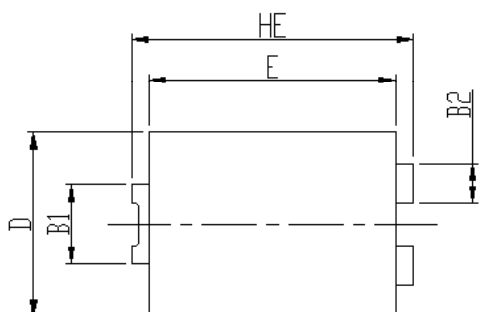
MAXIMUM RATINGS (TA = 25 °C unless otherwise noted)							
PARAMETER	SYMBOL	SGC0303F	SGC0304F	SGC0305F	SGC0306F	SGC0307F	UNIT
Maximum repetitive peak reverse voltage	V _{RRM}	200	400	600	800	1000	V
Maximum RMS voltage	V _{RMS}	140	280	420	560	700	V
Maximum DC blocking voltage	V _{DC}	200	400	600	800	1000	V
Maximum average forward rectified current	I _{F(AV)}	3.0					A
Peak forward surge current 8.3 ms single half sine-wave superimposed on rated load	I _{FSM}	100					A
Operating junction and storage temperature range	T _J , T _{STG}	- 55 to + 150					°C

ELECTRICAL CHARACTERISTICS (TA = 25 °C unless otherwise noted)								
PARAMETER	TEST CONDITIONS	SYMBOL	SGC0303F	SGC0304F	SGC0305F	SGC0306F	SGC0307F	UNIT
Maximum instantaneous forward voltage	3A	VF	1.3					Volts
Maximum DC reverse current at rated DC blocking voltage	TA=25	IR	10					μA
	TA=125		250					
Typical reverse recovery time	I _F =0.5A, I _R =1.0A	t _{rr}	150		250		500	nS
	I _{rr} =0.25A							
Typical junction capacitance	4.0 V, 1 MHz	CJ	75					pF

RATINGS AND CHARACTERISTICS CURVES

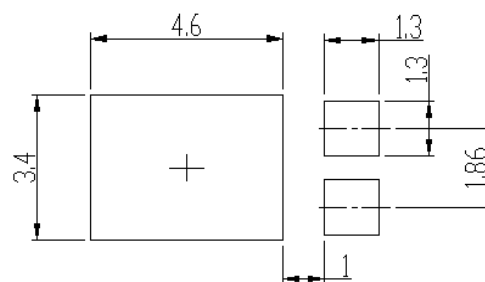
(TBD)

PACKAGE OUTLINE DIMENSIONS (in millimeters)



DIM	Unit: mm		Unit: inch	
	MIN	MAX	MIN	MAX
HE	6.4	6.6	0.252	0.260
E	5.6	5.8	0.220	0.228
D	4.1	4.3	0.161	0.169
B1	1.7	1.9	0.067	0.075
B2	0.8	1	0.031	0.039
A	1.05	1.2	0.041	0.047
C	0.3	0.4	0.012	0.016
L	0.85	1.1	0.033	0.043
L1	4.2	4.4	0.165	0.173
L2	3.52 Typ.		0.139 Typ.	
L3	1.1	1.4	0.043	0.055
D1	3	3.3	0.118	0.130
E1	1.86 Typ.		0.073 Typ.	

Soldering footprint



PACKING INFORMATION

Packing quantities:

5000 pcs/Reel , 12mm Tape, 13" Reel

Tape & Reel Specification

