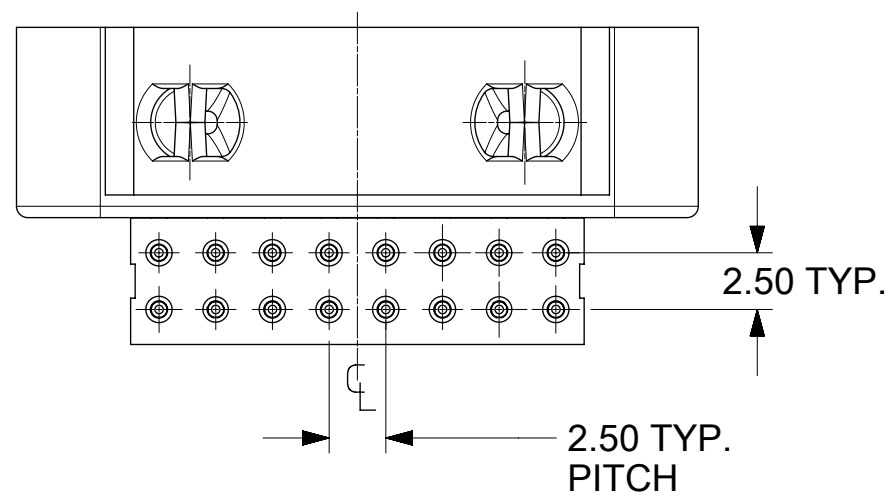
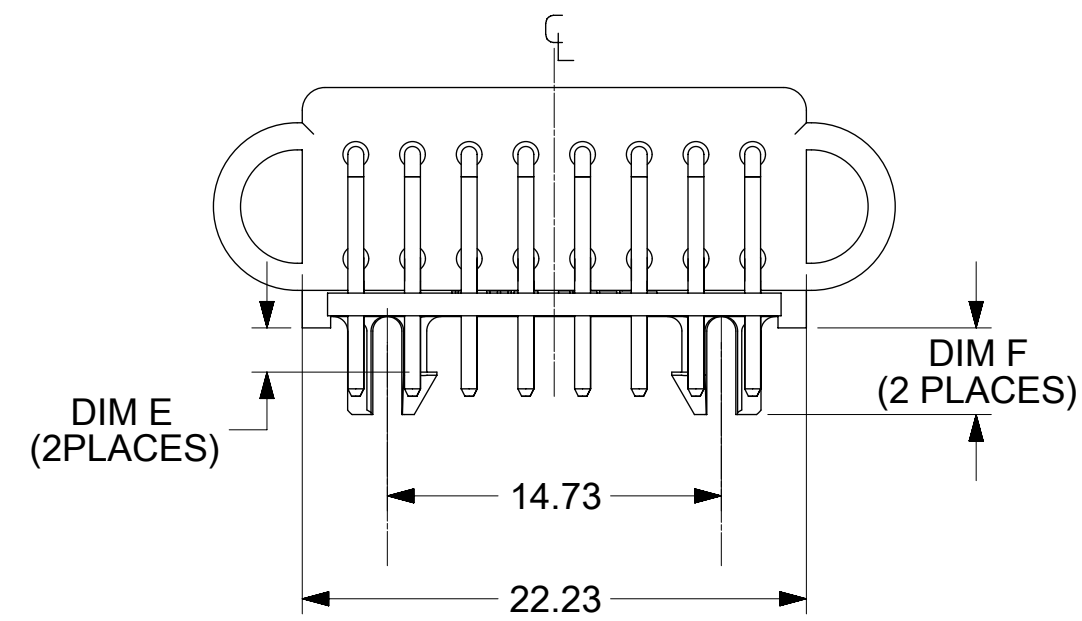
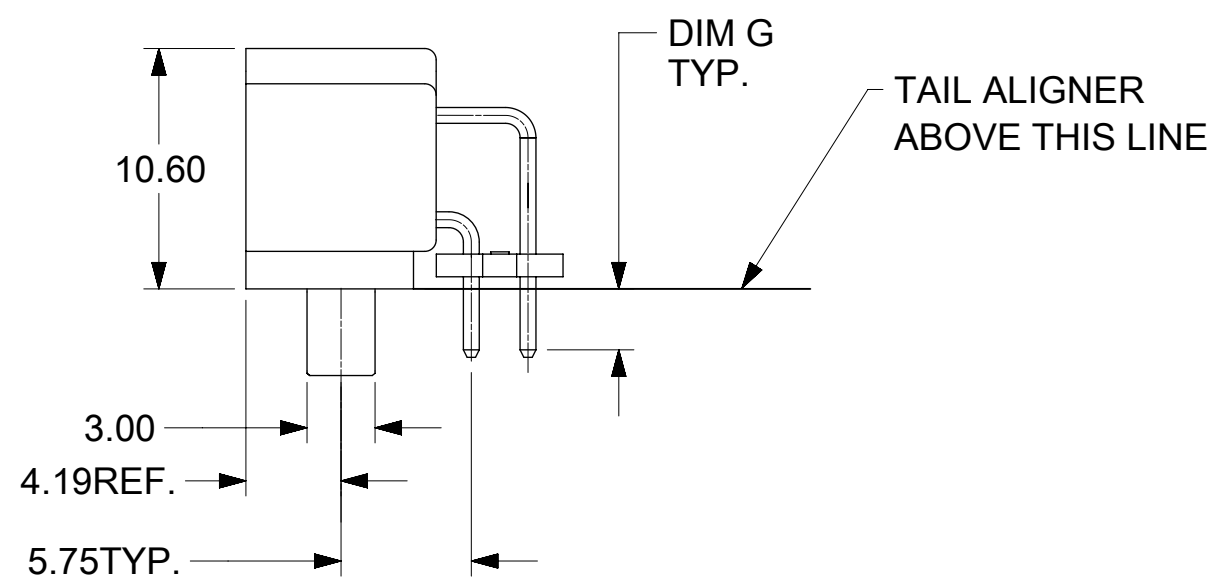
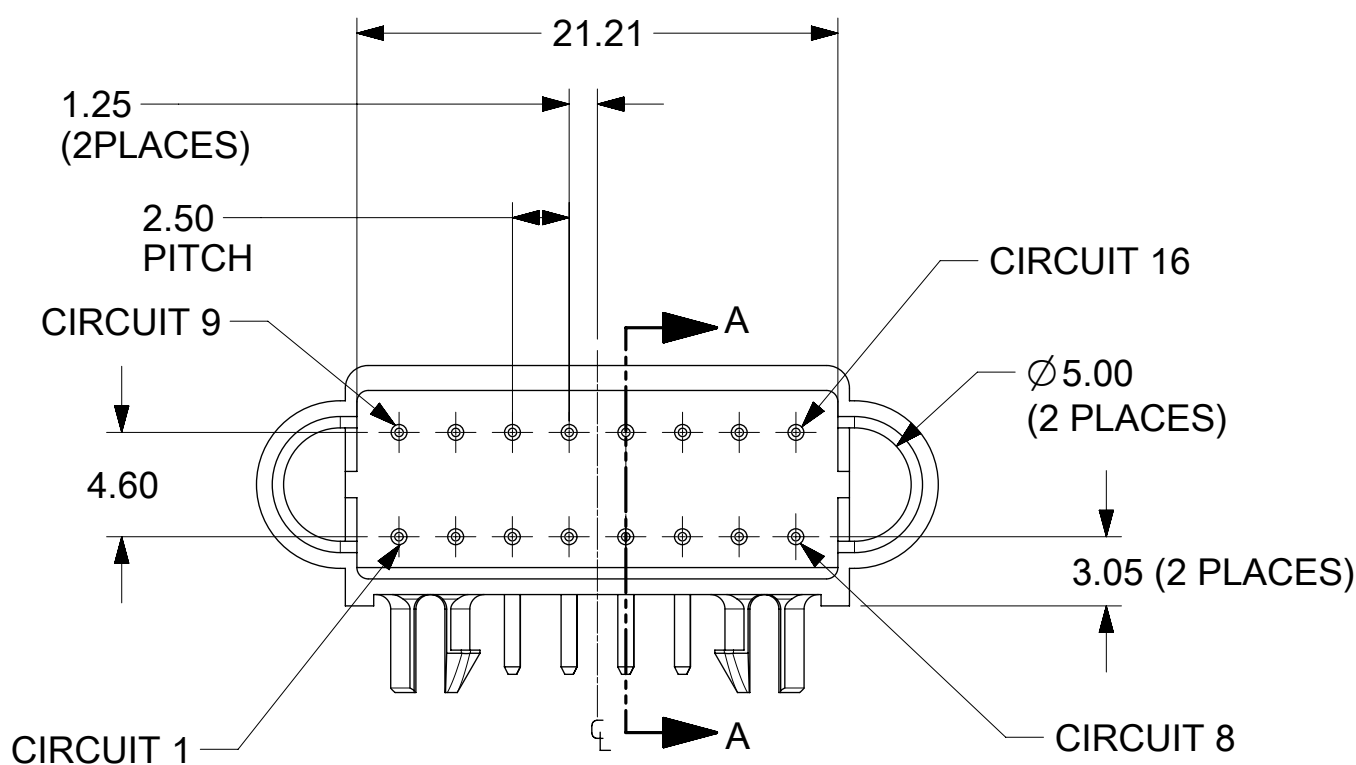
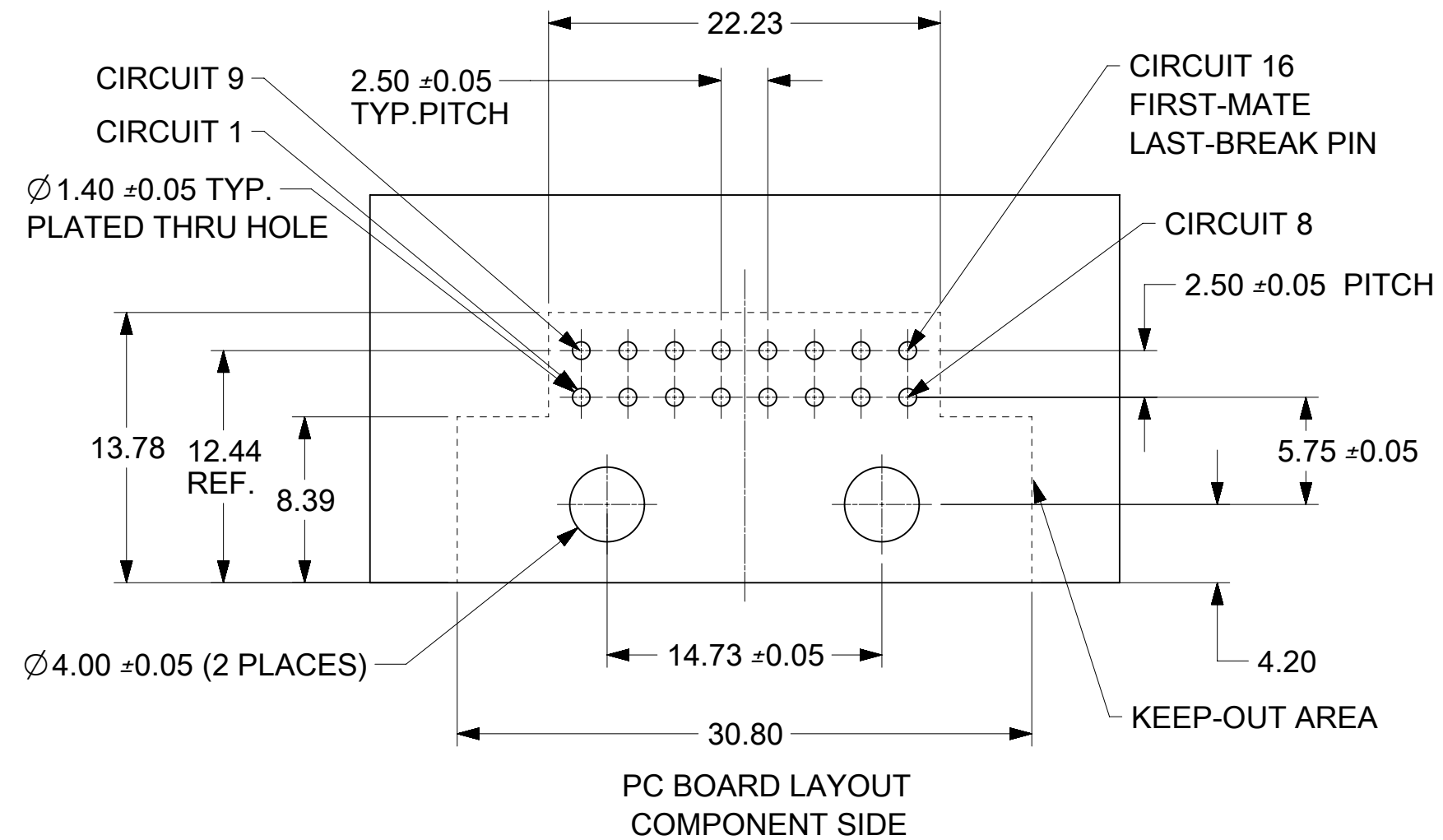
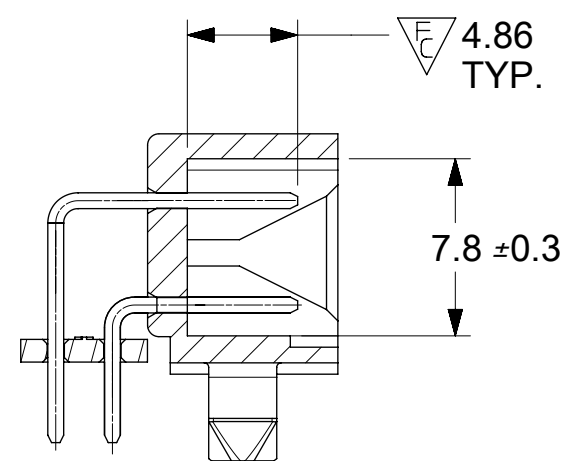
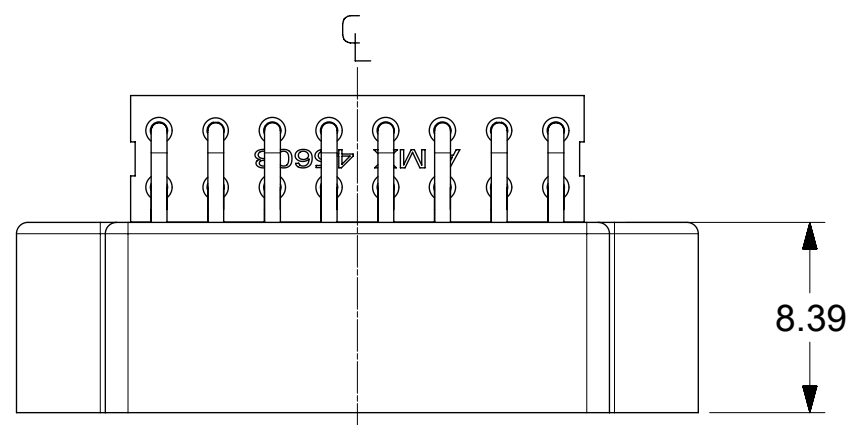


PART NUMBER	PCB THICKNESS	DIM E	DIM F	DIM G	STATUS
456080001	1.67	1.95	3.82	3.02	TOOLED
456080005	3.05	3.29	5.19	4.39	NOT TOOLED



- NOTES:
- HOUSING MATERIAL: HIGH-TEMP THERMOPLASTIC, 94V-0. (COLOR: BLACK)  
TAIL ALIGNER: HIGH-TEMP THERMOPLASTIC (COLOR: OPTIONAL)
  - PIN MATERIAL: 0.70mm DIA. BRASS
  - PIN PLATING: 2.50µm TIN OVER 1.25µm NICKEL.
  - PRODUCT SPECIFICATION: PS-45579-001.
  - PACKAGING: TRAY.

THIS DRAWING CONTAINS INFORMATION THAT IS PROPRIETARY TO MOLEX ELECTRONIC TECHNOLOGIES, LLC AND SHOULD NOT BE USED WITHOUT WRITTEN PERMISSION													
DIMENSION UNITS		SCALE		CURRENT REV DESC:									
MM		3:1		<p><b>molex</b></p> <p>SPOX BMI RIGHT ANGLE DUAL ROW 8 POSITION HEADER ASSEMBLY</p> <p>PRODUCT CUSTOMER DRAWING</p> <p>DOCUMENT NUMBER: <b>SD-45608-001</b>   DOC TYPE: PSD   DOC PART: 001   REVISION: J</p> <p>MATERIAL NUMBER: SEE TABLE   CUSTOMER: GENERAL MARKET   SHEET NUMBER: 1 OF 1</p>									
GENERAL TOLERANCES (UNLESS SPECIFIED)										EC NO: 625546		DRWN: CMN 2017/08/09	
4 PLACES ±		±								CHK'D: ISHWARG 2019/10/18		APPR: ISHWARG 2019/10/18	
3 PLACES ±		±								INITIAL REVISION:			
2 PLACES ±		0.13 ±								DRWN: TGREGORI			
1 PLACE ±		0.25 ±		APPR: JCOMERCI									
0 PLACES ±		±		DRAFT WHERE APPLICABLE MUST REMAIN WITHIN DIMENSIONS									
ANGULAR TOL ±		0.5 °		THIRD ANGLE PROJECTION		DRAWING		SERIES					
				C-SIZE		45608							

DOCUMENT STATUS	P1	RELEASE DATE	2019/10/18 08:25:49
-----------------	----	--------------	---------------------