

.050" PIN STRIP HEADER (Right Angle)

FEATURES

- Super low profile for tight applications
- Smaller centers allow higher density packaging
- Pin tip geometry reduces insertion forces
- Custom applications available ... call us!
- Mates with Crane's ATF and AFF Series Sockets

STANDARD PART DIMENSIONS

MATING		Single Row PFH	Dual Row PFH	Dual Row PFF
P	POST "B"	0.220" / 5,58mm	0.220" / 5,58mm	0.220" / 5,58mm
	POST "C"	0.120" / 3,05mm	0.120" / 3,05mm	0.120" / 3,05mm

INSULATOR BODY		Single Row PFH	Dual Row PFH	Dual Row PFF
W	WIDTH	0.050" / 1,27mm	0.050" / 1,27mm	0.050" / 1,27mm
H	HEIGHT	0.100" / 2,54mm	0.180" / 4,57mm	0.130" / 3,30mm
C1	ROW TO ROW	N/A	0.100" / 2,54mm	0.050" / 1,27mm

PC TAIL		Single Row PFH	Dual Row PFH	Dual Row PFF
L	LENGTH	0.100" / 2,54mm	0.100" / 2,54mm	0.100" / 2,54mm

For other lengths, see Selected Options (next page)

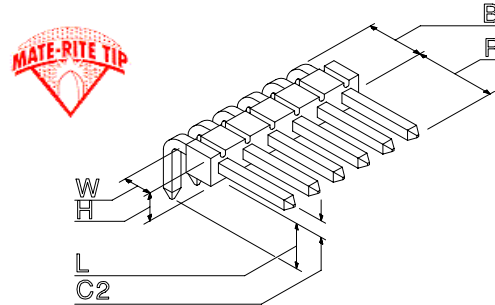
POST CENTERLINE DIMENSIONS		Single Row PFH	Dual Row PFH	Dual Row PFF
C2	Height Above PC Board	0.050" / 1,27mm	0.040" / 1,01mm	0.040" / 1,01mm
B	Post Centerline To Insulator Body	0.100" / 2,54mm	0.200" / 5,08mm	0.150" / 3,81mm

MATERIALS

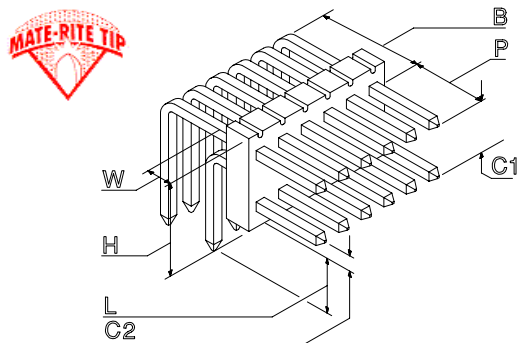
INSULATOR BODY	High Temperature Thermoplastic (UL94V-O)
POST	Phosphor Bronze

See SPECIFICATIONS and PERFORMANCE DATA for more detail

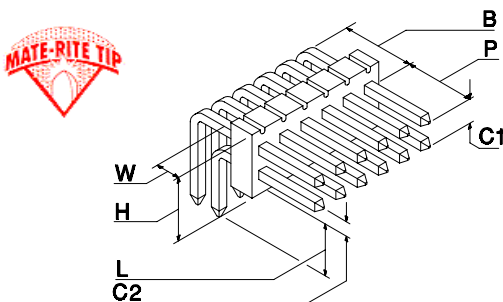
SINGLE ROW (1 to 60 Positions) PFH



DUAL ROW (2 to 120 Positions) PFH



DUAL ROW (2 to 120 Positions) - PFF



SAMPLE HOTLINE: 1-800-676-7644

0.050" (1,27mm) Centers 0.018" (0,46mm) Square or Round Mating Posts	HOW TO ORDER CRANE'S PFF / PFH SERIES							
	STANDARD PART NUMBER							
						--		
PRODUCT SERIES	PF							
INSULATOR STYLE		SINGLE	H					
	050 x 100	DUAL	H					
	050 x 050	DUAL	F					
TOTAL NUMBER OF POSITIONS		SINGLE		01-60				
		DUAL		02-120				
NUMBER OF ROWS		SINGLE		S				
		DUAL		D				
TYPE OF HEADER		RIGHT ANGLE			R			
PLATING (See Specs Below)	G or T							
MATING POST DATA	Mating Post Length		Min. Gold Plated Area					
	0.220" / 5,58mm		0.150" / 3,81mm		B			
	0.120" / 3,05mm		0.080" / 2,03mm		C			
TAIL (0.100" / 2,54mm) STANDARD	SQUARE		0.018" / 0,46mm		Q			
TAIL OPTIONS	KINKED		0.018" / 0,46mm		K			
	ROUNDED		0.020" / 0,51mm Diagonal		R			
	ROUND (WHOLE PIN)*		0.018" / 0,46mm Diameter		D			

*NOTE: Minimum order may be necessary.

SAMPLE HOTLINE: 1-800-676-7644

CRANE CONNECTORS - PLATING SPECIFICATIONS

PLATING OPTIONS		CONTACT AREA Inches (Millimeters)	PC TAIL Inches (Millimeters)	UNDERPLATE Inches (Millimeters)
G	Selective	15 μ l" (0,00038) Gold	100 μ l" (0,00254) Tin/Lead - Min	50 μ l" (0,00127) Nickel - Min.
T	Tin / Lead	100 μ l" (0,00254) Tin / Lead	100 μ l" (0,00254) Tin/Lead - Min	50 μ l" (0,00127) Nickel - Min.
M	Selective	50 μ l" (0,00127) Gold	100 μ l" (0,00254) Tin/Lead - Min	50 μ l" (0,00127) Nickel - Min.
H	Selective	30 μ l" (0,00076) Gold	100 μ l" (0,00254) Tin/Lead - Min	50 μ l" (0,00127) Nickel - Min.
L	Selective	10 μ l" (0,00025) Gold	100 μ l" (0,00254) Tin/Lead - Min	50 μ l" (0,00127) Nickel - Min.
F	Selective	3 μ l" (0,00008) Gold	100 μ l" (0,00254) Tin/Lead - Min	50 μ l" (0,00127) Nickel - Min.

ENGINEERING NOTE:

The information presented in this catalog page is accurate to the best of our knowledge. Due to ongoing efforts to advance design and material performance, the information is subject to change without notice.

STANDARDS

ISO9001



Crane Connectors
File No. A-3620

Registered by UL to ISO9001 under UL's accreditation by Raad voor de Certificatie (RvC), the Dutch Council for Certification.

SAMPLE HOTLINE: 1-800-676-7644

CRANE CONNECTORS • 4700 Smith Road • Cincinnati, Ohio 45212 USA • E-mail Address: info@craneconnectors.com
Phone: (513) 631-4700 • Fax (513) 631-5700 • Toll Free US (800) 676-7644 • Canada (800) 420-7310