

10112690 - X XX-YY Z LF

INDICATES THAT PRODUCT IS RoHS COMPATIBLE SEE NOTE 3

PACKAGING :

A = Tape and reel with Pick-up cap
See GS-14-1516 As available

U = Tube without Pick-up cap. Only for rows contacts qty from 4 to 25
See GS-12-1551

Blank = Bli box for rows contacts qty 2 and 3 see note 5

NBR CONTACTS PER ROW : 02 TO 25 = N

XX	01	02	03	04
DIM C POST LENGHT	3.2	2.0	4.0	7.0

PLATING : G= 0.76µ Gold/GXT on mating area

2-6µ Pure Tin on solder area

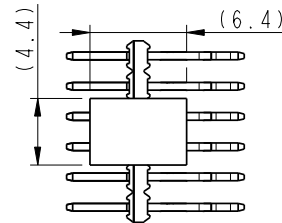
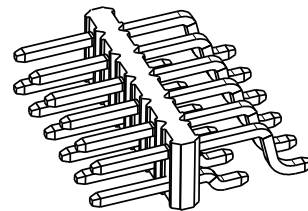
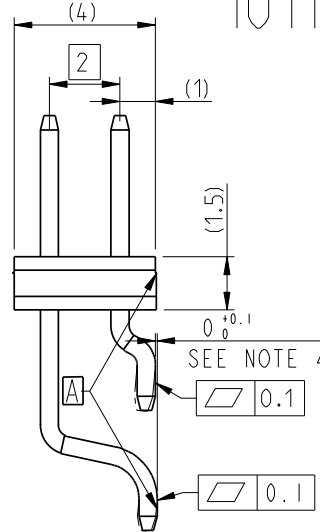
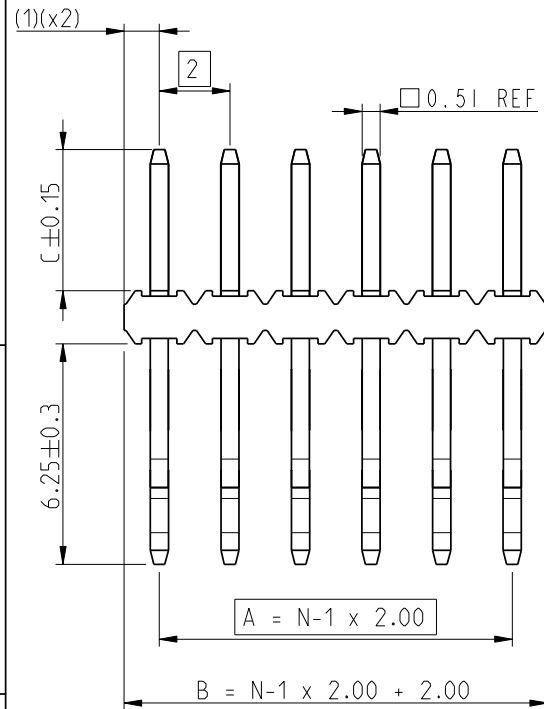
F= Gold flash on mating area

2-6µ pure Tin on solder area

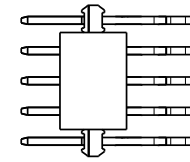
T= 2-6µ pure Tin on mating area

2-6µ pure Tin on solder area

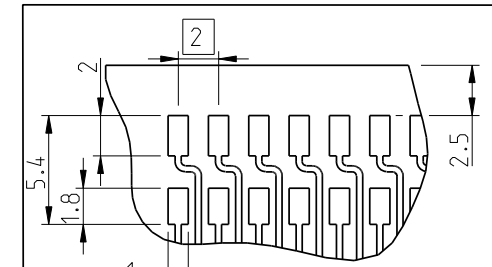
All with 1.27 Ni underplating



SCALE 3:1
VIEW WITH PICK-UP CAP
EVEN PRODUCTS



SCALE 3:1
VIEW WITH PICK-UP CAP
ODD PRODUCTS



RECOMMENDED PAD LAYOUT

NOTES :

1- MATERIALS :

BODY : High Temp thermoplastic 30% GF, COLOR BLACK UL94 V-0
PIN : COPPER ALLOY

2- 7N MIN PIN RETENTION IN EITHER DIRECTION

3- RoHS COMPATIBLE PRODUCT SPECIFICATION :

a- PLATING : LF means the product is Lead Free,
2µ MIN matte Tin over 1.27µ Nickel underplating.

b- MANUFACTURING PRODUCT SPECIFICATION :

Housing will withstand exposure to 260°C peak temperature for 30 secondes in a convection infra-red or vapor phase oven.

4- PLANE REFERENCE -A- IS GENERATED BY LONG PINS TAIL ROW

WITH LOWEST AREA OF BODY.
SHORT PINS ROW TO BE FLUSH OR HIGHER 0.1 MAX ABOVE REF -A-.

5- MINIMUM QUANTITY IN BLI BOX : 500



Copyright FCI.

D

REV F - 2004-04-17

rev	ecn no	dr	date
A	F10-0082	LSA	10/07/29
B	F10-0227	APA	10/10/01
C	F10-0238	APA	10/10/21
D	F12-0055	APA	12/05/11
-	-	-	-
-	-	-	-

www.fciconnect.com		surface - ✓ ISO 1302	tolerance std ISO 406 ISO 1101	projection mm
		TOLERANCES UNLESS OTHERWISE SPECIFIED		
Dr	L. SAILLARD	10/02/04	ANGULAR	0.x ±/
Eng	L. SAILLARD	10/02/04	LINEAR	0.xx ±/
Chr	JM COMPAGNON	10/02/04	0° ±/°	0.xxx ±/
Appr	/	/	Product family	size A3
				Scale 8:1
				ECN F12-0055
				Spec ref GS-12-652
DOUBLE ROW ASSEMBLY			caty no	10112690
MINITEK HEADER SMT R/A				Rev. D
catalog no			CUSTOMER	sheet 1 of 1

PDM: Rev:D

STATUS: Released

Printed: May 23, 2012