

# PIN STRIP HEADER (Straight)

## FEATURES

- MATE-RITE TIP prevents scraping of mating socket
- Insulator standoffs reduce rework due to flux residue
- Board retention option prevents unwanted movement
- Coined tails improve solder action
- Mates with Crane's ATP, ATS, ABH, ABS, ABT Sockets; JUN jumpers

## STANDARD PART DIMENSIONS

MATING		SINGLE ROW	DUAL ROW	TRIPLE ROW
P	POST "A"	0.318" / 8,08mm	0.318" / 8,08mm	0.318" / 8,08mm
	POST "B"	0.230" / 5,84mm	0.230" / 5,84mm	0.230" / 5,84mm
	POST "M"	0.295" / 7,49mm	0.295" / 7,49mm	0.295" / 7,49mm
	POST "I"	See Attached Options (next page)		

INSULATOR BODY		SINGLE ROW	DUAL ROW	TRIPLE ROW
W	WIDTH	0.096" / 2,44mm	0.198" / 5,03mm	0.295" / 7,49mm
H	HEIGHT	0.098" / 2,49mm	0.098" / 2,49mm	0.098" / 2,49mm
S	STANDOFF	0.015" / 0,38mm	0.015" / 0,38mm	0.015" / 0,38mm

PC TAIL		SINGLE ROW	DUAL ROW	TRIPLE ROW
L	LENGTH	0.125" / 3,18mm	0.125" / 3,18mm	0.125" / 3,18mm

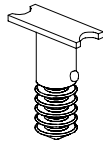
For other lengths, see Selected Options (next page)

## MATERIALS

INSULATOR BODY	Glass Filled Polyester (UL94V-0)
POST	Phosphor Bronze

## OPTIONAL HOLD-DOWN PEGS

Crane's Patented hold-down pegs (top and bottom entry available) secure the part to the PC board preventing misalignment during handling or soldering. See section on HOLD-DOWN PEGS for more information.

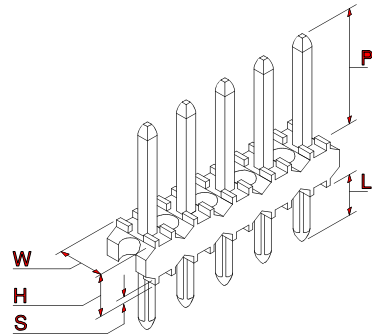


Top Entry Peg Shown

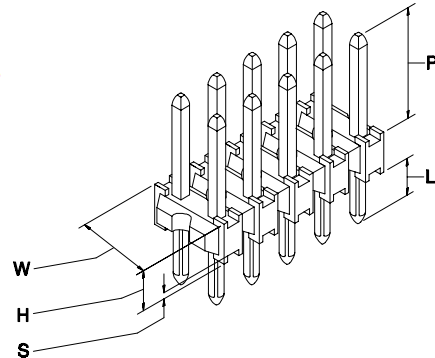
NOTE: Hold-down peg not available on triple row parts.

See SPECIFICATIONS and PERFORMANCE DATA for more detail

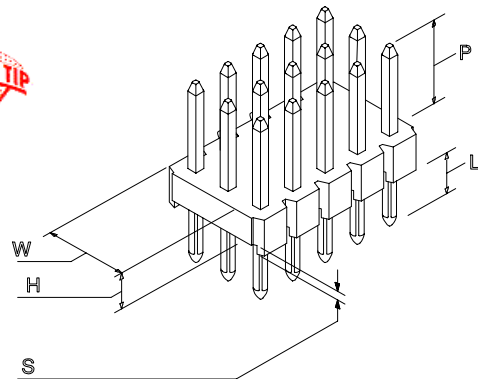
## SINGLE ROW (1 to 40 Positions)



## DUAL ROW (2 to 80 Positions)



## TRIPLE ROW (9 to 120 Positions)



**D.E.S.C. Approved Products**  
(Defense Electronics Supply Center)

**SAMPLE HOTLINE: 1-800-676-7644**

**0.100" (2,54mm) Centers  
To Mate With 0.025" (0,64mm)  
Square Mating Posts**

**HOW TO ORDER CRANE'S PEG SERIES**

**STANDARD PART NUMBER**

**OPTIONAL**

<b>PRODUCT SERIES</b>	PEG												
See page below for insulator options													
<b>TOTAL NUMBER OF POSITIONS</b>	SINGLE	01-40											
	DUAL	02-80											
	TRIPLE	09-120											
<b>NUMBER OF ROWS</b>	SINGLE		S										
	DUAL		D										
	TRIPLE		T										
<b>TYPE OF HEADER</b>	STRAIGHT		S										
<b>PLATING (See Specs At Bottom Of Page)</b>	G,T or M, H, L, F												
NOTE: Some platings may be subject to minimums													
<b>MATING POST DATA</b>	Mating Post Length	Minimum Gold Plated Area											
	0.318" / 8,08mm	0.200" / 5,08mm	A										
	0.230" / 5,84mm	0.180" / 4,57mm	B										
	0.295" / 7,49mm	0.200" / 5,08mm	M										
	OPTIONAL LENGTH - See Below		I										
<b>TAIL (0.125" / 3,18mm STANDARD)</b>	COINED	0.028" / 0,71mm Diagonal	R										
	KINKED	0.028" / 0,71mm Diagonal	K										
	FINE LINE*	0.018" / 0,46mm Diagonal	F										
	SQUARE	0.025" / 0,64mm SQ	Q										

\* The FINE LINE option is not available in all pin lengths.

<b>SELECTED OPTIONS</b>		POST	TAIL				
<b>I</b>	0.420"	0.125"	4	2	0		
	0.520"	0.125"	5	2	0		
	0.620"	0.125"	6	2	0		
	0.720"	0.125"	7	2	0		
<b>B</b>	0.230"	0.100"	T	1	0	0	
	0.230"	0.165	T	1	6	5	
	0.230"	0.220	T	2	2	0	
	0.230"	0.320	T	3	2	0	

If the standard dimensions shown above meet your needs, disregard this section.

If you need one of our OPTIONAL dimensions, just add the designator (see chart) to the end of the standard part number.

EXAMPLE: To order a 0.420" post with a 0.125" tail, specify part number:

PEG40SS-GIR420

Many other sizes are available. Please call us for more information.



**CONTINUED - Please Page down for More Choices**

<b>INSULATOR OPTIONS</b>									
		<b>B</b>		<b>T</b>	<b>4</b>	<b>2</b>	<b>0</b>		
<p>The standard color of our PEG SERIES insulator is white. For a black insulator, add a "B" (EX: BPEG) to the beginning of the standard part number. For HIGH TEMP plastic (only available in black), add a "G" (EX: GPEG) to the standard part number.</p>		0.230"	0.420	T	4	2	0		
		0.230"	0.520	T	5	2	0		
		<b>A</b>		0.318"	0.100	T	1	0	0
				0.318"	0.165	T	1	6	5
				0.318"	0.220	T	2	2	0
				0.318"	0.320	T	3	2	0
				0.318"	0.420	T	4	2	0
				0.318"	0.520	T	5	2	0

## CRANE CONNECTORS - PLATING SPECIFICATIONS

PLATING OPTIONS		CONTACT AREA Inches (Millimeters)	PC TAIL Inches (Millimeters)	UNDERPLATE Inches (Millimeters)
<b>G</b>	Selective	15 $\mu$ " (0,00038) Gold	100 $\mu$ " (0,00254) Tin/Lead - Min	50 $\mu$ " (0,00127) Nickel - Min.
<b>T</b>	Tin / Lead	100 $\mu$ " (0,00254) Tin / Lead	100 $\mu$ " (0,00254) Tin/Lead - Min	50 $\mu$ " (0,00127) Nickel - Min.
<b>M</b>	Selective	50 $\mu$ " (0,00127) Gold	100 $\mu$ " (0,00254) Tin/Lead - Min	50 $\mu$ " (0,00127) Nickel - Min.
<b>H</b>	Selective	30 $\mu$ " (0,00076) Gold	100 $\mu$ " (0,00254) Tin/Lead - Min	50 $\mu$ " (0,00127) Nickel - Min.
<b>L</b>	Selective	10 $\mu$ " (0,00025) Gold	100 $\mu$ " (0,00254) Tin/Lead - Min	50 $\mu$ " (0,00127) Nickel - Min.
<b>F</b>	Selective	3 $\mu$ " (0,00008) Gold	100 $\mu$ " (0,00254) Tin/Lead - Min	50 $\mu$ " (0,00127) Nickel - Min.

STANDARD TAIL OPTIONS ON 0.100" (2,54mm) PIN STRIP HEADERS			
"R" COINED	"K" KINKED	"F" FINE	"Q" SQUARE
The standard "R" option provides a coined tail improving solder action while making insertion easier.	The "K" option provides a kinked tail, reducing unwanted movement on the PC board.	The "F" option combines an 0.018" rounded tail with an 0.025" square post. This fine line feature allows more traces between holes.	The "Q" option provides an 0.025" square tail for use in wire wrap applications.

STANDARDS	
 UL File No. E120111 (N)	ISO9001  Crane Connectors File No. A-3620
Recognized to U.S. and Canadian requirements under the Component Recognition Program of Underwriters Laboratories Inc.	Registered by UL to ISO9001 under UL's accreditation by Raad voor de Certificatie (RvC), the Dutch Council for Certification.

ENGINEERING NOTE: The information presented in this catalog page is accurate to the best of our knowledge. Due to ongoing efforts to advance design and material performance, the information is subject to change without notice.

## SAMPLE HOTLINE: 1-800-676-7644