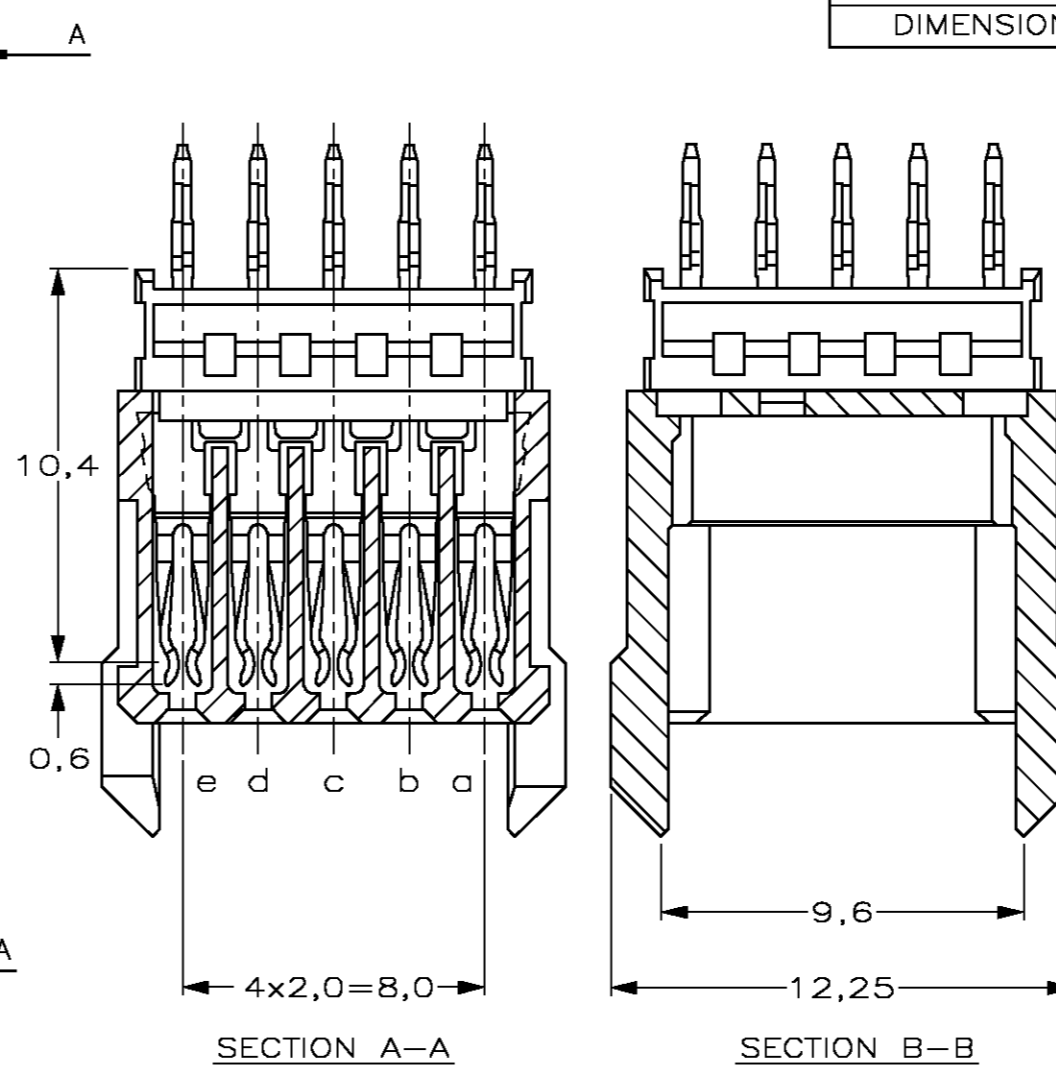
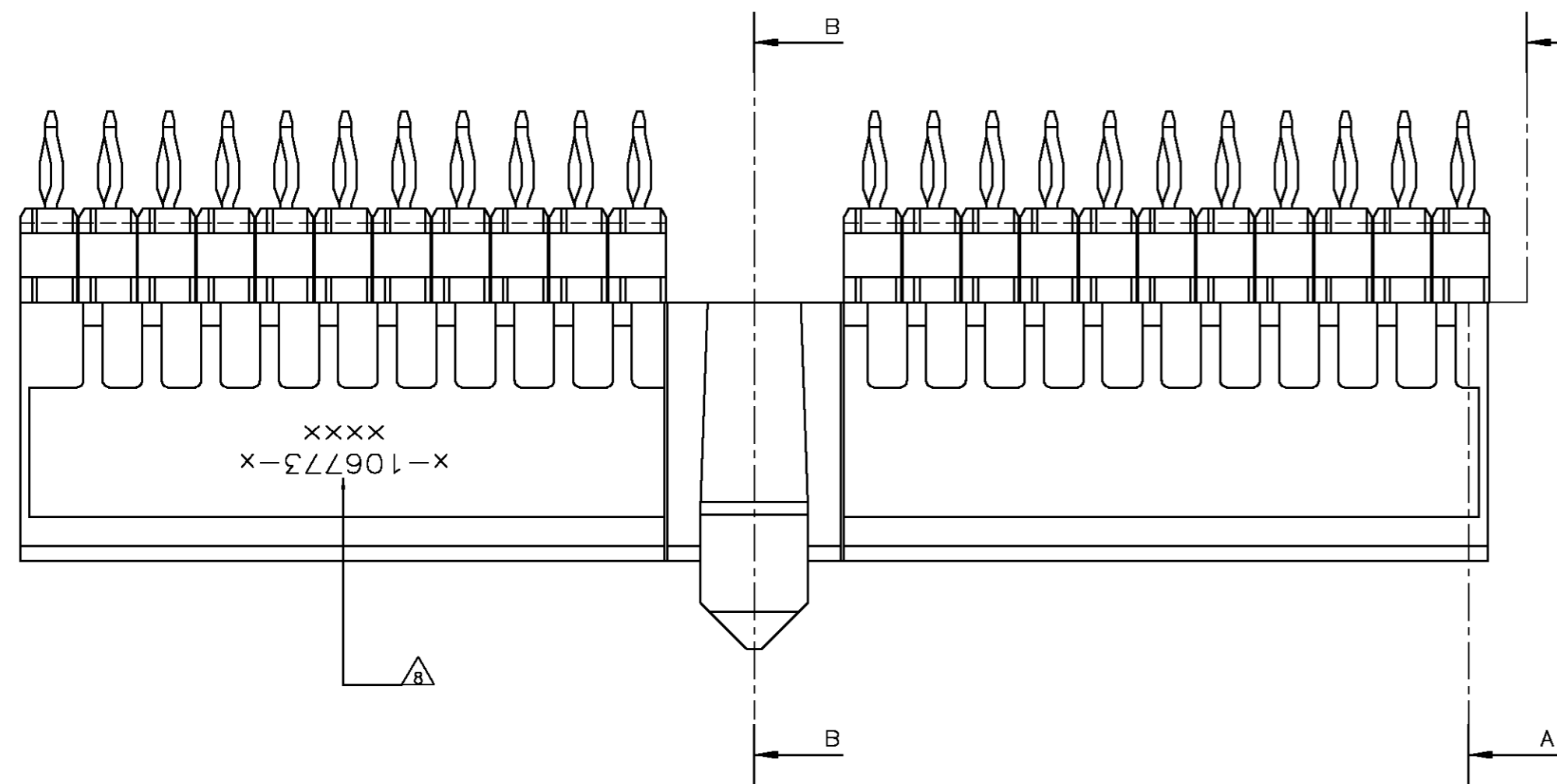


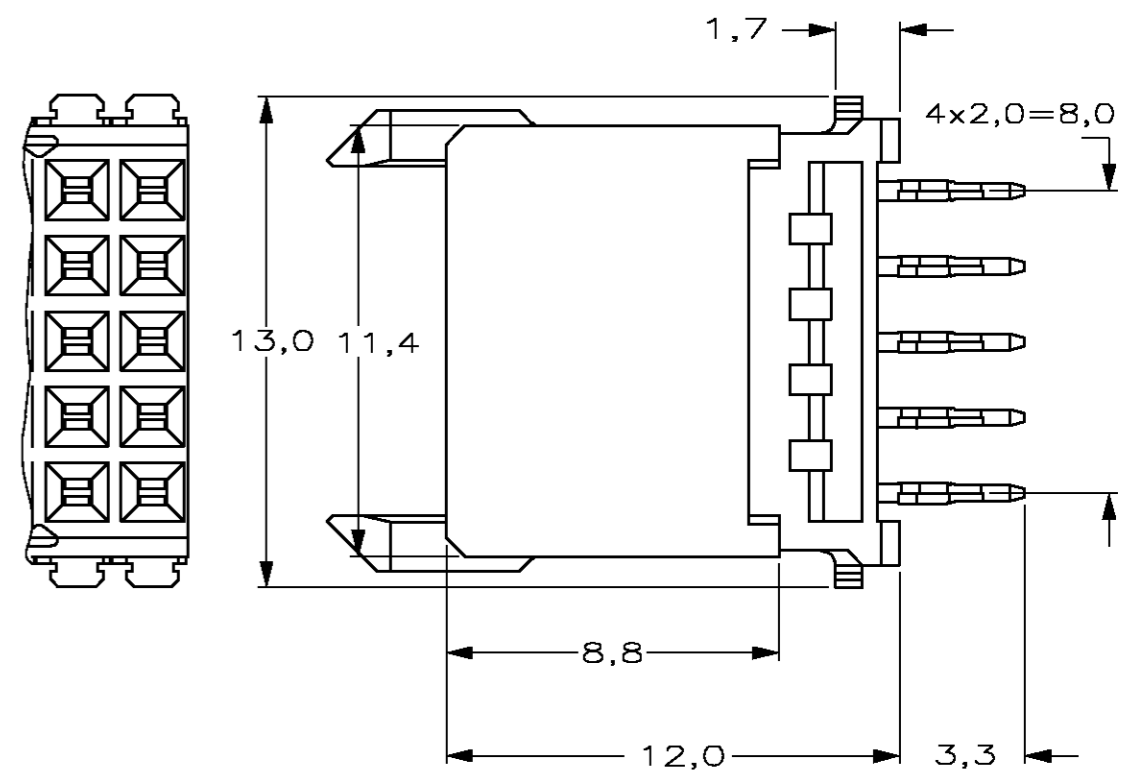
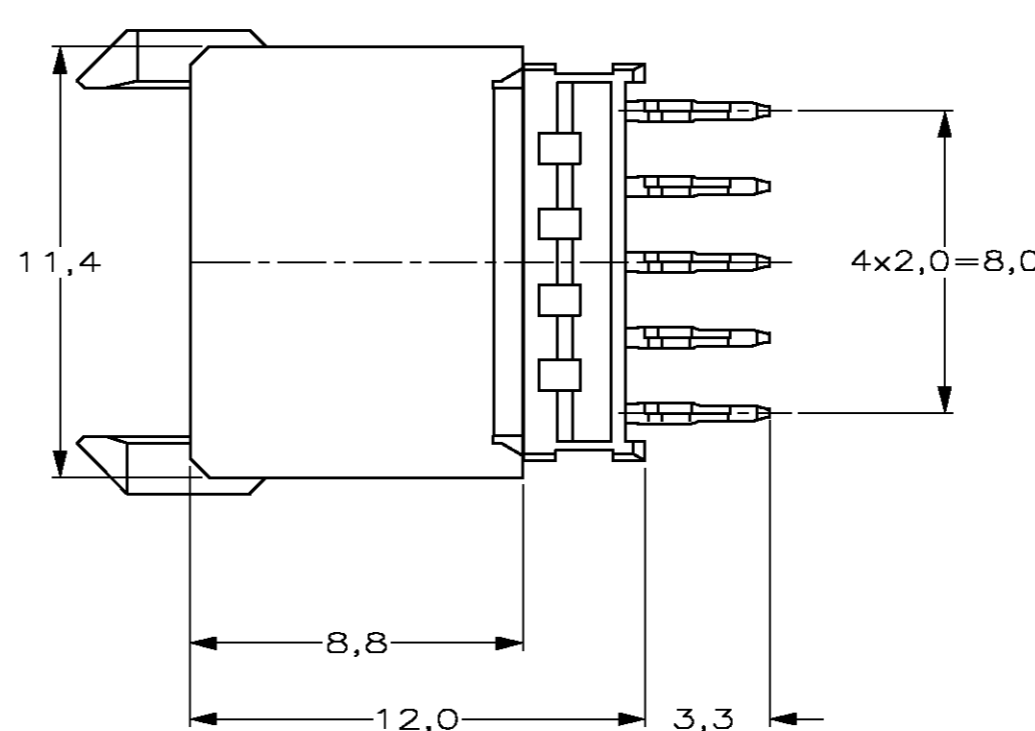
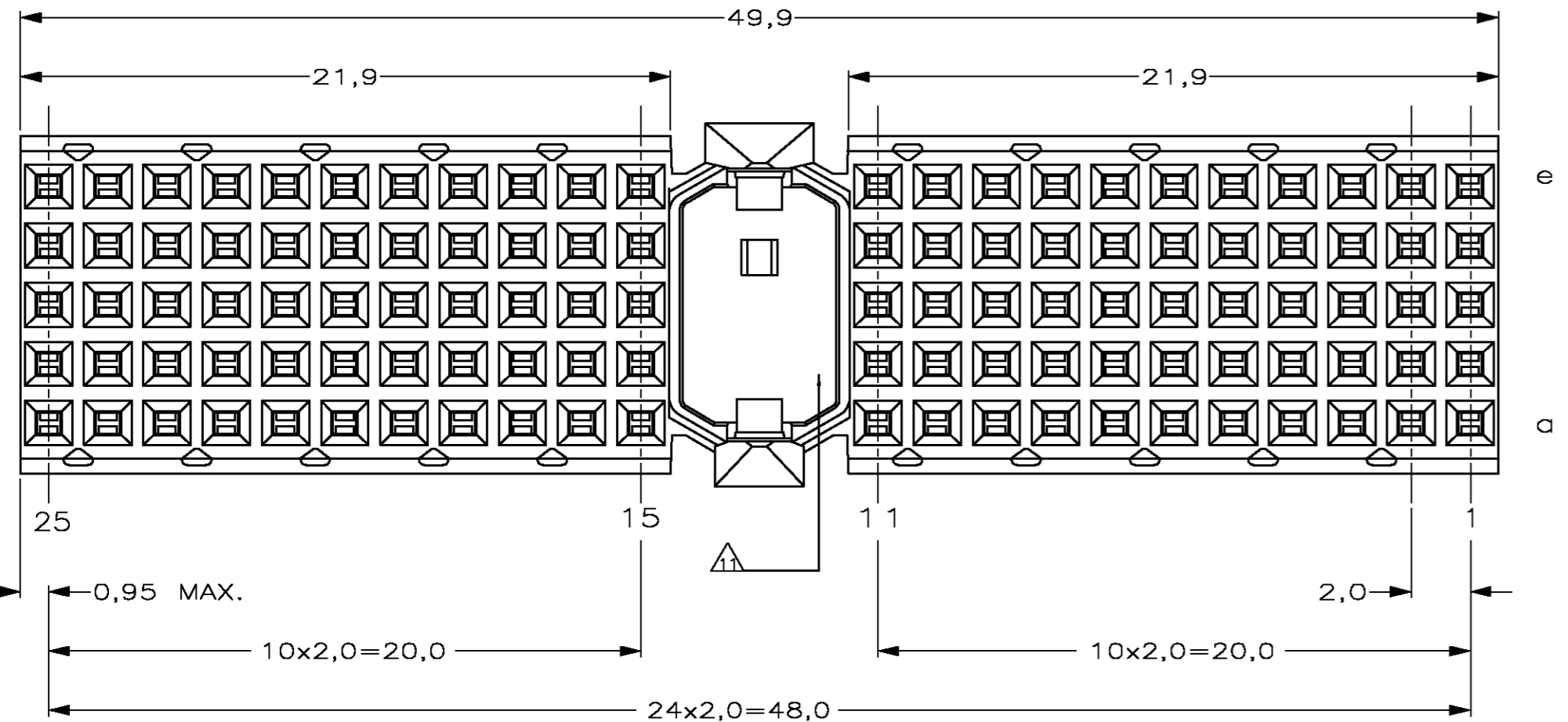
DO NOT SCALE  
DIMENSIONS IN mm

METRIC

THIRD ANGLE  
PROJECTION



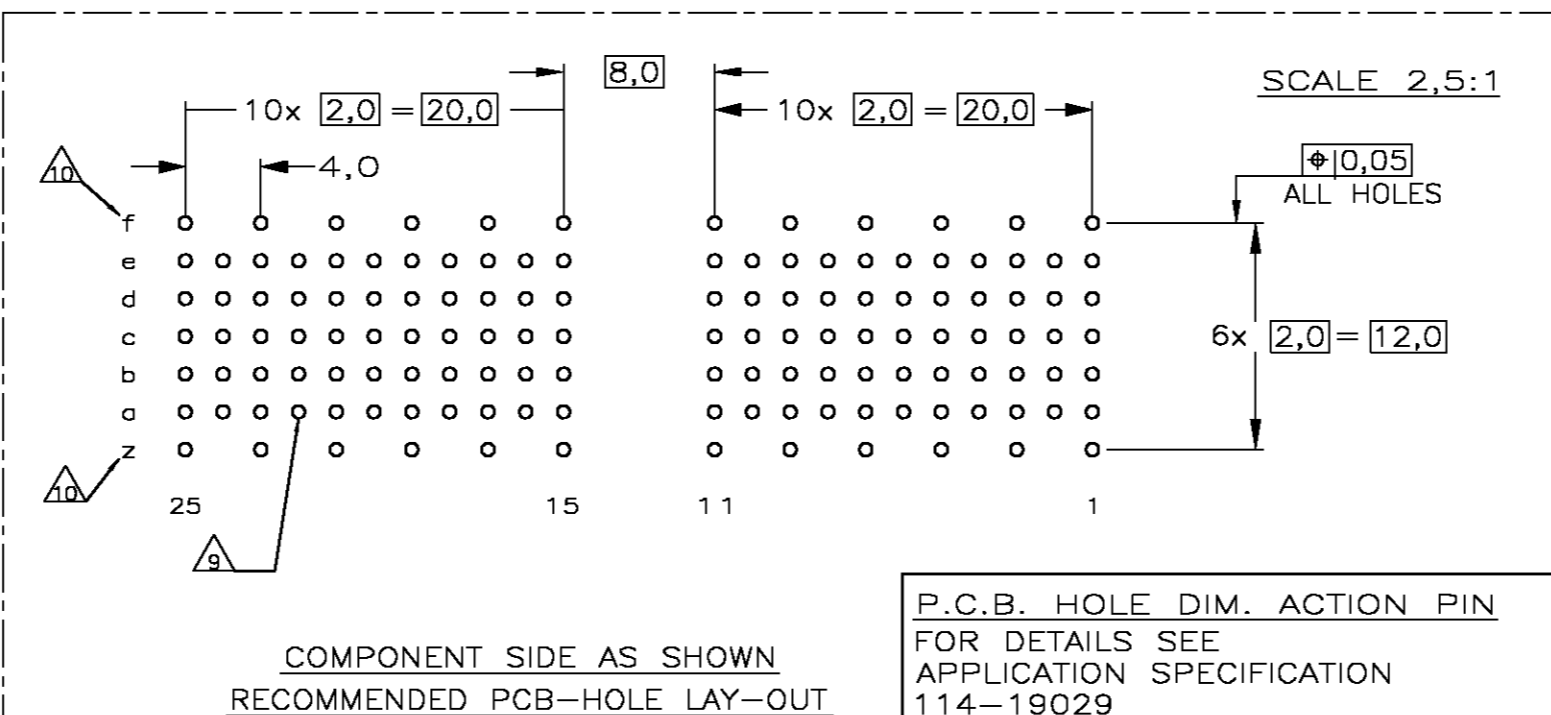
ALTERNATE FORM



NOTES:

- 1 MATERIAL CONTACT: PHOSPHORBRONZE  
MATERIAL HOUSING: GLASSFILLED POLYESTER  
UL-RATING 94V0(GRAY)
- 2 GENERAL PLATING SPECIFICATION: UNDERPLATING (ENTIRE CONTACT): 1,27µm  
NICKEL MIN. AND ACTION PIN: 0,5µm TIN MIN.  
FOR PLATING OF MATING SURFACES SEE APPLICABLE SPECIFICATION REFERENCE FOR EACH DASH NUMBER.
- 3 CONFORMS TO ALL TESTING ACCORDING IEC 61076-4-101 PERFORMANCE LEVEL 2.
- 4 CONFORMS TO ALL TESTING ACCORDING IEC 61076-4-101 PERFORMANCE LEVEL 1.
- 5 CONNECTOR TESTED AND QUALIFIED AGAINST TELCORDIA GR-1217-CORE QUALITY LEVEL III, CENTRAL OFFICE APPLICATIONS.
- 6 CONNECTOR TESTED AND QUALIFIED AGAINST TELCORDIA GR-1217-CORE QUALITY LEVEL III, UNCONTROLLED ENVIRONMENT APPLICATIONS.
- 7 CONNECTOR LUBRICATED WITH TELCORDIA APPROVED LUBRICANT.
- 8 CONNECTOR PRINTED WITH PARTNUMBER AND DATECODE.
- 9 PLATED-THROUGH HOLES AT 2x2mm SQUARE GRID (110 HOLES).
- 10 HOLES IN ROW f AND z FOR POSSIBLE FUTURE USE OF GROUND RETURN SHIELD. (SHIELDS NOT YET TOOLED)
- 11 AREA RESERVED FOR KEYING PART (BASIC P.N.:100526).

PRODUCT SPEC	108-19082
APPLICATION SPEC	114-19029



P.C.B. HOLE DIM. ACTION PIN  
FOR DETAILS SEE APPLICATION SPECIFICATION 114-19029

2/6/7	1	1-106773-9
2/5/7	1	106773-9
2/4	1	106773-4
2/3	1	106773-1
FINISH	MATERIAL	PARTNUMBER

CUSTOMER DRAWING FOR REFERENCE ONLY WILL NOT BE UPDATED					
© COPYRIGHT 1997 BY AMP-HOLLAND B.V. ALL INTERNATIONAL RIGHTS RESERVED. AMP PRODUCTS MAY BE COVERED BY U.S. AND FOREIGN AND/OR PATENTS PENDING.					
THIS DRAWING IS UNPUBLISHED RELEASED FOR PUBLICATION					
L	EH10-0680-05	BSV	BM	31-MAY-05	
K	EHCO-0195-04	DvdB	BM	18-MAY-04	
J	SR10-0165-03	DP	-	28-AUG-03	
H	EH-1357-00	RB	FvK	6-DEC-00	
G	EH-0577-97	DT	DT	30-JUL-97	
LTR.	REVISION RECORD	DR.	CHK.	DATE	
DR.:	L.V.D.HEIJDEN	CHK.:	D. TRUEN	APP.:	F.V.KONINGSBRUGGE
DATE:	14 APR.1997	DATE:	14 APR.1997	DATE:	-
NAME		Z-PACK 2mm HM TYPE A		110 POS. VERTICAL FEMALE CONNECTOR ASSEMBLY	
DWG.No.	C-106773	REV.LTR.	L	SHEET	1 OF 1