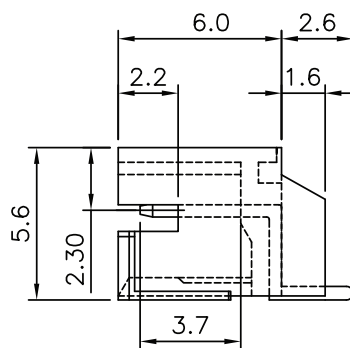
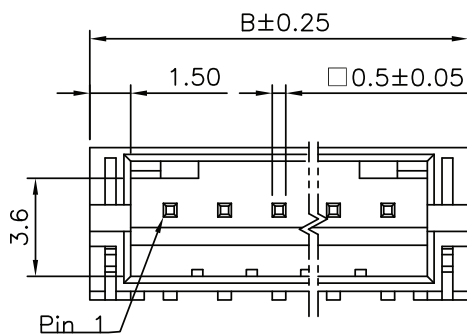


Recommnd PCB Layout



# of Contacts	Dimensions(mm)	
	A	B
2	2.00	8.00
3	4.00	10.00
4	6.00	12.00
5	8.00	14.00
6	10.00	16.00
7	12.00	18.00
8	14.00	20.00
9	16.00	22.00
10	18.00	24.00
11	20.00	26.00
12	22.00	28.00
13	24.00	30.00
14	26.00	32.00
15	28.00	34.00
16	30.00	36.00

ELECTRICAL:

CURRENT RATING: 2A AC/DC
 VOLTAGE RATING: 100V AC/DC
 CONTACT RESISTANCE: 20 mΩ max.
 WITHSTANDING VOLTAGE: 800V AC for 1 min.
 INSULATION RESISTANCE: 1000 MΩ min.
 TEMPERATURE RANGE: -25°C to 85°C

MATERIAL:

CONTACT: Copper Alloy, Tin Plated
 INSULATOR: Nylon 66 UL94V-0

HOW TO ORDER:

W 0 3 3 - X X 5 0 - X 0 X - Z
 # OF POSITIONS: (1 - 16)
 HOUSING & TERMINATION TYPE:
 5 - RIGHT ANGLE HEADER (SURFACE MOUNT)
 PACKAGING:
 PLATING:
 3 - High Temp, Matte Tin
 4 - High Temp, Luster Tin
 RoHS COMPLIANT

Rev	Drawn	Checked	Approved	Date
0	B.S.	S.M.	S.M.	5/3/07

SMP TECHNOLOGY, INC.

SCALE:n/a Header, 2.0mm Pitch, Right Angle, Surface Mount , JST PH Type