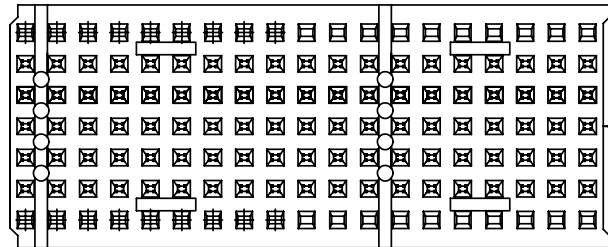
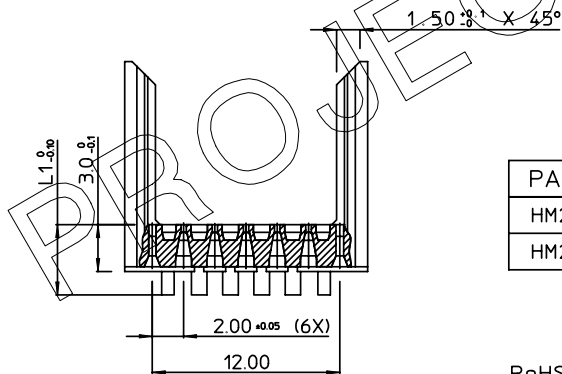
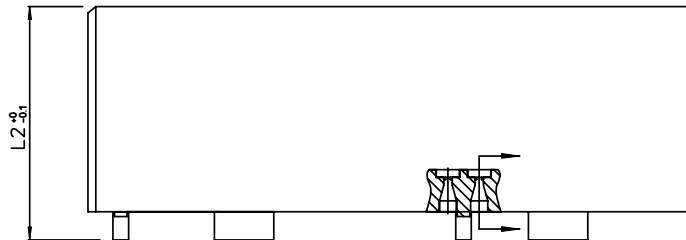


GEN. ST.	01	02	03	04	05	06	07	08	0D	50	60	70	80	90																	
INT. ST.	10	11	12	13	14	18	20	31	32	33	34	38	39	40	42	43	44	45	46	48	56	70	72	73	75	76	81	82	83	84	88

REV.	DATE	DESCRIPTION	BY	C'K'D'
A	2001-09-14	CONVERSION REVISION 00	KN	
B	2005-11-22	105-0241	ALEX B	BKP
C	2006-07-04	106-0096	VIVEK	BKP



ABRIDGED CAT No MARKED

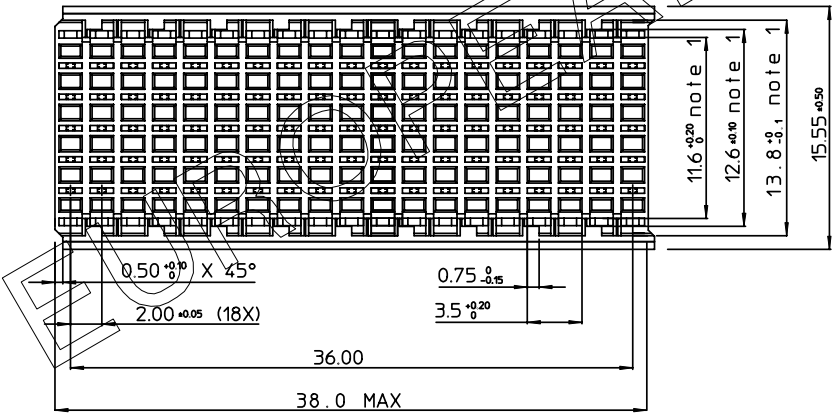


PART NUMBER	L1	L2
HM2H71P1TFLF	3.0	13.45
HM2H71P115TFLF	4.5	14.95

RoHS COMPATIBLE  
(DIGIT 13 & 14)

HM2H71P1--TFLF

STANDOFF HEIGHT INDICATOR



- NOTES:
1. MEASURED AT THE BOTTOM
  2. MATERIAL: PFTE REINFORCED LCP
  3. THE \*LF\* PRODUCT MEETS EUROPEAN UNION DIRECTIVES AND OTHER COUNTRY REGULATIONS AS DESCRIBED IN GS-22-008.
  4. PARTS WITH AND WITHOUT SUFFIX LF TO THE PRODUCT PART NUMBER ARE IDENTICAL IN FORM, FIT AND FUNCTION. LF SUFFIX IS ADDED TO THE PART NUMBER OF THIS PRODUCT TO HAVE UNIFORM IDENTIFICATION OF ALL RoHS COMPATIBLE PRODUCTS.

1DEC ±0.2 2DEC ±0.1 ANGLES ±1°	<b>APPR.</b>	<b>DATE</b>	<b>SGN.</b>	HM2 HEADER (TYPE B/19 POS) WITH PRESS-FIT CAVITIES
	DRAFT	2000-12-12	M.FRET	<b>CAT. No.</b> HM2H71P1--TFLF
	CHECKED			
WE RESERVE THE RIGHT TO CHANGE DIMENSIONS OR REQUIREMENTS WITHOUT PRIOR NOTICE.	PROD. MGR			SCALE
	PR. ENG. MGR			3/1
ALL DIMENSIONS IN MM	PR. MGT. MGR			



REFERENCES

BS,C ,201630,047 C  
DRAWING No. CUSTOMER DRAWING REVISION

THIS IS OUR EXCLUSIVE PROPERTY. IT IS NOT TO BE COPIED, REPRINTED OR DISCLOSED TO A THIRD PARTY, NOR USED FOR MANUFACTURING WITHOUT OUR WRITTEN CONSENT, AND HAS TO BE RETURNED TO US IN CASE OF NO USAGE  
DIT IS ONZE EIGENDOM EN MAG NOCH NAGEMAKT. HERDRUKT, OVERGEHAKT AAN DERDEN, NOCH VOOR FABRIKATIE GEBRUIKT WORDEN, ZONDER ONZE SCHRIFTELIJKE TOELATING, BIJ NIET GEBRUIK IS TERUGZENDING VERPLICHT.