



SURFACE MOUNT LED T-1(3mm)
RIGHT ANGLE-HIGH BRIGHTNESS
WIDE ANGLE VIEWING

RED **YELLOW**
AMBER
GREEN **RED/**
BLUE **GREEN**

SERIES 6250F

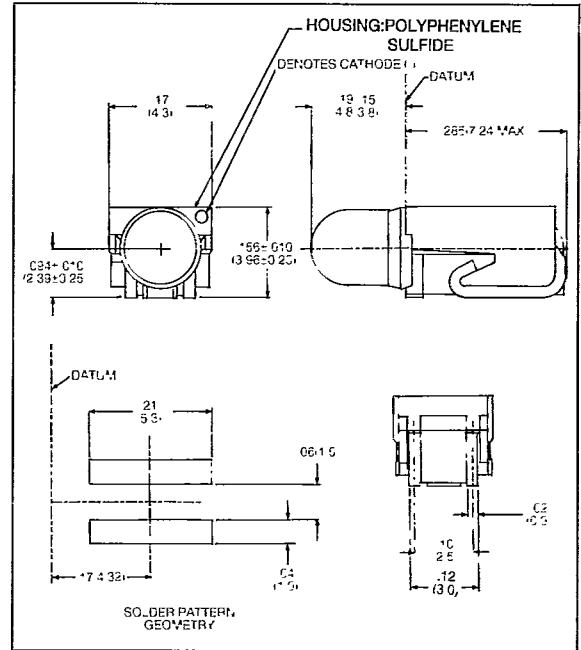
FEATURES

- Available in all colors – Red, amber, green, blue and yellow.
- Bi-color – Red/green, brightness matched chips.
- T-1 right angle mounting.
- High Brightness – uniform light output.
- Direct optics, no bends/no losses
- Wide angle visibility – high profile LED for thru-panel applications.
- Available options:
 High efficiency, low current (2mA).
 Built-in resistors – operate at 5 volt or 12 volt.
- IR and vapor phase compatibility.
- High contrast black housing, meets UL 94V-O.
- Compact-only 3.8mm high.
- Anti-static tape-and-reel packaging for auto-insertion (per EIA SPEC 481).
- Patents pending.



OUTLINE DIMENSIONS

T-41-23



SPECIFICATIONS	COLOR	TYPICAL INTENSITY	RATED CURRENT	CONTINUOUS FORWARD CURRENT-MAX.	FORWARD VOLTAGE TYP.	FORWARD VOLTAGE MAX.	REVERSE BREAKDOWN VOLTAGE MIN.	PEAK WAVE LENGTH	
MODEL NO.		mcd	mA	mA	V	V	V	nm	
6250F1	RED	10.0	10.0	25	2.2	3.0	5	635	STANDARD OPTIONS
6250F3	AMB	6.5	10.0	25	2.2	3.0	5	600	
6250F5	GRN	8.5	10.0	25	2.3	3.0	5	565	
6250F6	BLUE	1.3	30.0	35	3.2	3.5	5	470	
6250F7	YEL	10.0	10.0	20	2.2	3.0	5	583	LOW CURRENT
6250F1LC	RED	1.8	2.0	25	1.8	2.2	3	635	
6250F5LC	GRN	1.6	2.0	25	1.8	2.2	3	563	
6250F7LC	YEL	1.6	2.0	25	1.9	2.7	3	585	BI-COLOR
6250F1/5	RED/GRN	10.0	20.0	30	2.1	3.0	5	650/567	
6250F1-5V	RED	2.5	13.0	20	5.0	7.5	5	655	BUILT-IN RESISTOR 5 VOLTS
6250F5-5V	GRN	8.0	10.0	15	5.0	7.5	5	565	
6250F7-5V	YEL	8.0	12.0	15	5.0	7.5	5	583	
6250F1-12V	RED	3.0	13.0	20	12.0	15.0	5	655	BUILT-IN RESISTOR 12 VOLTS
6250F5-12V	GRN	8.0	13.0	20	12.0	15.0	5	565	
6250F7-12V	YEL	8.0	13.0	20	12.0	15.0	5	583	

Industrial Devices, Inc., 260 Railroad Ave., Hackensack, NJ 07601 • (201)489-8989 • FAX: (201) 489-6911



SURFACE MOUNT LED T-1(3mm)

24mm WIDE TAPES - 1000 LEDS PER REEL

RED
AMBER
GREEN
BLUE

YELLOW
RED/
GREEN

T-41-23

SERIES 6250F PACKAGING

