

## HB/HC Series

Break Away Header

.025" (0.64mm) Square Posts

P/N Description

# HB 12 20 1

1 2 3 4

### Performance Characteristics:

#### Electrical Characteristics

Insulation Resistance: 5000 MΩMin  
 Dielectric Withstanding Voltage: 1000V AC Min  
 at Sea Level  
 Voltage Rating: 250V AC  
 Temperature Rating: -55°C to + 105°C

#### Mechanical Characteristics

Contact Retention: 2 Lbs. Min

#### Materials

Insulators: Thermoplastic Nylon, UL 94V-0, Molded Black  
 Contact: Phosphor Bronze 15 μ" Hard Gold Overall

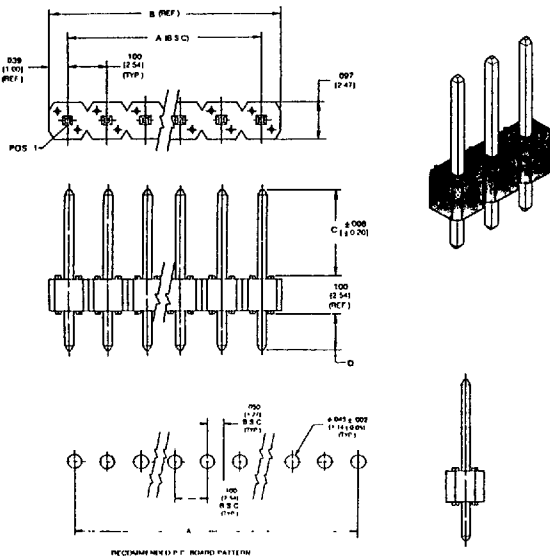
#### Dimensions

Circuits	Dim. A*	Dim. B*	Circuits	Dim. A*	Dim. B*
2	.100 2.54	.190 4.83	3	.200 5.08	.290 7.37
*For circuit sizes 4 through 40 add .100" or 2.54mm for each additional pin					

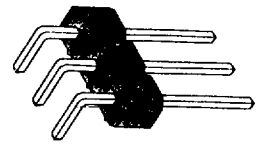
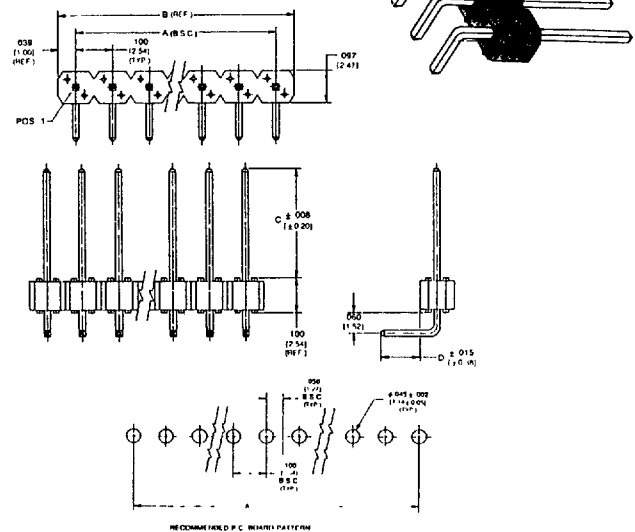
- 1 Series Prefix**  
HB: Single Row  
HC: Double Row
- 2 Termination Style**  
See Chart Below
- 3 Contact Positions**  
Insert Number of Single Row  
Circuits of 1 through 40
- 4 Contact Finish**  
0: Tin/Lead  
1: Gold Flash  
7: 15μ" Gold Plating  
3: 30μ" Gold Plating

Mating Length:		C: .230	C: .230	C: .318	C: .318
Tail Length:		D: .110	D: .125	D: .110	D: .125
Termination Style	Contact Finish	P/N	P/N	P/N	P/N
Single Row Straight	Tin/Lead	HB11XX0	HB12XX0	HB08XX0	HB13XX0
	Gold Flash	HB11XX1	HB12XX1	HB08XX1	HB13XX1
	15μ" Gold	HB11XX7	HB12XX7	HB08XX7	HB13XX7
	30μ" Gold	HB11XX3	HB12XX3	HB08XX3	HB13XX3
Single Row Right Angle	Tin/Lead	HB02XX0	HB14XX0	HB04XX0	HB15XX0
	Gold Flash	HB02XX1	HB14XX1	HB04XX1	HB15XX1
	15μ" Gold	HB02XX7	HB14XX7	HB04XX7	HB15XX7
	30μ" Gold	HB02XX3	HB14XX3	HB04XX3	HB15XX3
Double Row Straight	Tin/Lead	HC11XX0	HC12XX0	HC08XX0	HC13XX0
	Gold Flash	HC11XX1	HC12XX1	HC08XX1	HC13XX1
	15μ" Gold	HC11XX7	HC12XX7	HC08XX7	HC13XX7
	30μ" Gold	HC11XX3	HC12XX3	HC08XX3	HC13XX3
Double Row Right Angle	Tin/Lead	HC02XX0	HC14XX0	HC04XX0	HC15XX0
	Gold Flash	HC02XX1	HC14XX1	HC04XX1	HC15XX1
	15μ" Gold	HC02XX7	HC14XX7	HC04XX7	HC15XX7
	30μ" Gold	HC02XX3	HC14XX3	HC04XX3	HC15XX3

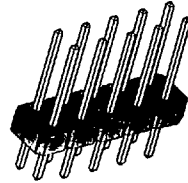
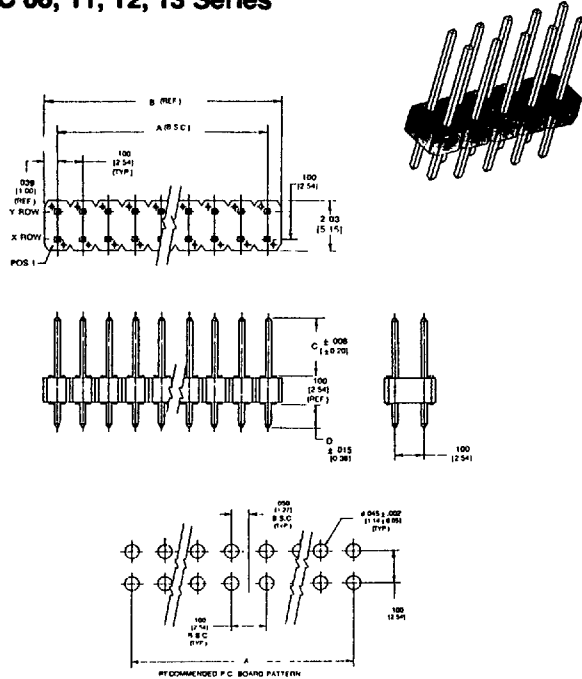
## Single Row Straight HB 08, 11, 12, 13 Series



## Single Row Right Angle HB 02, 04, 14, 15 Series



## Single Row Straight HC 08, 11, 12, 13 Series



## Single Row Right Angle HC 02, 04, 14, 15 Series

