



SPRAGUE-GOODMAN ELECTRONICS, INC.

1700 Shames Drive, Westbury, NY 11590
Tel: (516) 334-8700 • Fax: (516) 334-8771 • www.spraguegoodman.com

Ceramic High Voltage Nonmagnetic Trimmer Capacitors

SGNMNC1 Series

(0.27"/6.9 mm diameter by 1.63"/41.4 mm long)

Model Number	Capacitance Range (pF)	Minimum Q (at 25 MHz)	Rated DC Working Voltage (kV)	Dielectric Withstanding Voltage (kV)
SGNMNC1054	0.5 to 5	2000	4	8
SGNMNC1056	0.5 to 5	2000	6	12
SGNMNC1059	0.5 to 5	2000	8.75	17.5
SGNMNC1103	1.0 to 10	1700	3	6
SGNMNC1106	1.0 to 10	1700	6	12
SGNMNC1108	1.0 to 10	1700	7.5	15
SGNMNC1152	1 to 15	1500	2	4
SGNMNC1156	1.5 to 15	1500	6	12
SGNMNC1206	2 to 20	1500	6	12

Options:

1. For an extended adjusting shaft, add suffix "E" to the model number.
2. For a model that can operate and be tuned at temperatures as low as 4 K, add suffix "K" to the model number. Note that the cryogenic version is not sealed.
3. For a version that does not include a wire lead attached to the stator terminal, add suffix "NL" to the model number.
4. Other stator terminations are available. Contact the factory.



Ceramic High Voltage Nonmagnetic Trimmer Capacitors

SGNMNC2 Series

(0.55"/14 mm diameter by 1.8"/46 mm long)

Model Number	Capacitance Range (pF)	Minimum Q (at 25 MHz)	Rated DC Working Voltage (kV)	Dielectric Withstanding Voltage (kV)
SGNMNC2106	1.0 to 10	3000	6	12
SGNMNC2156	1.5 to 15	2000	6	12
SGNMNC2206	2.0 to 20	1500	6	12
SGNMNC2236	2.0 to 23	1200	6	12
SGNMNC2256	3.0 to 25	1200	6	12
SGNMNC2306	3.0 to 30	600	6	12
SGNMNC2356	3.5 to 35	600	6	12
SGNMNC2406	4.0 to 40	500	6	12
SGNMNC2502	5.0 to 50	500	2.5	5


Options:

1. For an extended adjusting shaft, add suffix "E" to the model number.
2. For a model that can operate and be tuned at temperatures as low as 4 K, add suffix "K" to the model number. Note that the cryogenic version is not sealed.
3. For a version that does not include a wire lead attached to the stator terminal, add suffix "NL" to the model number.
4. Other stator terminations are available. Contact the factory.

CERAMIC HIGH VOLTAGE NON-MAGNETIC TRIMMER CAPACITORS

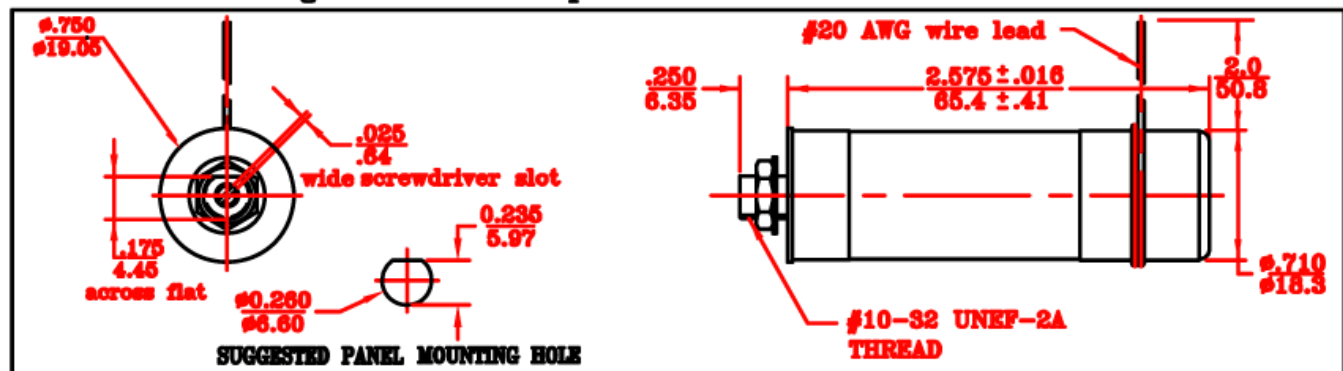
TABLE # 3

SGNMNC3 Series

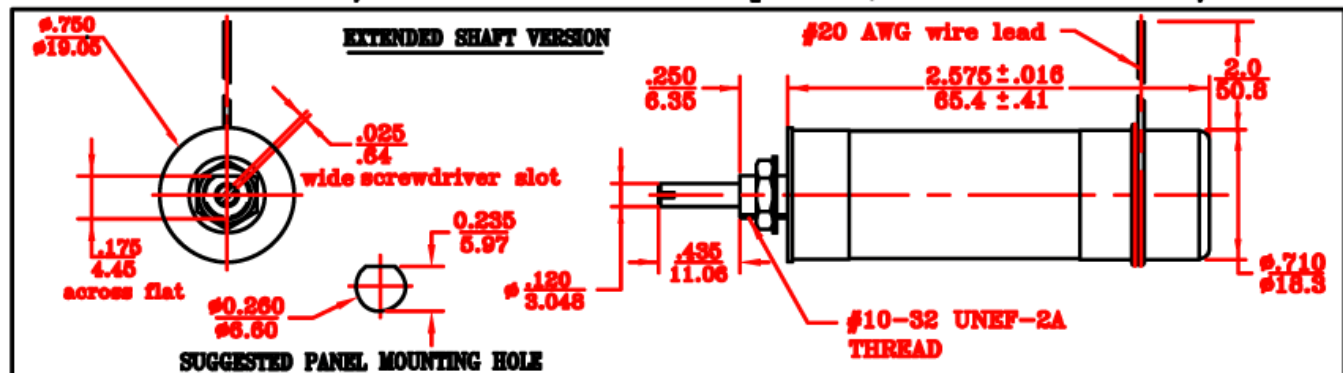
Model Number	Capacitance Range (pF)		Q min (at 25 MHz) C max	Rated DC Working Voltage (kV)	Dielectric Withstanding Voltage (kV)	"NL" version shown 
	Min	Max				
SGNMNC3101	1.0	10.0	2000	1.5	3	
SGNMNC3103	1.0	10.0	2000	3	6	
SGNMNC3106	2.0	10.0	1800	6	12	
SGNMNC3153	1.5	15.0	2000	3	6	
SGNMNC3205	3.0	20.0	600	4.5	9	
SGNMNC3253	5.0	25.0	1200	3	6	
SGNMNC3256	7.0	25.0	1200	6	12	
SGNMNC3306	4.0	30.0	1000	6	12	
SGNMNC3505	5.0	50.0	700	4.5	9	
SGNMNC3706	2.0	70.0	600	6	12	
SGNMNC3708	6.5	70.0	600	7.5	15	
SGNMNC3806	5.0	85.0	500	6	12	
SGNMNC31006	10.0	100.0	500	6	12	

Options:

1. For an extended adjusting shaft, add suffix "E" to the model number.
2. For a model that can operate and be tuned at temperatures as low as 4K, add suffix "K" to the model number. Note that the cryogenic version is not sealed.
3. For a version that does not include a wire lead attached to the stator terminal, add suffix "NL" to the model number.
4. Other leads configurations and capacitance values are available. Contact the factory.



All dimensions are in/mm. Unless otherwise specified, tolerance is $\pm 0.016/0.05$



SPRAGUE-GOODMAN ELECTRONICS, INC.

1700 Shames Drive Westbury, NY 11590 Tel: 516-334-8700 Fax: 516-334-8771
www.spraguegoodman.com

