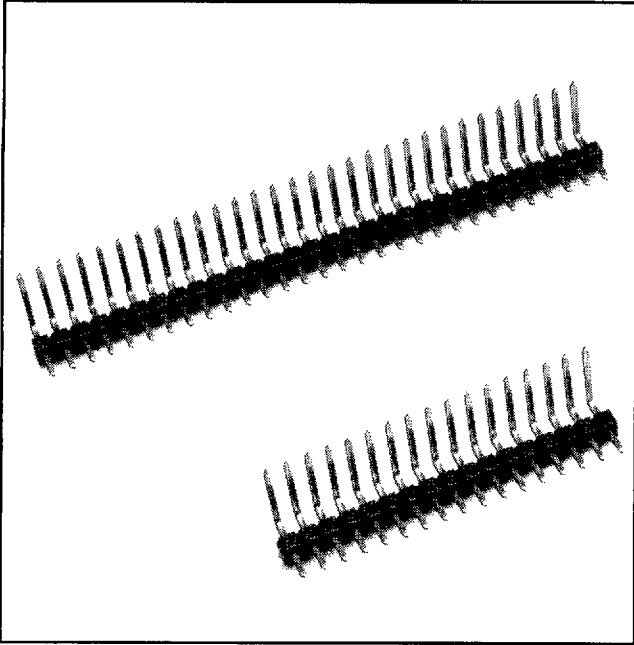


.100" Pin Strip Header

.295 Right Angle Mating Length, Straight Solder Tails

929 Series



- Stackable
- Tin lead or gold plating available
- Solder stand-offs facilitate production wave soldering
- Board pin retention feature available

53

TS-0155-06
Sheet 1 of 2

Physical

Insulation

Material: Glass Filled Polyester (PBT)
Flammability: UL 94V-0
Color: Black

Contact

Material: Copper Alloy
Plating
Underplate: 50 μ " [1.27 μ m] Nickel — QQ-N-290, Class 2
Wiping Area & Solder Tails: Gold — MIL-G-45204, Type II, Grade C or
Tin Lead — MIL-P-81728

Note: The location and thickness of the contact plating is determined by the part number. Refer to ordering information.

Electrical

Current Rating: 2.5 A
Insulation Resistance: $>5 \times 10^9 \Omega$ at 500 VDC
Withstanding Voltage: 1500 Vrms at Sea Level

Environmental

Temperature Rating: -40°C to $+105^\circ\text{C}$

UL File No.: E68080

3M Electronic Products Division

6801 River Place Blvd.
Austin, TX 78726-9000

9005413 0000148 948

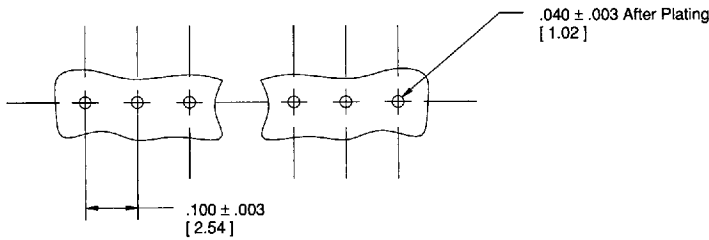
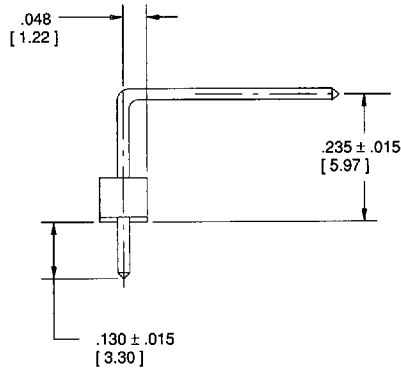
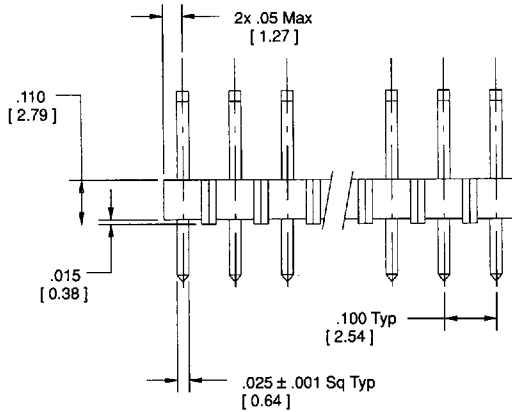
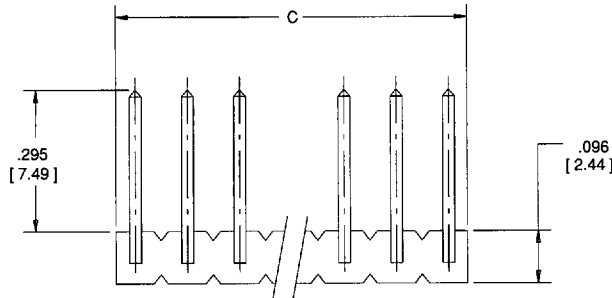
.100" Pin Strip Header

.295 Right Angle Mating Length, Straight Solder Tails

929 Series

Sheet 2 of 2

TS-0155-06



Recommended Hole Pattern

Notes:

1. Dimension C is a maximum when the pin strip is cut to length, not when the strip is broken to length.
2. Board pin retention feature available: Change from "929" to "9R9" when ordering.

Pin Qty Code	Dim C (Max) See Note 1
01	.10 [2.5]
02	.20 [5.1]
03	.30 [7.6]
04	.40 [10.2]
05	.50 [12.7]
06	.60 [15.2]
07	.70 [17.8]
08	.80 [20.3]
09	.90 [22.9]
10	1.00 [25.4]
11	1.10 [27.9]
12	1.20 [30.5]
13	1.30 [33.0]
14	1.40 [35.6]
15	1.50 [38.1]
16	1.60 [40.6]
17	1.70 [43.2]
18	1.80 [45.7]
19	1.90 [48.3]
20	2.00 [50.8]
21	2.10 [53.3]
22	2.20 [55.9]
23	2.30 [58.4]
24	2.40 [61.0]
25	2.50 [63.5]
26	2.60 [66.0]
27	2.70 [68.6]
28	2.80 [71.1]
29	2.90 [73.7]
30	3.00 [76.2]
31	3.10 [78.7]
32	3.20 [81.3]
33	3.30 [83.8]
34	3.40 [86.4]
35	3.50 [88.9]
36	3.60 [91.4]

Inch
[mm]

Tolerance Unless Noted			
	.0	.00	.000
Inch	± .1	± .01	± .005

[] Dimensions for Reference Only

Ordering Information

9295X0-01-XX-X

Plating:

- 0 = Wiping Area & Tails
100 μ" [2.54 μm] Tin Lead
- 5 = Wiping Area & Tail: Gold

Pin Quantity:

See Table 1

Gold Plating Thickness:

(No entry required for Tin Lead Product)

I = 10 μ" [0.25 μm] all over