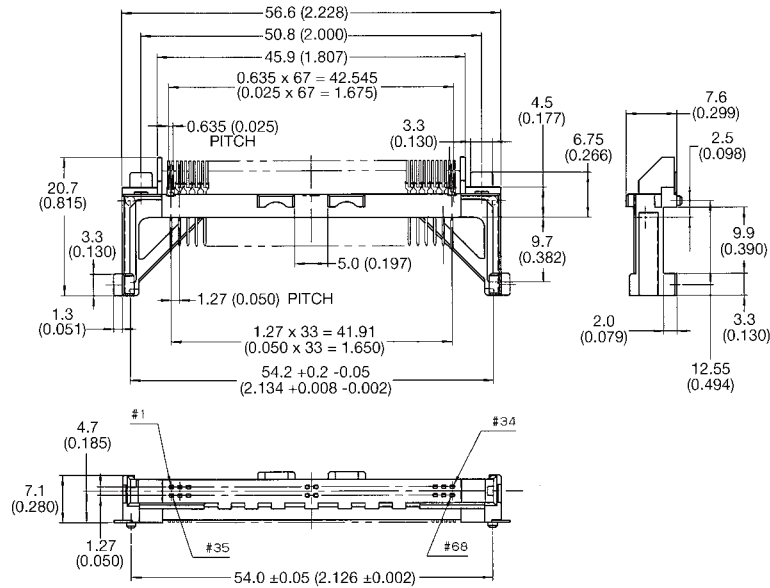


PCMCIA PC Memory Card Connectors



Series 5027 Header/Ejector H=2.2mm

CONNECTOR

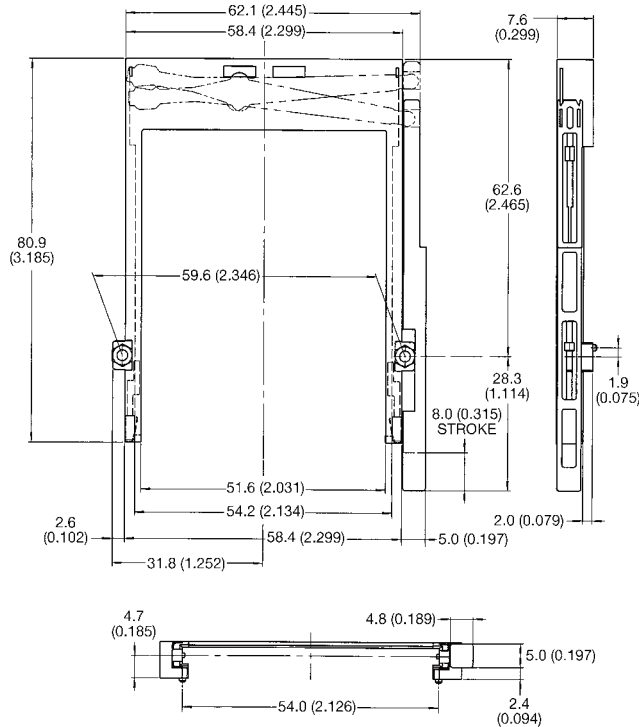


HOW TO ORDER

31 5027 068 110 871

Variation Code
See page 14

EJECTOR



HOW TO ORDER

30 5027 000 101 000

Variation Code
See page 14

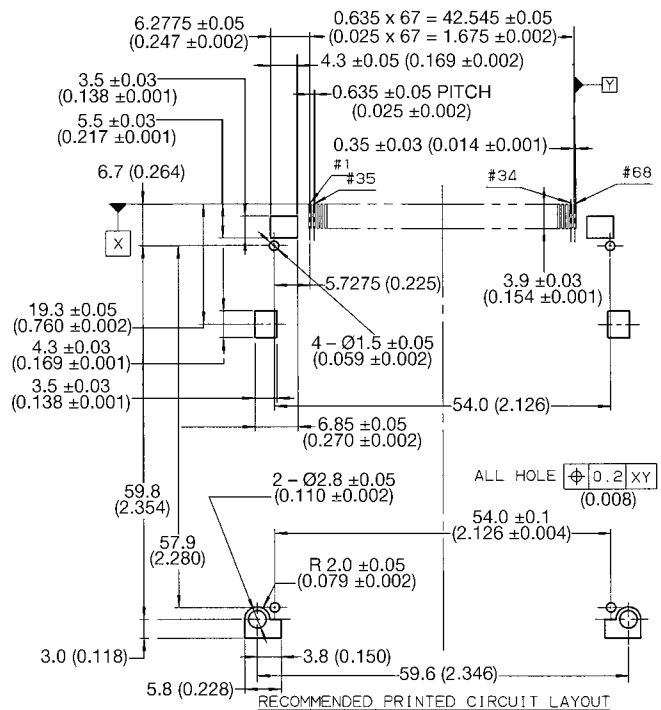
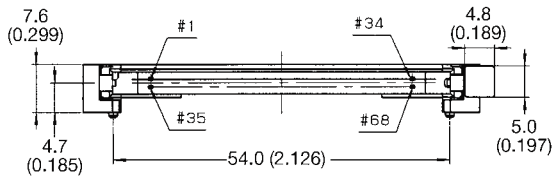
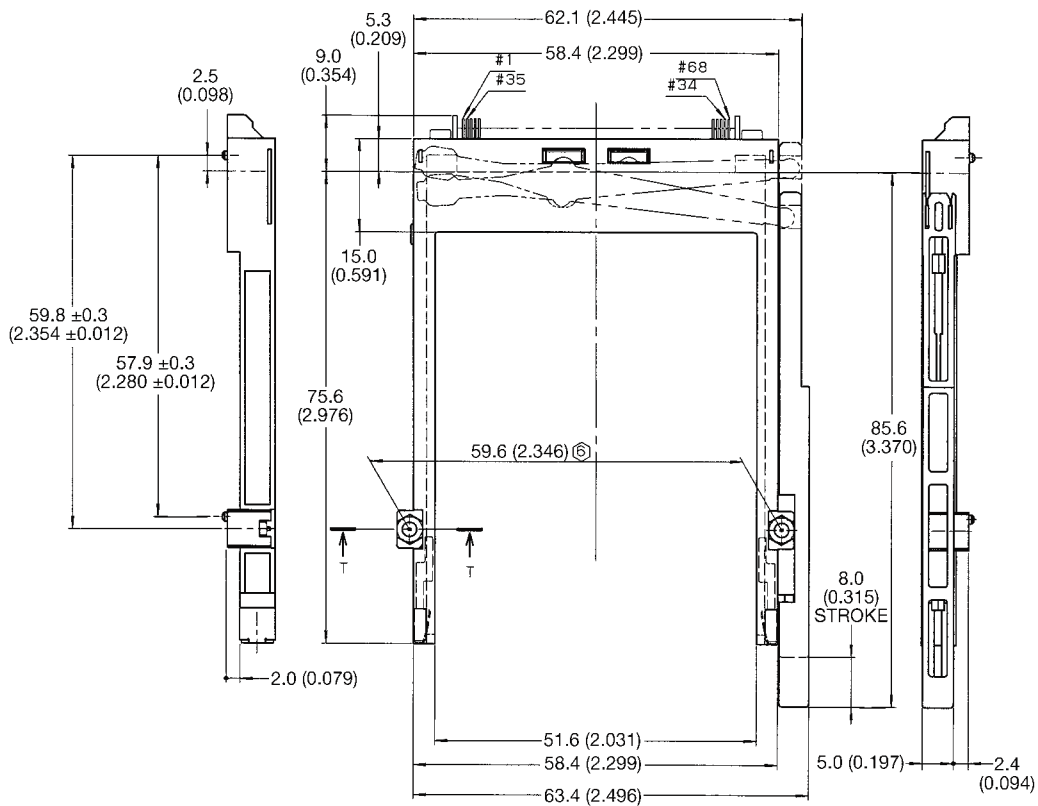


PCMCIA PC Memory Card Connectors



Series 5027 Header/Ejector H=2.2mm

ASSEMBLY



See page 14 for How To Order

