

Protection from Surge

SSMini-5pin T.V.S. Diode (TV068E20W060)

■ Overview

Newly developed T.V.S. (Transient Voltage Suppressor)
Diode with SSMini-5pin package against lightning/ESD.

■ Feature

- Industry's top level of Low Vc and High Ipp: Vc=8.8V typ. (at IPP=5A) .
- 4 elements in one package (anode common).

■ Applications

Best used for surge protection of Power supply lines and I/O lines.

■ Main Characteristics

- Absolute Maximum Ratings

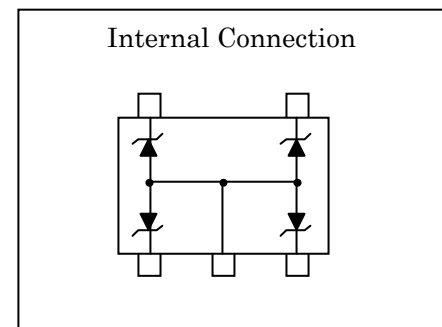
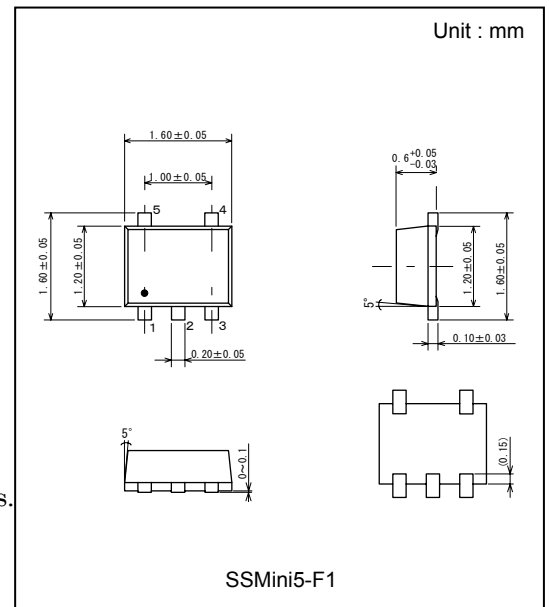
Parameter	Symbol	Rating
Peak Pulse Power *1	PPP	60W
Peak Pulse Current *1	IPP	5A
ESD *2	VESD	±20kV
Junction Temperature	Tj	150°C
Storage Temperature	Tstg	-55 to +150 °C

*1 : IEC61000-4-5(8/20μs)

*2 : IEC61000-4-2 (Contact Mode)

- Electrical Characteristics (Ta=25°C)

Tentative No.	Package	Clamping Voltage	Breakdown Voltage	Junction Capacitance
		Vc typ. (max.) IPP=5A	VBR	Ct typ. 0V, 1MHz
TV068E20W060	SSMini-5pin	8.8V (12V)	6.8 V	35pF



■ Characteristics Diagrams

