

SINGLE ROW TOP ENTRY SMT HEADER



1158 SERIES. 1.25 (0.049") mm pitch.

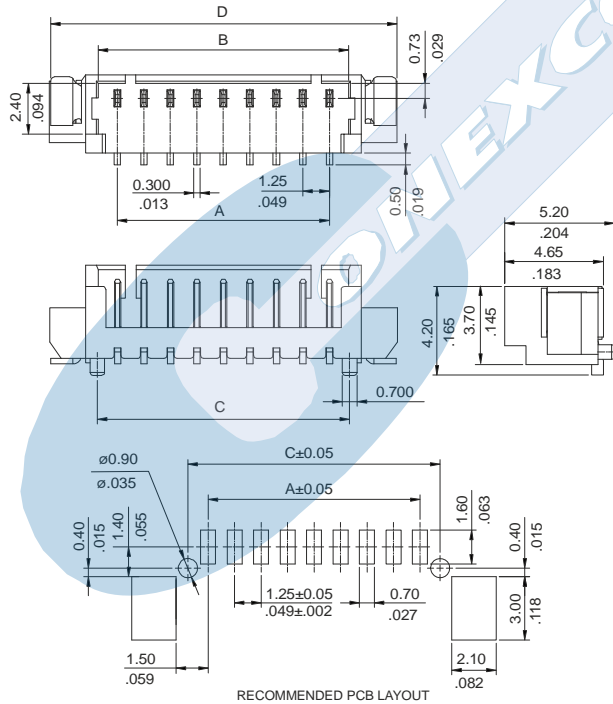
General Features

- Available in 2 through 15 circuits
- Mates with 1.25 mm crimp housing 1154 series
- Tin plated pin
- Locking slots provide secure mating
- Polarization and low profile

Materials

- Insulator: Polyester 66 UL 94 V-0
- Contact: Tin plated brass
- Operating temperature: -25°C to +85°C
- RoHS compliant

Dimension Information



RECOMMENDED PCB LAYOUT

Electrical Features

- Voltage rating: < 125V
- Current rating: < 1 A
- Contact resistance: < 20 mΩ
- Dielectric withstanding voltage: 250 V AC/minute
- Insulation Resistance: >100 MΩ

Mechanical features

- Pin retention force to insulator: > 0.80 Kg f
- Durability: 25 cycles



1158 - T- XX- 1
1 2 3 4

1. Connector Serie

2. (T) Contacts Plating

- T = 2. Tin plated.
RECOMMENDED FINISH

3. (XX) Number of circuits

- Available in 2 through 15 circuits

4. (E) Packing Options

- E = 1. Pad + Tube
- E = 2. Pad + Reel

Dimensions: (In mm.)

A = 1.25 x (XX-1)
B = 1.25 x (XX)+1.85
C = 1.25 x (XX)+1.90
D = 1.25 x (XX)+5.10

(XX) = Number of circuits

