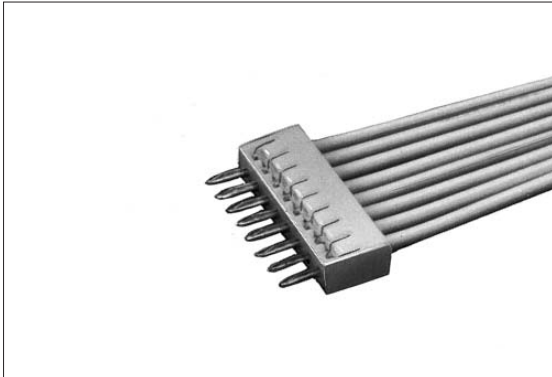


DP-15 Series 1.5mm Pitch



■ Features

1. Only 4.0mm height and 2.5mm width.
2. Available in 14 different pin types ranging from 2P to 15P.

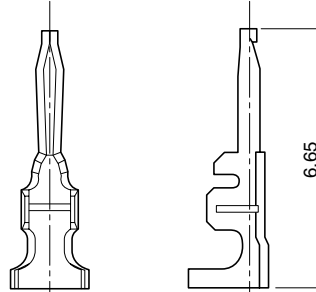
■ Specification

1. Rating : 1A, 50V AC/DC
2. Contact Resistance : 20mΩ max., initially
3. Insulation Resistance : 1000MΩ min. at 500V DC
4. Withstanding Voltage : 500V AC (for one minute)
5. Operating Temperature Range : -25°C to +85°C

■ Material and Plating

- **Housing** : Thermoplastic Resin, Natural Color, 94V-0
- **Terminal** : Cu Alloy, Sn Plating (Reflow Treatment)

● Terminal



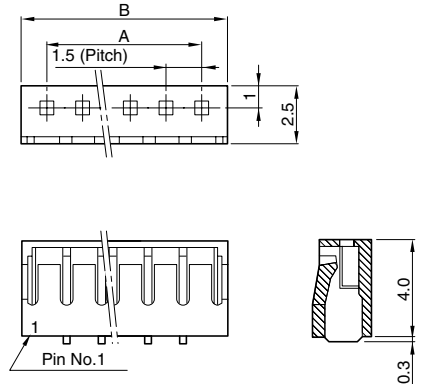
Part No.	Applicable Electrical Wire Size (AWG)	Electrical Wire Sheath Dia. (mm)	Material	Plating	No. of Terminal/ Reel
CTA9126-0101F	26~32	φ0.9~0.6	Cu Alloy	Sn (Reflow Treatment)	15,000

● Housing

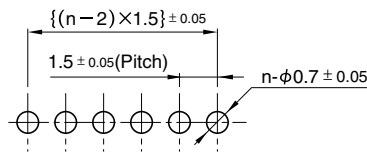
CDP 59□□-0101

↑ No. of Pins

□□ No. of Pins	Part No.	A	B
2	CDP5902-0101	1.5	3.7
3	CDP5903-0101	3.0	5.2
4	CDP5904-0101	4.5	6.7
5	CDP5905-0101	6.0	8.2
6	CDP5906-0101	7.5	9.7
7	CDP5907-0101	9.0	11.2
8	CDP5908-0101	10.5	12.7
9	CDP5909-0101	12.0	14.2
10	CDP5910-0101	13.5	15.7
11	CDP5911-0101	15.0	17.2
12	CDP5912-0101	16.5	18.7
13	CDP5913-0101	18.0	20.2
14	CDP5914-0101	19.5	21.7
15	CDP5915-0101	21.0	23.2



■ P.C. Board Dimension (t=0.8~1.2)



■ Structural Diagram

