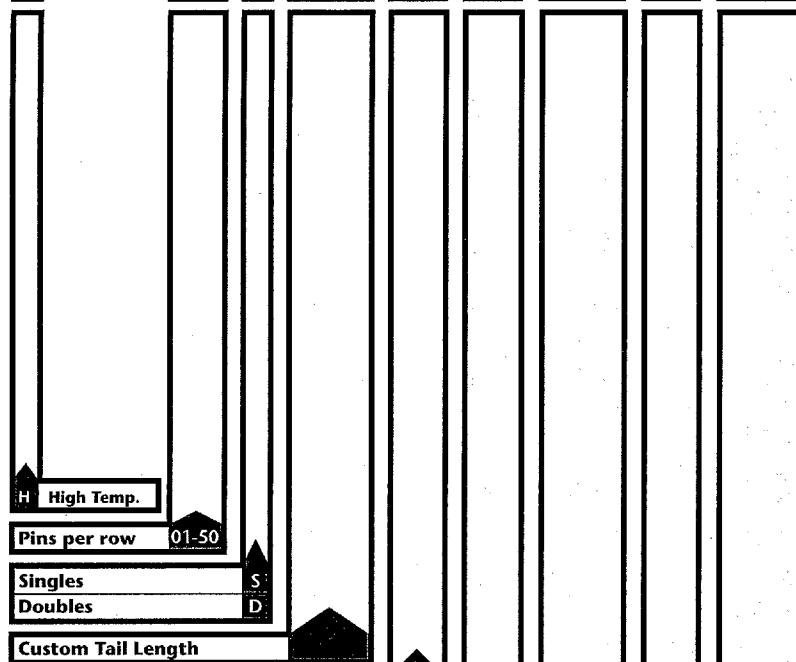


MAJOR LEAGUE ELECTRONICS

2mm (.079") c.l. Board Stacker Terminal Strips - Right Angle Custom



BSTCR-2



H High Temp.

Pins per row 01-50

Singles S

Doubles D

Custom Tail Length

Lead Style	Length (in)	Length (mm)
02	.397	(10,08)
04	.417	(10,59)
05	.456	(11,58)
06*	.555	(14,10)
08*	.575	(14,61)
10	.594	(15,09)
12	.614	(15,60)
14	.637	(16,18)
18*	.752	(19,10)
22*	.831	(21,11)

(Metric Dimensions) * Not available on Doubles

Plating Options

G = 10µ in gold in contact area, gold flash on

GT = 10µ in gold in contact area, 200µ in tin/lead on tail

H = 30µ gold on contact area, 200µ in tin/lead on tail

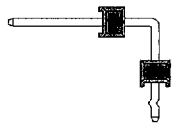
T = 200µ in tin/lead over entire pin

Other plating options available upon request

Custom Board Space

Lock Tight Option

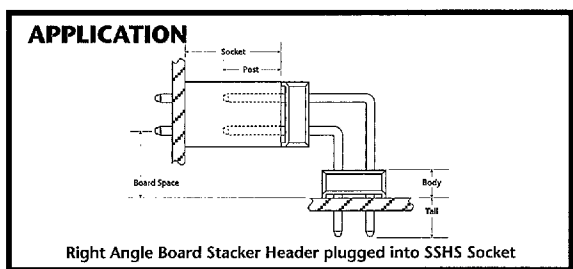
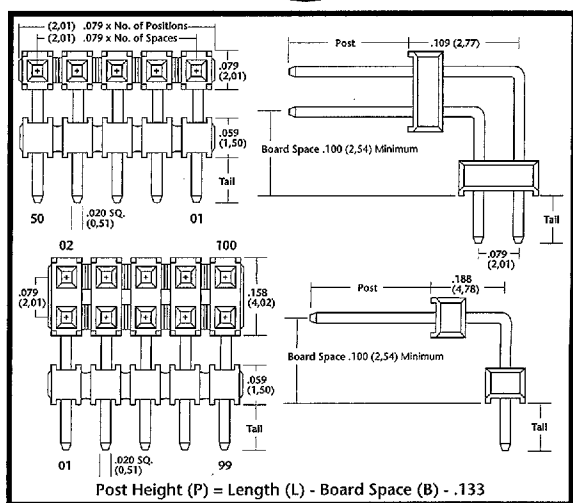
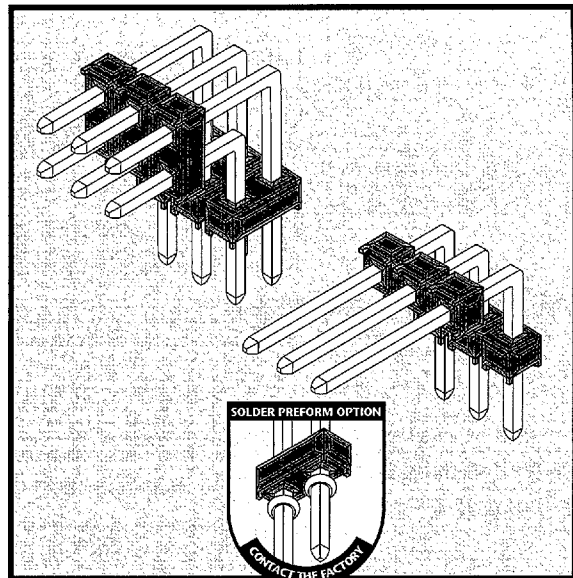
Two tails per strip are crimped in opposing directions on or near the centerline. Must have a minimum tail dimension of .090". Recommended hole size of .040".



Position for Polarization Option

001-100

Mates with: SSSH, SSSHR, SH, BSSH, BSSHC, BSSQ, SSSHM, SSSHQ, SSSHQ



Product cut to specific sizes is noncancellable/nonreturnable. Parts are subject to change without notice.

Materials & Performance Specifications

	STANDARD	HIGH TEMPERATURE
Insulator	Black, glass filled, polyester	High temperature thermoplastic
Terminal	Phosphor Bronze	Phosphor Bronze
Insulation Resistance	5,000M Ω minimum	5,000M Ω minimum
Flammability	UL 94V-O	UL 94V-O
Temperature Range	-65°C to +125°C	-65°C to +250°C
Current Rating	2 ampere	2 ampere
Plating	All Plating Options over 50µ in Ni	All Plating Options over 50µ in Ni

