

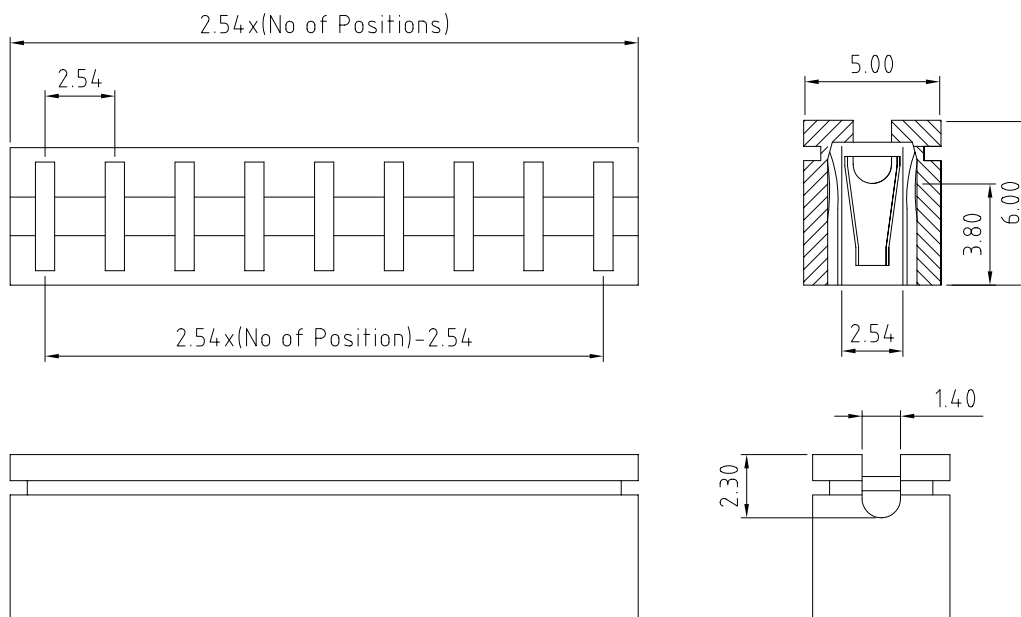
BB02-QE: 2.54MM MULTI JUMPER. MULTI-POSITION CONNECTOR 4 TO 20 CONTACTS

FEATURES

MULTI-POSITION JUMPER ALLOWS FOR MULTIPROGRAMMING  
DUAL BEAM CONTACT

SPECIFICATIONS

CURRENT RATING	3 AMPs
INSULATOR RESISTANCE	5000 MEGOHMS MIN.
CONTACTS RESISTANCE	20 M OHMS MAX.
DIELECTRIC WITHSTANDING	AC 1000 V
OPERATING TEMPERATURE	-40° TO +105°C
CONTACT MATERIAL	COPPER ALLOY
INSULATOR MATERIAL	POLYESTER UL 94V-0
FINISH	STANDARD PBT GOLD PLATED



HOW TO ORDER



NO. OF CONTACTS  
04 TO 20  
(2 TO 10 POSITION)

PACKAGING OPTIONS  
1 - LOOSE IN BAG

Scale: 5:1	THIRD ANGLE	Unstated Tolerances: 0 Dec Places 1 Dec Places 2 Dec Places 3 Dec Places	Material SEE NOTE	www.gradconn.com	Type: BB02-QE
Drawn: NJR					BB02-QE
App'd: XXXX	MULTI-POSITION SHUNT		NOT TO SCALE		Drawing Number:
Date: 30 OCT 03	Revision A				Sheet 1 of 1
				© THIS DRAWING IS CONFIDENTIAL AND MUST NOT BE COPIED OR DISCLOSED WITHOUT WRITTEN CONSENT	Drawing © E and OE