

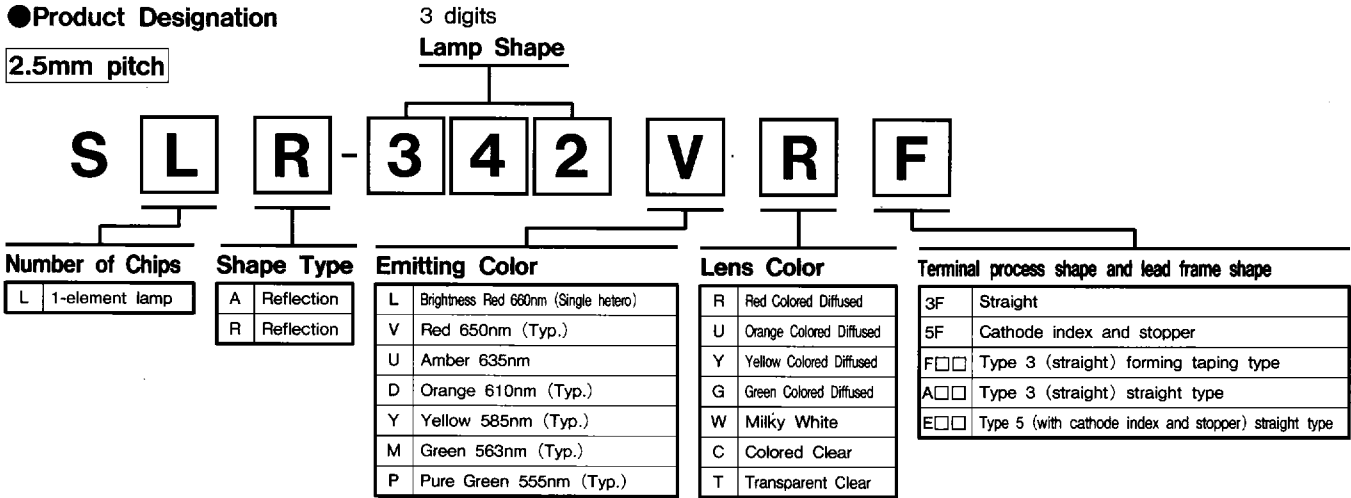
LED Indicator Lamps (SLA · SLR)

Direct mount LED lamps

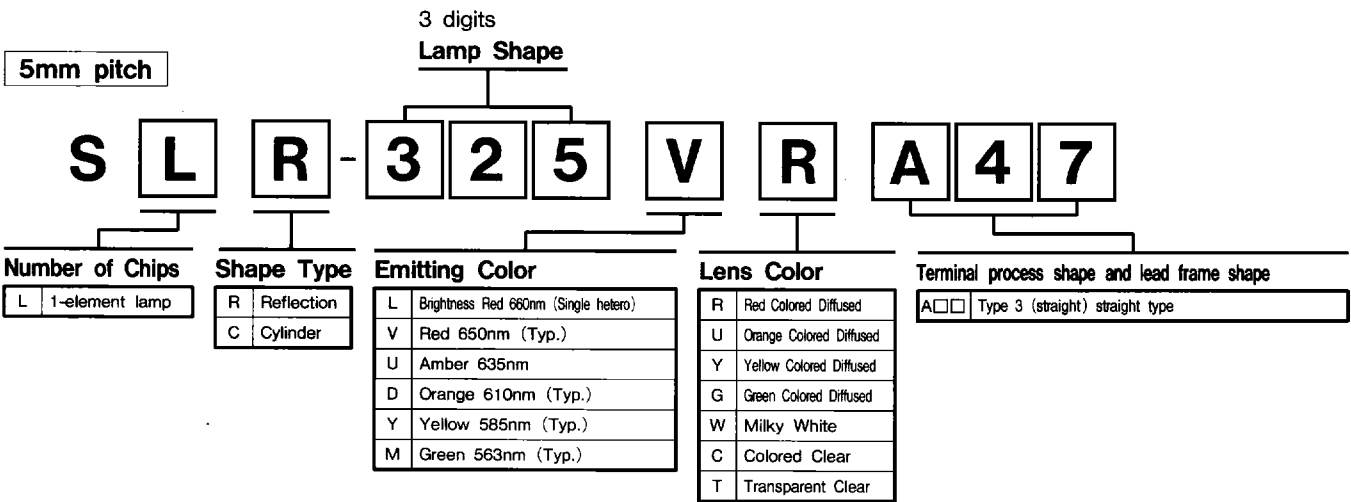
Lead pitch of 2.5mm and 5mm allow direct mount on PCB by using an automatic placement machine.
Direct mount lamps won't fall down.

●Product Designation

2.5mm pitch



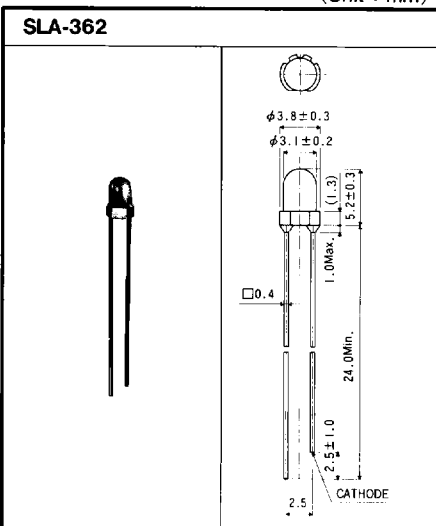
5mm pitch



●High luminance reflector types (SLA)

Emitter surface size (mm)	Lens	Part No.	Emitting color	Emitting material	λ_p (nm)	Basic ordering unit	Quantity /package	Quantity /bag	Rank
$\phi 3$	Transparent clear	SLA-362LT	Red	GaAlAs	660	2,000	2,000	100	○
		SLA-362MT	Green	GaP	563				

(Unit : mm)



● Reflector types (SLR)

Type	Emitter surface size (mm)	Series name	Lens	Emitting color Emitting material λ_p (nm)	Red		Amber	Orange	Yellow	Green	Pure Green	Basic ordering unit	Quantity /package	Quantity /bag	Rank
					GaAlAs	GaAsP on GaP	GaAsP on GaP	GaAsP on GaP	GaAsP on GaP	GaP	GaP				
					660	650	635	610	585	563	555				
Reflector types	$\phi 3.2$	SLR-332	Transparent clear		VT	UT	DT	YT	MT	PT		2,000	2,000	100	◎
			Colored clear		VC		DC	YC	MC	PC					
			Colored diffused		VR		DU	YY	MG						
			Milky white												
	$\phi 3.1$	SLR-342	Transparent clear	LT*3	VT	UT	DT	YT	MT	PT		2,000	2,000	100	◎
			Colored clear	LC*3	VC	UC	DC	YC	MC	PC					
			Colored diffused	LR*3	VR	UR	DU	YY	MG	PG					
			Milky white	LW*3	VW	UW	DW	YW	MW						
	$\phi 3.2$	SLR-325	Transparent clear									2,000 (Straight tapping only)	2,000	-	◎
			Colored clear		VC		DC	YC	MC						
			Colored diffused	LR	VR			YY	MG						
			Milky white												
	$\phi 5.0$	SLR-505	Transparent clear									2,000 (Straight tapping only)	2,000	-	◎
			Colored clear		VC		DC		MC						
			Colored diffused	LR	VR			YY	MG						
			Milky white												

Note : *3 Need a certain lead time for delivery.

◎ : Standard products

(Unit : mm)

<p>SLR-332</p>	<p>SLR-342</p>
<p>SLR-325</p>	<p>SLR-505</p>

LED Indicator Lamps

LED

Taping condition
Page 223
Taping Specifications

Page 223

LED Indicator Lamps (SLC)

Direct mount LED lamp

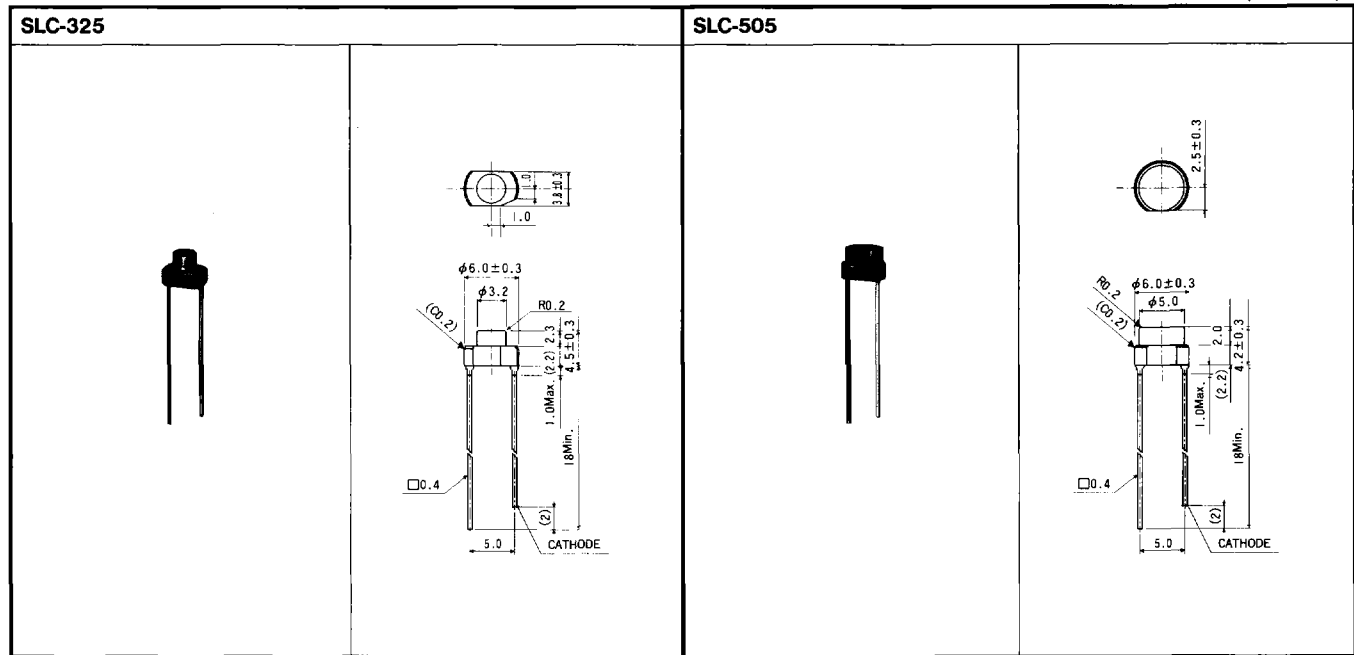
●Cylindrical types (SLC)

Type	Emitter surface size (mm)	Series name	Lens	Emitting color Emitting material λ p (nm)	Red		Amber	Orange	Yellow	Green	Pure Green	Basic ordering unit	Quantity /package	Quantity /bag	Rank
					GaAlAs	GaAsP on GaP	GaAsP on GaP	GaAsP on GaP	GaAsP on GaP	GaP	GaP				
					660	650	635	610	585	563	555				
Cylindrical types	φ3.2	SLC-325	Transparent clear									2,000 /Straight /taping only	2,000	-	○
			Colored clear		VC		DC	YC	MC						
			Colored diffused												
			Milky white												
	φ5.0	SLC-505	Transparent clear									2,000 /Straight /taping only	2,000	-	○
			Colored clear		VC		DC	YC	MC						
			Colored diffused												
			Milky white												

Note : *3 Need a certain lead time for delivery .

○ : Semi-standard products

(Unit : mm)



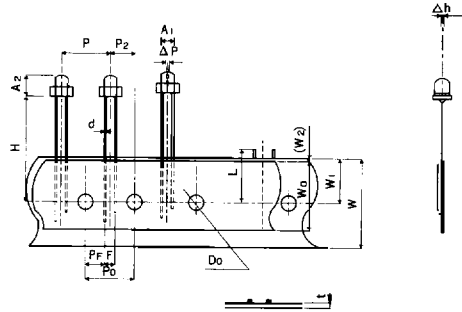
●Taping condition

Applicable types	Quantity/Package (pcs)
SLA-362	2000
SLC-325/505	
SLR-325/332/342/505	

●Taping specifications

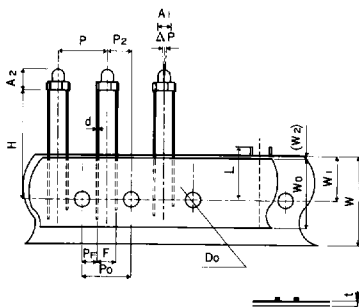
Straight type (Lead pitch : 2.5mm)

φ3 Type

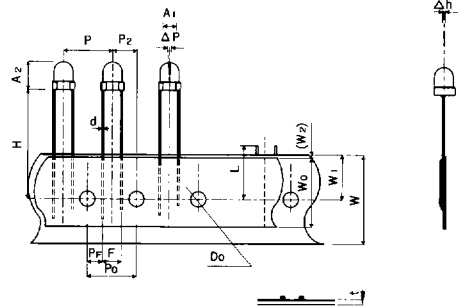


Straight type (Lead pitch : 5mm)

φ3 Type



φ5 Type



(Unit : mm)

Item	Symbol	Straight type (Lead pitch : 2.5mm)		Straight type (Lead pitch : 5.0mm)		Remarks
		φ3 Type	φ3 Type	φ3 Type	φ5 Type	
Luminous emitting surface	A ₁	*	φ3.2±0.2	φ3.2±0.2	φ5.0±0.2	Dimensions vary with type
Body length	A ₂	*	*	*	*	
Inter-unit pitch	P	12.7±1.0	12.7±1.0	12.7±1.0	12.7±1.0	
Feed hole pitch	P ₀	12.7±0.3	12.7±0.3	12.7±0.3	12.7±0.3	
Feed hole position (1)	P ₂	6.35±0.4	6.35±0.4	6.35±0.4	6.35±0.4	
Accumulated feed hole pitch error	P20	1.0Max.	1.0Max.	1.0Max.	1.0Max.	As per 20 holes
Lead diameter	d	□0.4±0.1	□0.4±0.1	□0.4±0.1	□0.4±0.1	Not including burrs
Lead-to-lead distance	F	2.5±0.8	2.5±0.8	5.0±0.8	5.0±0.8	
Unit height	H	*	*	18.0±1.0	18.0±1.0	
Base tape width	W	18.0	18.0	18.0	18.0	
Top film width	W ₀	13.0±0.3	13.0±0.3	13.0±0.3	13.0±0.3	
Feed hole position (2)	W ₁	9.0±0.5	9.0±0.5	9.0±0.5	9.0±0.5	
Top film position	W ₂	0~0.5	0~0.5	0~0.5	0~0.5	
Base tape thickness	t	0.7±0.2	0.7±0.2	0.7±0.2	0.7±0.2	
Unit tilt (1)	Δh	0±1.0	0±1.0	0±1.0	0±1.0	
Unit tilt (2)	ΔP	0±0.5	0±0.5	0±0.5	0±0.5	
Defective unit cutoff position	L	11.0Max.	11.0Max.	11.0Max.	11.0Max.	
Frame position	P _F	5.1±0.8	5.1±0.8	3.85±0.8	3.85±0.8	
Feed hole diameter	D ₀	φ4.0±0.2	φ4.0±0.2	φ4.0±0.2	φ4.0±0.2	

Note : *See dimension of each product

LED Indicator Lamps (SLA)

Ultra-high Luminance LEDs

ROHM ultra-high luminance LED lamps are divided into three types in terms of directivity and have a wide range of applications, e.g. on-vehicle devices (indicator, high mount stop lamp) and outdoor use (signs on road and station and advertisements).

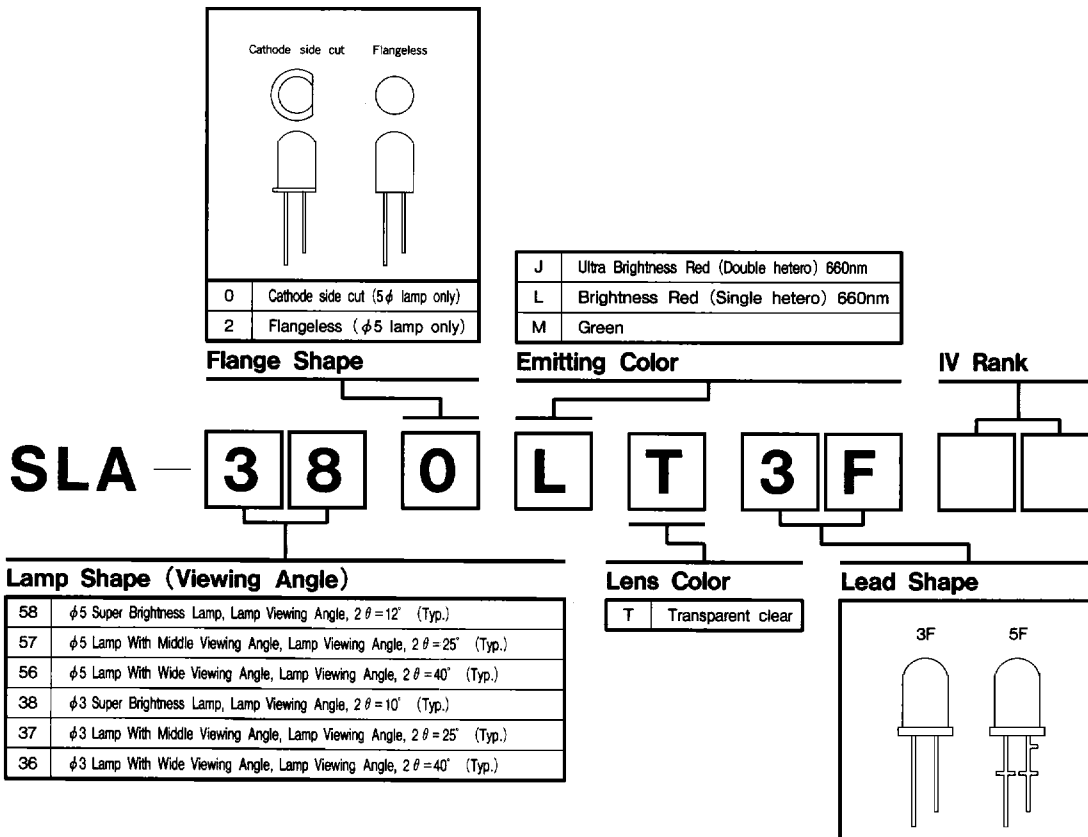
● High luminance reflector types (SLA)

	Emitter surface size (mm)	Lens	Part No.	Emitting color	Emitting material	λ_p (nm)	Basic ordering unit	Quantity/package	Quantity/bag	Rank
Ultra-high luminance	$\phi 3$	Transparent clear	SLA-380LT/JT*3	Red	GaAlAs	660	2,000	2,000	100	○
			SLA-380MT*3	Green	GaP	563				
	$\phi 5$	Transparent clear	SLA-580LT/JT*3	Red	GaAlAs	660	1,000	1,000	100	○
			SLA-580MT*3	Green	GaP	563				
			SLA-582LT/JT*3	Red	GaAlAs	660				
			SLA-582MT*3	Green	GaP	563				
High luminance (Medium directivity)	$\phi 3$	Transparent clear	SLA-370LT/JT*3	Red	GaAlAs	660	2,000	2,000	100	○
			SLA-370MT*3	Green	GaP	563				
	$\phi 5$	Transparent clear	SLA-570LT/JT*3	Red	GaAlAs	660	1,000	1,000	100	○
			SLA-570MT*3	Green	GaP	563				
			SLA-572LT/JT*3	Red	GaAlAs	660				
			SLA-572MT*3	Green	GaP	563				
High luminance (Wide directivity)	$\phi 3$	Transparent clear	SLA-360LT/JT*3	Red	GaAlAs	660	2,000	2,000	100	○
			SLA-360MT*3	Green	GaP	563				
	$\phi 5$	Transparent clear	SLA-560LT/JT*3	Red	GaAlAs	660	1,000	1,000	100	○
			SLA-560MT*3	Green	GaP	563				
			SLA-562LT/JT*3	Red	GaAlAs	660				
			SLA-562MT*3	Green	GaP	563				


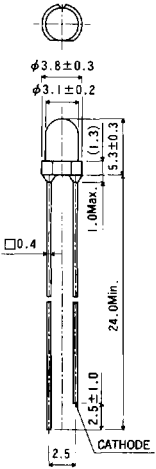

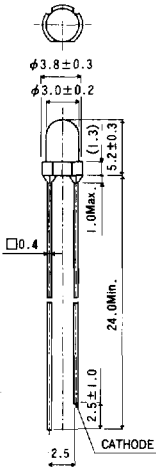

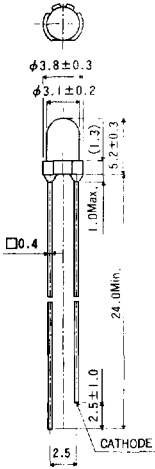

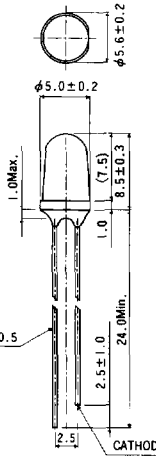

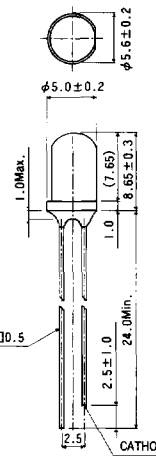

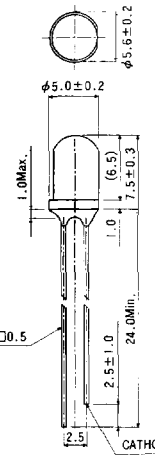
Note : *3 Need a certain lead time for delivery.

○ : Semi-standard products

● Product Designation



(Unit : mm)

<p>SLA-380</p> 	 <p> $\phi 3.8 \pm 0.3$ $\phi 3.1 \pm 0.2$ 1.0Max. 1.3 5.3 ± 0.3 0.4 24.0Min. 2.5 ± 1.0 CATHODE 2.5 </p>	<p>SLA-370</p> 	 <p> $\phi 3.8 \pm 0.3$ $\phi 3.0 \pm 0.2$ 1.0Max. 1.3 5.2 ± 0.3 0.4 24.0Min. 2.5 ± 1.0 CATHODE 2.5 </p>	<p>SLA-360</p> 	 <p> $\phi 3.8 \pm 0.3$ $\phi 3.1 \pm 0.2$ 1.0Max. 1.3 5.2 ± 0.3 0.4 24.0Min. 2.5 ± 1.0 CATHODE 2.5 </p>
<p>SLA-580</p> 	 <p> $\phi 5.6 \pm 0.2$ $\phi 5.0 \pm 0.2$ 1.0Max. 1.0 7.5 8.5 ± 0.3 0.5 24.0Min. 2.5 ± 1.0 CATHODE 2.5 </p>	<p>SLA-570</p> 	 <p> $\phi 5.6 \pm 0.2$ $\phi 5.0 \pm 0.2$ 1.0Max. 1.0 7.65 8.65 ± 0.3 0.5 24.0Min. 2.5 ± 1.0 CATHODE 2.5 </p>	<p>SLA-560</p> 	 <p> $\phi 5.6 \pm 0.2$ $\phi 5.0 \pm 0.2$ 1.0Max. 1.0 6.5 7.5 ± 0.3 0.5 24.0Min. 2.5 ± 1.0 CATHODE 2.5 </p>

LED Indicator Lamps

LED

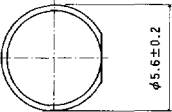
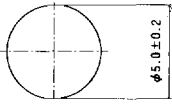
Taping condition

Page 235

Taping Specifications

Page 235

Shape of the flange

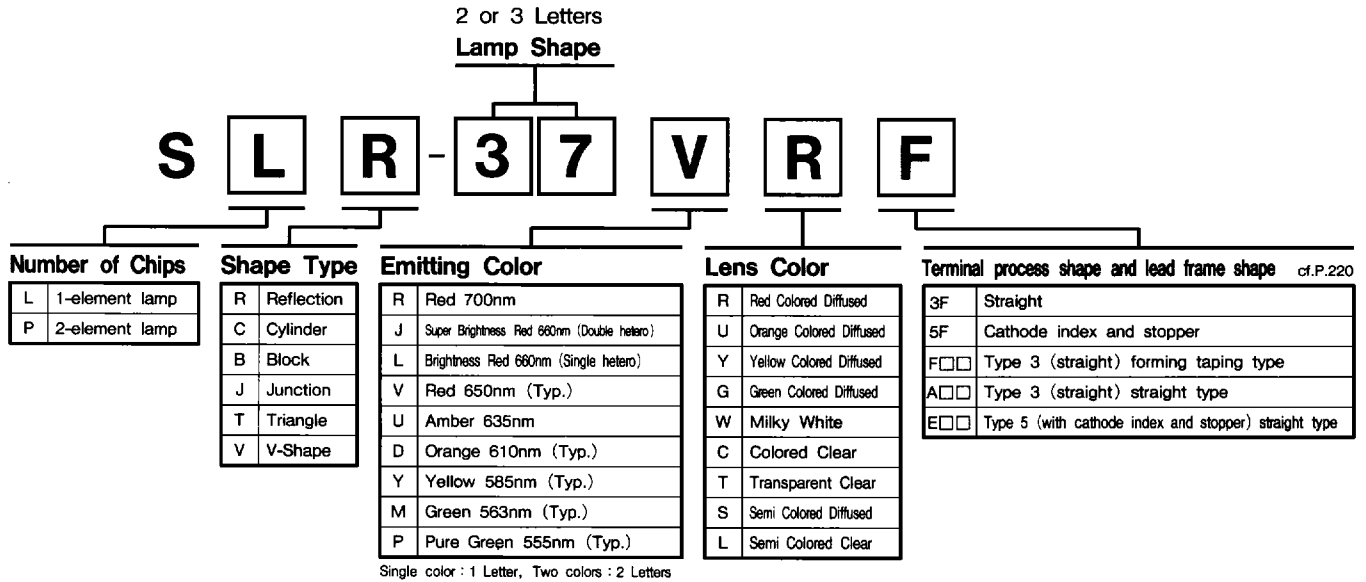
<p>SLA-5□0</p>  <p>$\phi 5.6 \pm 0.2$</p> <p>Flange cut off on the cathode side</p>
<p>SLA-5□2</p>  <p>$\phi 5.0 \pm 0.2$</p> <p>Straight (no flange)</p>

LED Indicator Lamps (SLR)

High luminance LED lamps

A wide range of product types are available including reflective lamps, block types and in various shapes. The applications include pilot, bar display, flat illumination display, backlight, etc.

●Product Designation



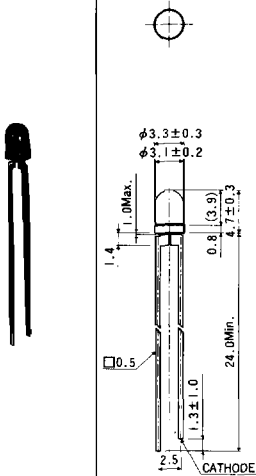
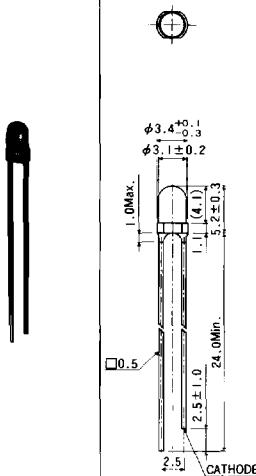
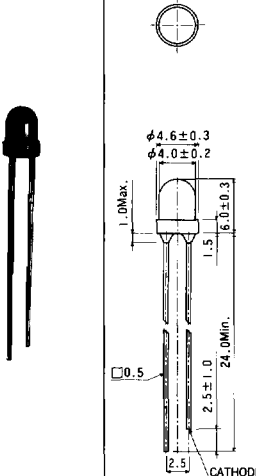
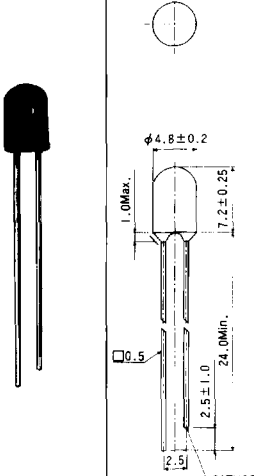
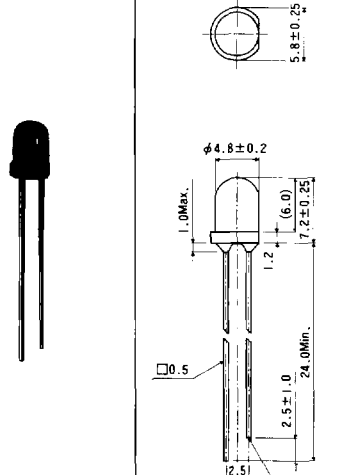
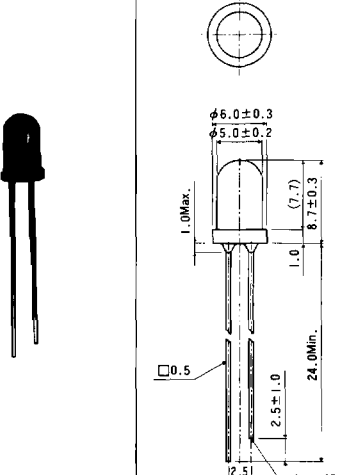
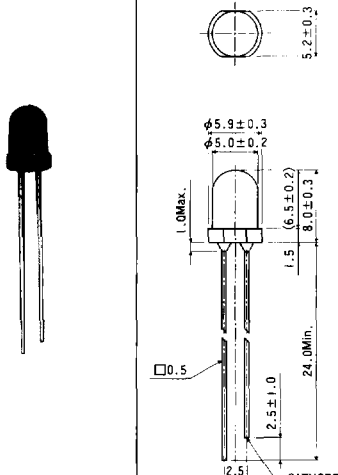
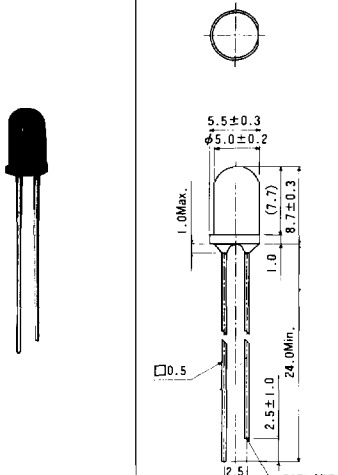
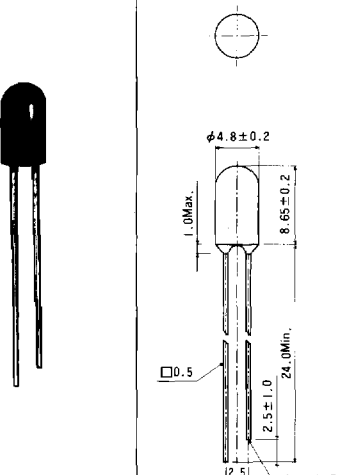
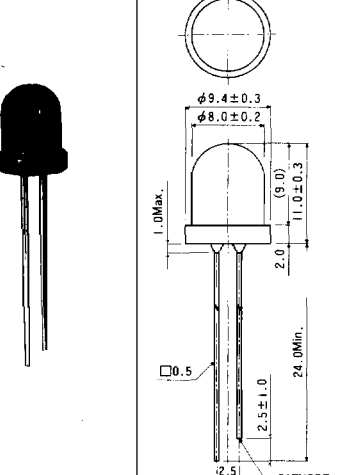
●Reflector types (SLR)

Type	Emitter surface size (mm)	Series name	Lens	Emitting color Emitting material λ p (nm)	Red		Amber	Orange	Yellow	Green	Pure Green	Basic ordering unit	Quantity /package	Quantity /bag	Rank
					GaAlAs 660	GaAsP on GaP 650	GaAsP on GaP 635	GaAsP on GaP 610	GaAsP on GaP 585	GaP 563	GaP 555				
Reflector types	φ3.1	SLR-37	Transparent clear	LT*3	VT	UT	DT*3	YT	MT			2,000	2,000	100	○
			Colored clear		VC	UC	DC	YC	MC						
			Colored diffused		VR	UR	DU	YY	MG	PG					
			Milky white												
	φ3.1	SLR-38	Transparent clear							MT		2,000	2,000	100	○
			Colored clear		VC		DC		MC						
			Colored diffused		VR			YY	MG						
			Milky white												
	φ4.0	SLR-40	Transparent clear								MT	1,000	1,000	100	○
			Colored clear		VC		DC	YC	MC						
			Colored diffused		VR	UR	DU	YY	MG						
			Milky white												
	φ4.8	SLR-47	Transparent clear								MT	1,000	1,000	100	○
			Colored clear		VC				MC						
			Colored diffused		VR		DU	YY	MG						
			Milky white												
φ4.8	SLR-48	Transparent clear									1,000	1,000	100	○	
		Colored clear													
		Colored diffused		VR			YY	MG							
		Milky white													
φ5.0	SLR-54	Transparent clear		VT	UT	DT	YT	MT	PT		1,000	1,000	100	◎	
		Colored clear		VC		DC	YC	MC	PC						
		Colored diffused		VR	UR	DU	YY	MG							
		Milky white		VW	UW	DW	YW	MW							
φ5.0	SLR-55	Transparent clear		VT		DT	YT	MT		PC	1,000	1,000	100	○	
		Colored clear		VC		DC	YC	MC							
		Colored diffused		VR		DU	YY	MG							
		Milky white		VW		DW	YW	MW							
φ5.0	SLR-56	Transparent clear	LT*3	VT	UT			MT			1,000	1,000	100	◎	
		Colored clear		VC		DC	YC	MC	PC						
		Colored diffused		VR	UR	DU	YY	MG	PG						
		Milky white		VW	UW	DW	YW	MW							
φ4.8	SLR-57	Transparent clear							MT		1,000	1,000	100	○	
		Colored clear		VC		DC	YC	MC							
		Colored diffused		VR	UR	DU	YY	MG							
		Milky white		VW				MW							
φ8.0	SLR-80	Transparent clear									500	500	50	○	
		Colored clear													
		Colored diffused		VR*3		DU*3	YY*3	MG*3							
		Milky white													

Note : *3 Need a certain lead time for delivery.

◎ : Standard products ○ : Semi-standard products

(Unit : mm)

SLR-37	SLR-38	SLR-40	SLR-47
 <p> $\phi 3.3 \pm 0.3$ $\phi 3.1 \pm 0.2$ 1.4 1.0Max. 0.8 (3.9) 4.7 ± 0.3 24.0Min. 1.3 ± 1.0 2.5 CATHODE </p>	 <p> $\phi 3.4^{+0.1}_{-0.3}$ $\phi 3.1 \pm 0.2$ 1.0Max. 1.1 (4.1) 5.2 ± 0.3 24.0Min. 2.5 ± 1.0 2.5 CATHODE </p>	 <p> $\phi 4.6 \pm 0.3$ $\phi 4.0 \pm 0.2$ 1.0Max. 1.5 6.0 ± 0.3 24.0Min. 2.5 ± 1.0 2.5 CATHODE </p>	 <p> $\phi 4.8 \pm 0.2$ 1.0Max. 7.2 ± 0.25 24.0Min. 2.5 ± 1.0 2.5 CATHODE </p>
SLR-48		SLR-54	SLR-55
 <p> $\phi 4.8 \pm 0.2$ 1.0Max. 1.2 (6.0) 7.2 ± 0.25 24.0Min. 2.5 ± 1.0 2.5 CATHODE </p>		 <p> $\phi 6.0 \pm 0.3$ $\phi 5.0 \pm 0.2$ 1.0Max. 1.0 (7.7) 8.7 ± 0.3 24.0Min. 2.5 ± 1.0 2.5 CATHODE </p>	 <p> $\phi 5.9 \pm 0.3$ $\phi 5.0 \pm 0.2$ 1.0Max. 1.5 (6.5 ± 0.2) 8.0 ± 0.3 24.0Min. 2.5 ± 1.0 2.5 CATHODE </p>
SLR-56	SLR-57	SLR-80	
 <p> 5.5 ± 0.3 $\phi 5.0 \pm 0.2$ 1.0Max. 1.0 (7.7) 8.7 ± 0.3 24.0Min. 2.5 ± 1.0 2.5 CATHODE </p>	 <p> $\phi 4.8 \pm 0.2$ 1.0Max. 8.65 ± 0.2 24.0Min. 2.5 ± 1.0 2.5 CATHODE </p>	 <p> $\phi 9.4 \pm 0.3$ $\phi 8.0 \pm 0.2$ 1.0Max. 2.0 (9.0) 11.0 ± 0.3 24.0Min. 2.5 ± 1.0 2.5 CATHODE </p>	

LED Indicator Lamps

LED

Taping condition

Page 235

Taping specifications

Page 235

LED Indicator Lamps (SLR · SLV · SLC)

High luminance LED lamps

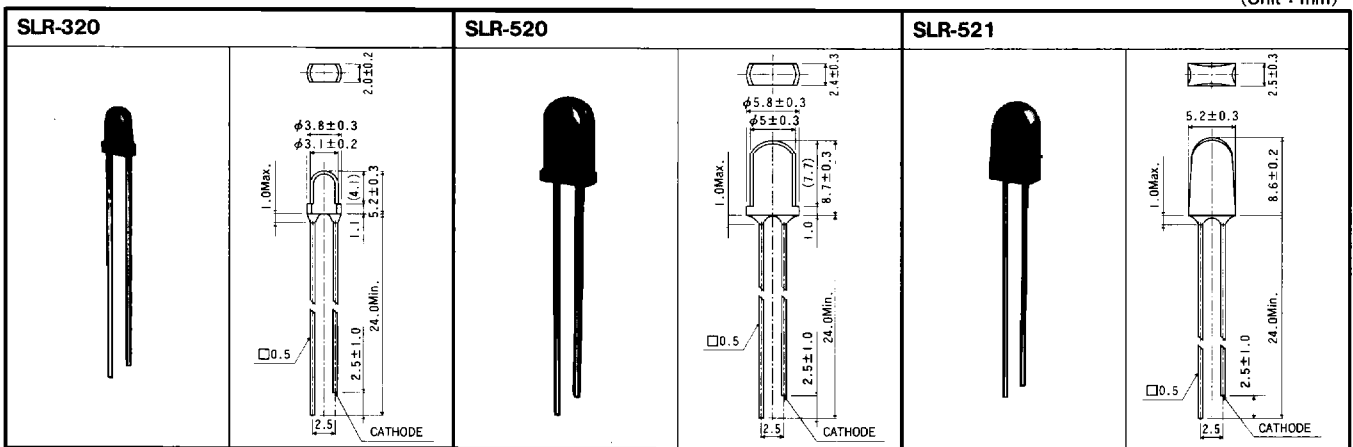
● Flat disc types (SLR)

Type	Emitter surface size (mm)	Series name	Lens	Emitting color Emitting material λ p (nm)	Red		Amber	Orange	Yellow	Green	Pure Green	Basic ordering unit	Quantity /package	Quantity /bag	Rank
					GaAlAs	GaAsP on GaP	GaAsP on GaP	GaAsP on GaP	GaAsP on GaP	GaP	GaP				
					660	650	635	610	585	563	555				
Flat disc types	φ3.1	SLR-320	Transparent clear	LT*3	VT		DT	YT	MT	PT		2,000	2,000	100	○
			Colored clear		VC		DC	YC	MC	PC					
			Colored diffused		VR	UR	DU	YY	MG	PG					
			Milky white												
	φ5.0	SLR-520	Transparent clear		VT*3		DT*3	YT*3	MT*3			1,000	1,000	100	○
			Colored clear		VC		DC	YC	MC						
			Colored diffused		VR				MG						
			Milky white												
	φ5.0	SLR-521	Transparent clear									1,000	1,000	100	○
			Colored clear												
			Colored diffused	LS*3					MS						
			Milky white												

Note : *3 Need a certain lead time for delivery.

○ : Semi-standard products

(Unit : mm)



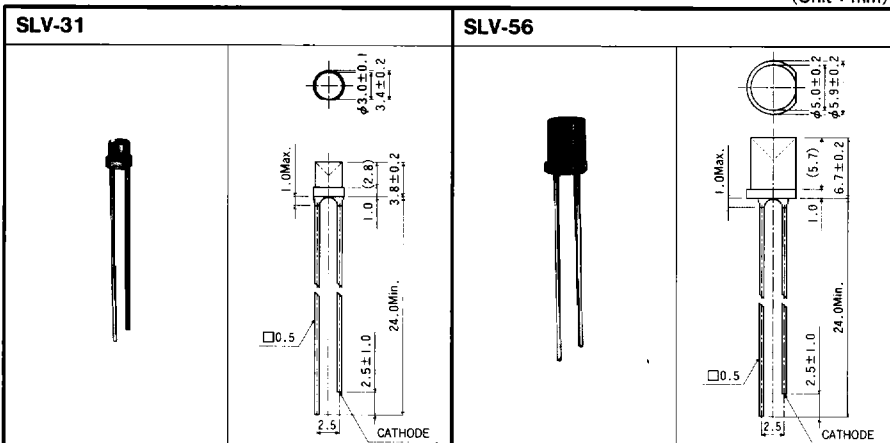
● Inverted cone types (SLV)

Type	Emitter surface size (mm)	Series name	Lens	Emitting color Emitting material λ p (nm)	Red		Amber	Orange	Yellow	Green	Pure Green	Basic ordering unit	Quantity /package	Quantity /bag	Rank
					GaAlAs	GaAsP on GaP	GaAsP on GaP	GaAsP on GaP	GaAsP on GaP	GaP	GaP				
					660	650	635	610	585	563	555				
Inverted cone types	φ3.0	SLV-31	Transparent clear	LT*3	VT		DT	YT	MT			2,000	2,000	100	○
			Colored clear		VC		DC	YC	MC	PC					
			Colored diffused												
			Milky white												
	φ5.0	SLV-56	Transparent clear	LT*3	VT		DT	YT	MT			1,000	1,000	100	○
			Colored clear		VC		DC	YC	MC	PC					
			Colored diffused												
			Milky white												

Note : *3 Need a certain lead time for delivery.

○ : Semi-standard products

(Unit : mm)



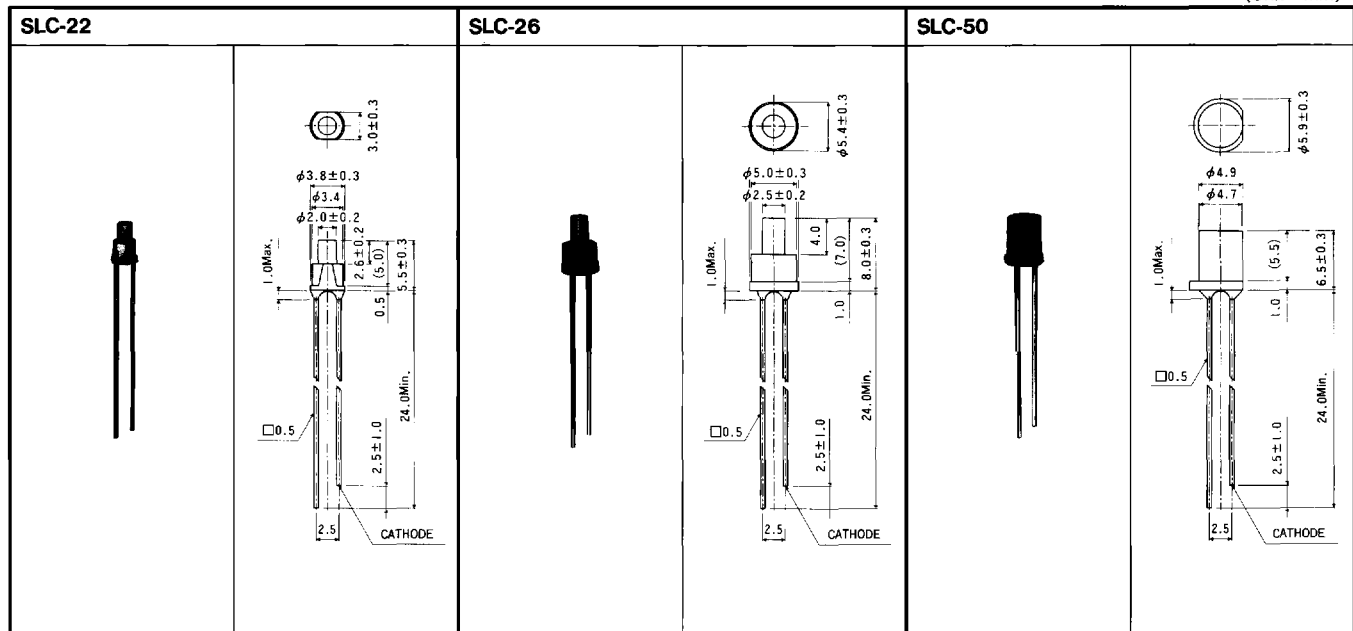
●Cylindrical types (SLC)

Type	Emitter surface size (mm)	Series name	Lens	Emitting color Emitting material λ p (nm)	Red		Amber	Orange	Yellow	Green	Pure Green	Basic ordering unit	Quantity /package	Quantity /bag	Rank
					GaAlAs	GaAsP on GaP	GaAsP on GaP	GaAsP on GaP	GaAsP on GaP	GaP	GaP				
Cylindrical types	φ 2.0	SLC-22	Transparent clear									2,000	2,000	100	○
			Colored clear												
			Colored diffused		VR	UR	DU	YY	MG						
			Milky white		VW		DW	YW	MW						
	φ 2.5	SLC-26	Transparent clear									1,000	1,000	100	○
			Colored clear												
			Colored diffused		VR	UR	DU	YY	MG						
			Milky white		VW	UW	DW	YW	MW						
	φ 4.7	SLC-50	Transparent clear	LT*3								1,000	1,000	100	○
			Colored clear												
			Colored diffused												
			Milky white	LW*3	VW		DW	YW	MW						

Note : *3 Need a certain lead time for delivery.

○ : Semi-standard products

(Unit : mm)



LED Indicator Lamps

LED

Product Designation

Page 226

Taping condition

Page 235

Taping specifications

Page 235

LED Indicator Lamps (SLB)

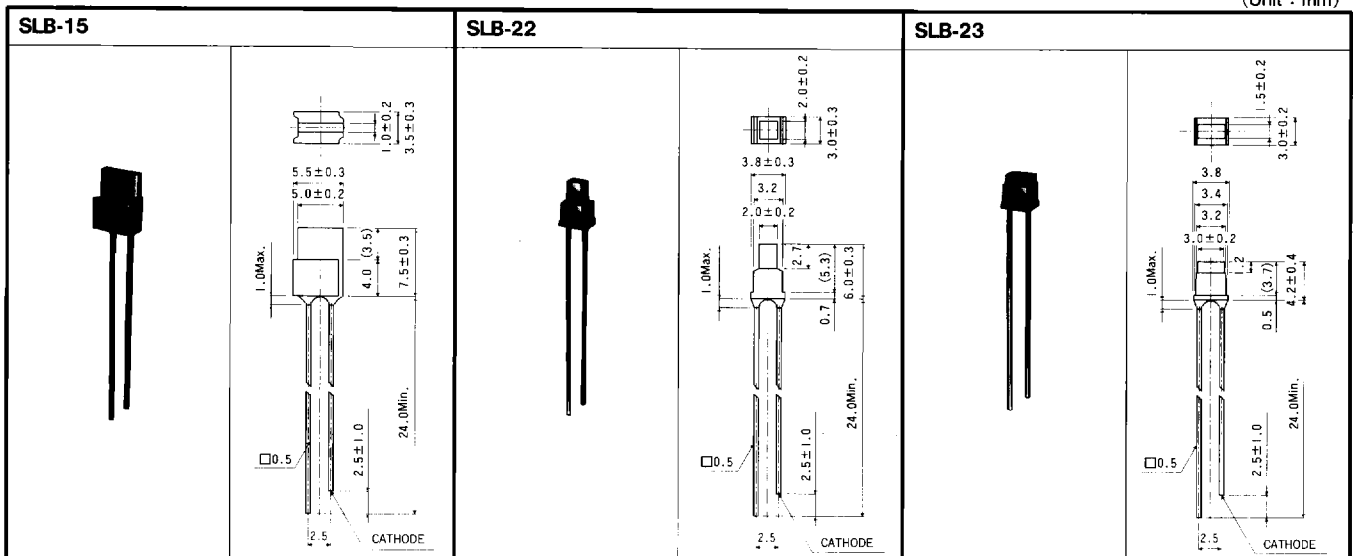
High luminance LED lamps

●Rectangular types (SLB)


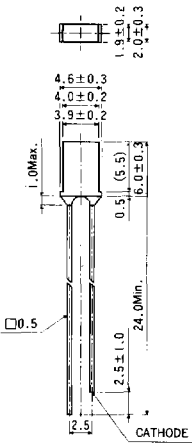

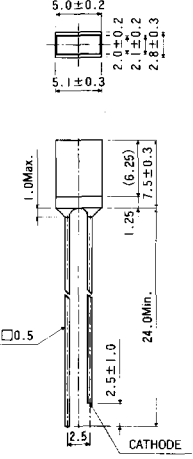

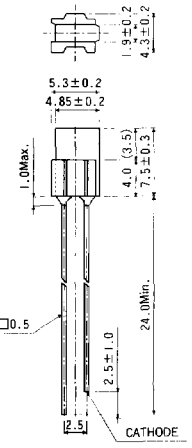

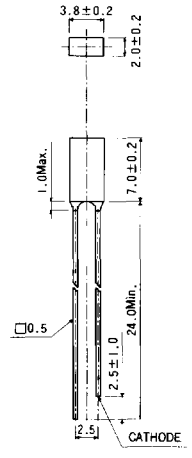

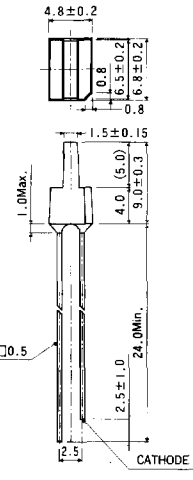
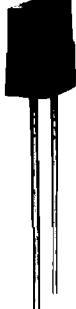
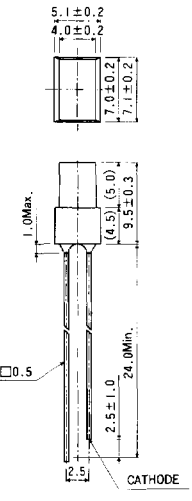

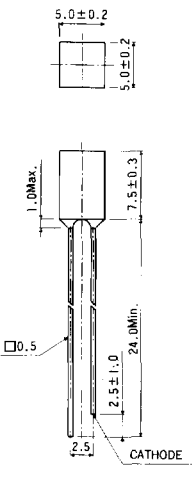
Type	Emitter surface size (mm)	Series name	Emitting color		Red		Amber	Orange	Yellow	Green	Pure Green	Basic ordering unit	Quantity /package	Quantity /bag	Rank
			Lens	Emitting material	GaAlAs	GaAsP on GaP	GaAsP on GaP	GaAsP on GaP	GaAsP on GaP	GaP	GaP				
			λp (nm)	660	650	635	610	585	563	555					
Rectangular types	1×5	SLB-15	Transparent clear									1,000	1,000	100	○
			Colored clear												
			Colored diffused		VR	UR	DU	YY	MG	PG					
			Milky white		VW		DW	YW	MW						
	2×2	SLB-22	Transparent clear									2,000	2,000	100	○
			Colored clear												
			Colored diffused		VR	UR	DU	YY	MG						
			Milky white							PW					
	1.5×3	SLB-23	Transparent clear									2,000	2,000	100	○
			Colored clear												
			Colored diffused		VR	UR	DU	YY	MG						
			Milky white												
	1.9×4	SLB-24	Transparent clear									2,000	2,000	100	◎
			Colored clear												
			Colored diffused		VR		DU	YY	MG						
			Milky white												
	2×5	SLB-25	Transparent clear									1,000	1,000	100	◎
			Colored clear												
			Colored diffused		VR/VRD	UR	DU	YY/YYD	MG	PGD					
			Milky white												
	1.9×4.85	SLB-26	Transparent clear									1,000	1,000	100	○
			Colored clear												
			Colored diffused		VR	UR	DU	YY	MG						
			Milky white		VW	UW	DW	YW	MW						
	2×3.8	SLB-27	Transparent clear									1,000	1,000	100	○
			Colored clear												
			Colored diffused		VR		DU	YY	MG						
			Milky white												
	1.5×6.5	SLB-72	Transparent clear									1,000	1,000	100	○
			Colored clear												
			Colored diffused		VRD	URD	DUD	YYD	MGD						
			Milky white												
	4×7	SLB-74	Transparent clear									1,000	500	100	○
			Colored clear												
			Colored diffused		VRD	URD		YYD	MGD						
			Milky white												
5×5	SLB-55	Transparent clear									1,000	1,000	100	◎	
		Colored clear													
		Colored diffused		VR	UR	DU	YY	MG							
		Milky white													

◎ : Standard products ○ : Semi-standard products

(Unit : mm)



(Unit : mm)

<p>SLB-24</p> 	 <p>4.6±0.3 4.0±0.2 3.9±0.2 1.9±0.2 2.0±0.3 1.0Max. 0.5 24.0Min. 2.5±1.0 2.5 CATHODE</p>	<p>SLB-25</p> 	 <p>5.0±0.2 2.0±0.2 2.1±0.2 2.8±0.3 5.1±0.3 1.0Max. 1.25 7.5±0.3 0.5 24.0Min. 2.5±1.0 2.5 CATHODE</p>	<p>SLB-26</p> 	 <p>5.3±0.2 4.85±0.2 1.9±0.2 4.3±0.2 1.0Max. 0.5 24.0Min. 2.5±1.0 2.5 CATHODE</p>
<p>SLB-27</p> 	 <p>3.8±0.2 2.0±0.2 1.0Max. 7.0±0.2 0.5 24.0Min. 2.5±1.0 2.5 CATHODE</p>	<p>SLB-72</p> 	 <p>4.8±0.2 1.08 6.5±0.2 0.8 1.5±0.15 1.0Max. 4.0 (5.0) 9.0±0.3 0.5 24.0Min. 2.5±1.0 2.5 CATHODE</p>	<p>SLB-74</p> 	 <p>5.1±0.2 4.0±0.2 7.0±0.2 7.1±0.2 1.0Max. 0.5 24.0Min. 2.5±1.0 2.5 CATHODE</p>
<p>SLB-55</p> 	 <p>5.0±0.2 5.0±0.2 1.0Max. 7.5±0.3 0.5 24.0Min. 2.5±1.0 2.5 CATHODE</p>				

LED Indicator Lamps

LED

Product Designation
Page 226
Taping condition

Page 235
Taping specifications
Page 235

LED Indicator Lamps (SLT · SLJ · SPR · SPB)

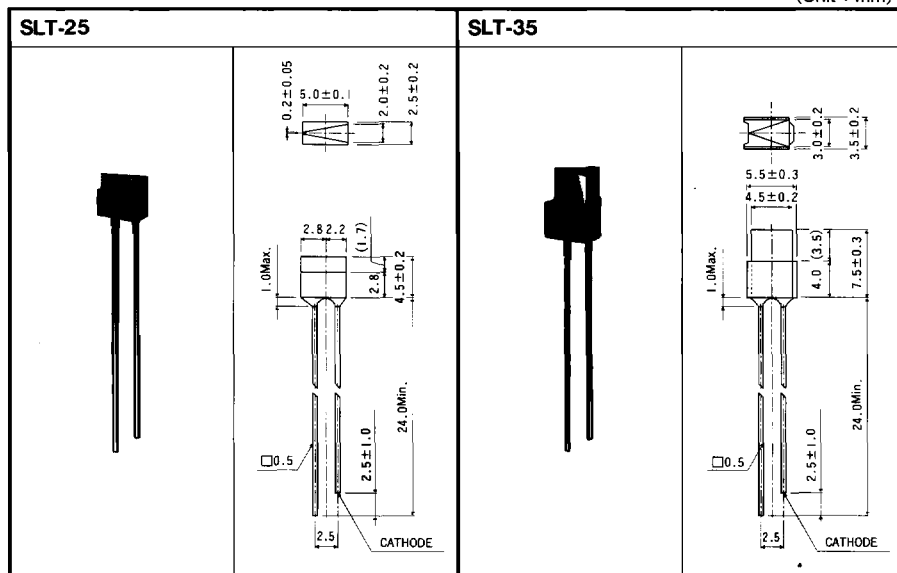
High luminance LED lamps

● Triangular types (SLT)

Type	Emitter surface size (mm)	Series name	Lens	Emitting color Emitting material λ p (nm)	Red		Amber	Orange	Yellow	Green	Pure Green	Basic ordering unit	Quantity /package	Quantity /bag	Rank
					GaAlAs	GaAsP on GaP	GaAsP on GaP	GaAsP on GaP	GaAsP on GaP	GaP	GaP				
Triangular types	2×5	SLT-25	Transparent clear		660	650						1,000	1,000	100	○
			Colored clear												
			Colored diffused		VR		DU	YY	MG						
			Milky white												
	3×4.5	SLT-35	Transparent clear									1,000	1,000	100	○
			Colored clear												
			Colored diffused		VR	UR	DU	YY	MG						
			Milky white		VW		DW	YW	MW						

○ : Semi-standard products

(Unit : mm)



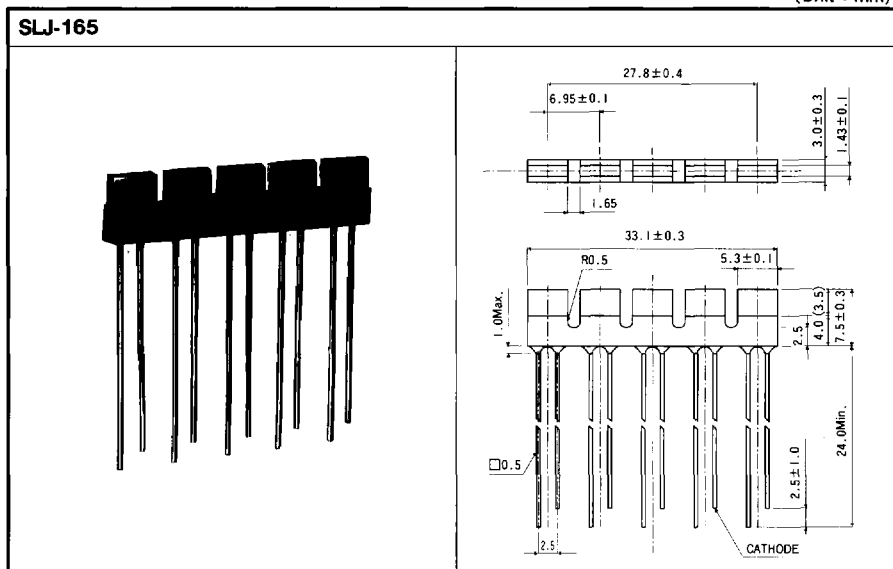
● Multiple type (SLJ)

Type	Emitter surface size (mm)	Series name	Lens	Emitting color Emitting material λ p (nm)	Red		Amber	Orange	Yellow	Green	Pure Green	Basic ordering unit	Quantity /package	Quantity /bag	Rank
					GaAlAs	GaAsP on GaP	GaAsP on GaP	GaAsP on GaP	GaAsP on GaP	GaP	GaP				
Multiple type	1.4×5.3×5	SLJ-165	Transparent clear		660	650						1,000	200	20	○
			Colored clear												
			Colored diffused		VRD*3	URD*3	DUD*3	YYD*3	MGD*3						
			Milky white												

Note : *3 Need a certain lead time for delivery.

○ : Semi-standard products

(Unit : mm)


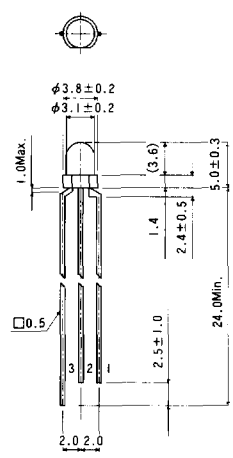

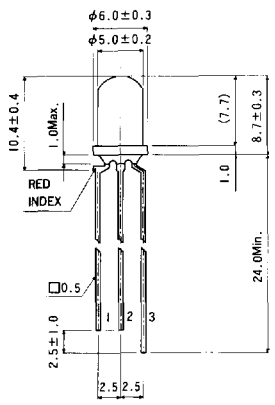

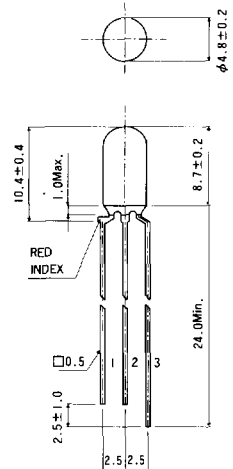

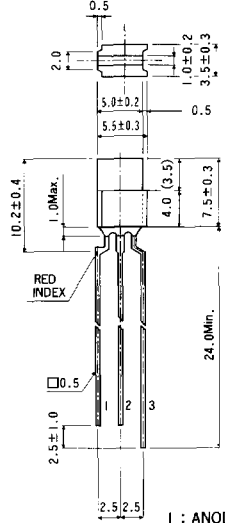


●Two-chip LEDs (SPR · SPB)

Type	Emitter surface size (mm)	Lens	Part No.	Emitting color	Emitting material	λ_p (nm)	Basic ordering unit	Quantity /package	Quantity /bag	Rank
Two-chip light emission	$\phi 3.1$	Milky white	SPR-39MVW	Red	GaAsP on GaP	650	1,000	1,000	100	○
				Green	GaP	563				
	$\phi 5$	Milky white	SPR-54MVW	Red	GaAsP on GaP	650	1,000	1,000	100	○
				Green	GaP	563				
	$\phi 4.8$	Milky white	SPR-57MVW	Red	GaAsP on GaP	650	1,000	1,000	100	○
				Green	GaP	563				
	1×5	Milky white	SPB-15MVW	Red	GaAsP on GaP	650	1,000	1,000	100	○
				Green	GaP	563				
	2×5	Milky white	SPB-25MVW	Red	GaAsP on GaP	650	1,000	1,000	100	○
				Green	GaP	563				
	1.9×4.9	Milky white	SPB-26MVW	Red	GaAsP on GaP	650	1,000	1,000	100	○
				Green	GaP	563				
2×2	Milky white	SPB-221MVW/PVW	Red	GaAsP on GaP	650	1,000	1,000	100	○	
			Green / Pure Green	GaP	563 / 555					

○ : Semi-standard products

(Unit : mm)

<p>SPR-39MVW</p>   <p>1 : ANODE RED 2 : CATHODE 3 : ANODE GREEN</p>	<p>SPR-54MVW</p>   <p>1 : ANODE RED 2 : CATHODE 3 : ANODE GREEN</p>
<p>SPR-57MVW</p>   <p>1 : ANODE RED 2 : CATHODE 3 : ANODE GREEN</p>	<p>SPB-15MVW</p>   <p>1 : ANODE RED 2 : CATHODE 3 : ANODE GREEN</p>

LED Indicator Lamps

LED

Product Designation

Page 226

Taping Condition

Page 235

Taping specifications


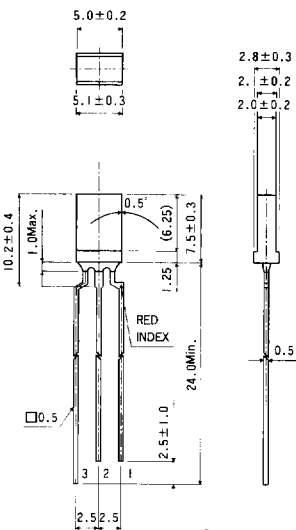

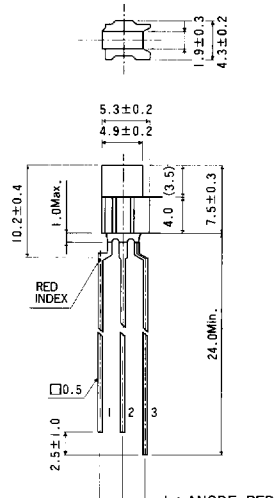
Page 235

LED Indicator Lamps (SPB)

High luminance LED lamps

● Two-chip LEDs (SPB)

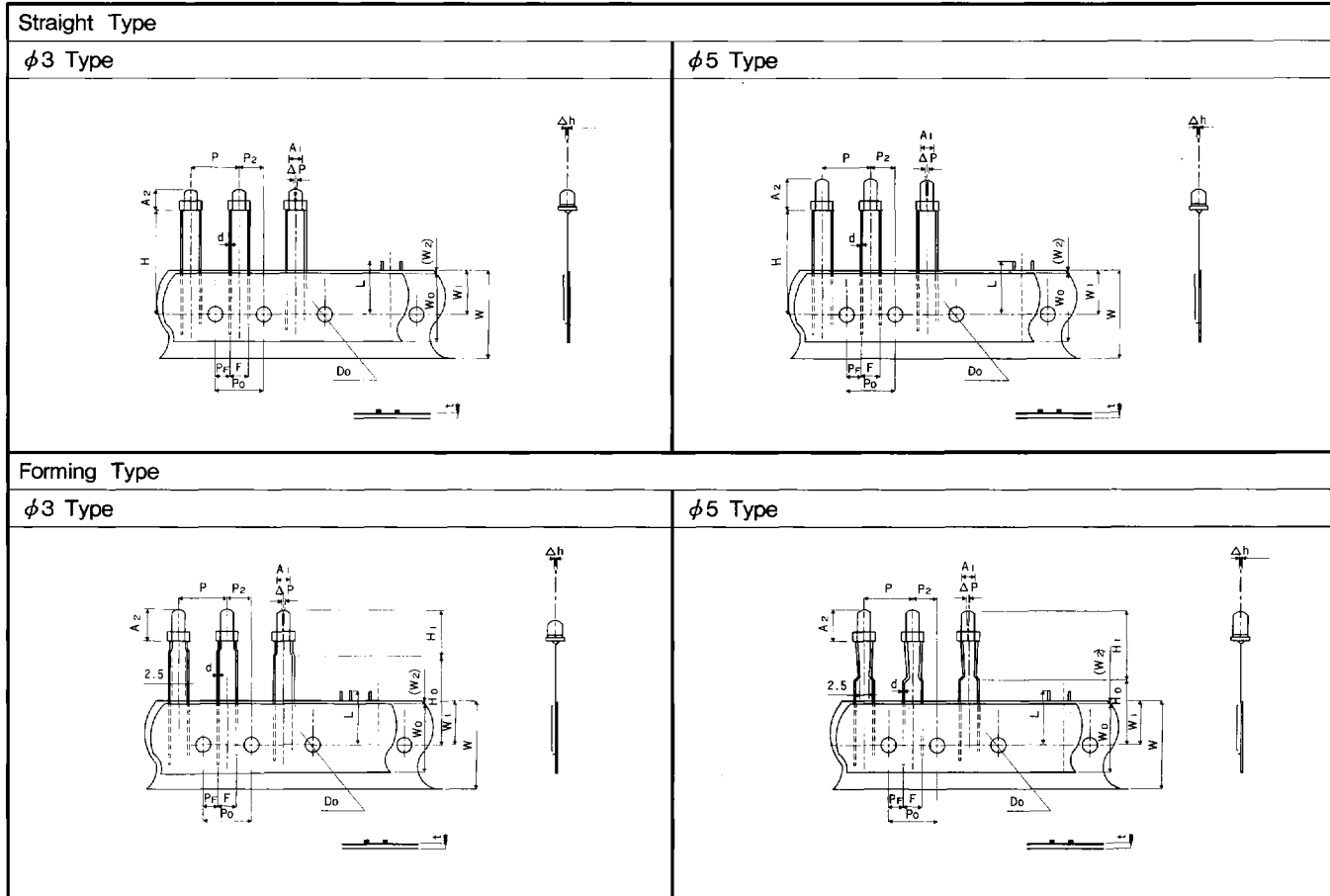
(Unit : mm)

SPB-25MVW	SPB-26MVW
	 <p>1 : ANODE RED 2 : CATHODE 3 : ANODE GREEN</p>
SPB-221MVW SPB-221PVW	
	 <p>1 : ANODE RED 2 : CATHODE 3 : ANODE GREEN</p>

●Taping condition

Applicable types	Quantity / Package (pcs)
SLA-580	2,000
SLB-25/55	
SLR-320/37/40/54/55/56	

●Taping specifications



(Unit : mm)

Item	Symbol	Straight Lead		Formed lead		Remarks
		φ3 Type	φ5 Type	φ3 Type	φ5 Type	
Luminous emitting surface	A ₁	φ3.1±0.2	φ5.0±0.2	φ3.1±0.2	φ5.0±0.2	Dimensions vary with type
Body length	A ₂	5.2±0.3	8.7±0.3	5.2±0.3	8.7±0.3	
Inter-unit pitch	P	12.7±1.0		12.7±1.0		
Feed hole pitch	P ₀	12.7±0.3		12.7±0.3		
Feed hole position (1)	P ₂	6.35±0.4		6.35±0.4		
Accumulated feed hole pitch error	P ₂₀	1.0Max.		1.0Max.		As per 20 holes
Lead diameter	d	□0.5±0.1		□0.5±0.1		Not including burrs
Lead-to-lead distance	F	2.5±0.8		5.0±0.8		
Lead clinch height	H ₀	—		16.0±0.5		
Clinch angle	θ	—		0±15°		
Unit height	H/H ₁	※		※		
Base tape width	W	18.0		18.0		
Top film width	W ₀	13.0±0.3		13.0±0.3		
Feed hole position (2)	W ₁	9.0±0.5		9.0±0.5		
Top film position	W ₂	0~0.5		0~0.5		
Base tape thickness	t	0.7±0.2		0.7±0.2		
Unit tilt (1)	Δh	0±1.0		0±1.0		
Unit tilt (2)	ΔP	0±0.5		0±0.5		
Defective unit cutoff position	L	11.0Max.		11.0Max.		
Frame position	P _F	5.1±0.8		3.85±0.8		
Feed hole diameter	D ₀	φ4.0±0.2		φ4.0±0.2		

Note : ※See dimension of each product