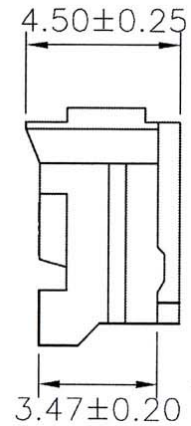
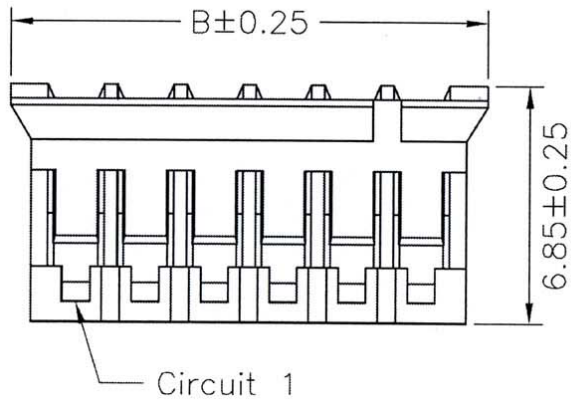
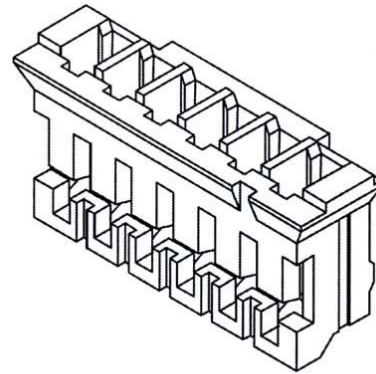
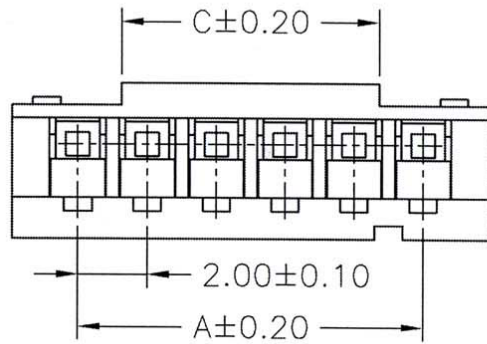


SPECIFICATIONS

Current Rating: 2A AC,DC
 Voltage Rating: 100V AC,DC
 Contact Resistance: 10mΩ Max.
 Housing Material: Nylon 66, UL94V-0, White
 Insulation Resistance: 1000MΩ Min.
 Withstanding: 800V AC/minute
 Temperature Range: -25C ~ +85C

Dimensions			
Pos.	A	B	C
02	2.00	5.80	0.50
03	4.00	7.80	1.68
04	6.00	9.80	3.50
05	8.00	11.80	5.50
06	10.00	13.80	7.50
07	12.00	15.80	9.50
08	14.00	17.80	11.50
09	16.00	19.80	13.50
10	18.00	21.80	15.50
11	20.00	23.80	17.50
12	22.00	25.80	19.50
13	24.00	27.80	21.50
14	26.00	29.80	23.50
15	28.00	31.80	25.50
16	30.00	33.80	27.50
17	32.00	35.80	29.50
18	34.00	37.80	31.50



RoHS compliant

Rev.	Description	Date	Approved	Drawing	Name	Date
				Approved	Howard	07/21/06
				Checked	Lizzy	07/21/06
				Drawn	Tina	07/21/06
				0.0 ± 0.35	0.00 ± 0.20	Angles ± 3'
				UNIT: mm		

Central Components Manufacturing
 440 Lincoln Blvd., Middlesex, New Jersey 08846
 Phone 732 469-5720 888 288-5152 Fax 732 469-1919

Part No.: **JS-J-2001H-XX**

Description: 2.00mm Pitch Housing