

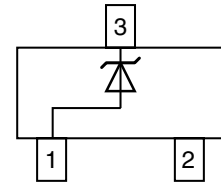
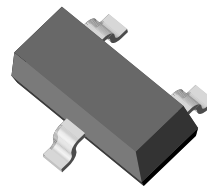
## Small Signal Zener Diodes

### Features

- Silicon planar power zener diodes.
- Standard Zener voltage tolerance is  $\pm 5\%$  with a "B" suffix (e.g.: MMBZ5225B-V), suffix "C" is  $\pm 2\%$  tolerance.
- High temperature soldering guaranteed: 260 °C/ 4x 10 s at terminals.
- These diodes are also available in MiniMELF case with the type designation ZMM5225...ZMM5267, SOD-123 case with the type designation MMSZ5225-V... MMSZ5267-V.
- Compliant to RoHS directive 2002/95/EC and in accordance to WEEE 2002/96/EC



**RoHS**  
COMPLIANT



18078

### Mechanical Data

**Case:** SOT-23

**Weight:** approx. 8.8 mg

#### Packaging codes/options:

GS18/10 k per 13" reel (8 mm tape), 10 k/box

GS08/3 k per 7" reel (8 mm tape), 15 k/box

### Absolute Maximum Ratings

$T_{amb} = 25\text{ °C}$ , unless otherwise specified

Parameter	Test condition	Symbol	Value	Unit
Zener current (see table "Characteristics")				
Power dissipation	$T_A = 25\text{ °C}$	$P_{tot}$	225 <sup>1)</sup>	mW
		$P_{tot}$	300 <sup>2)</sup>	mW

#### Notes

<sup>1)</sup> On FR - 5 board using recommended solder pad layout

<sup>2)</sup> On alumina substrate

### Thermal Characteristics

$T_{amb} = 25\text{ °C}$ , unless otherwise specified

Parameter	Test condition	Symbol	Value	Unit
Thermal resistance junction to ambient air		$R_{thJA}$	556 <sup>1)</sup>	°C/W
Maximum junction temperature		$T_j$	150	°C
Storage temperature range		$T_S$	- 65 to + 175	°C

#### Note

<sup>1)</sup> On FR - 5 board using recommended solder pad layout

# MMBZ5225-V to MMBZ5267-V



Vishay Semiconductors

## Electrical Characteristics ( $T_{amb} = 25^\circ$ unless otherwise noted)

Maximum  $V_F = 0.9$  V at  $I_F = 10$  mA

Part number	Marking code	Nominal zener voltage	Test current	Maximum dynamic impedance <sup>1)</sup>		Typical temp. of coefficient	Maximum reverse leakage current	
		$V_Z$ at $I_{ZT1}$	$I_{ZT1}$	$Z_{ZT}$ at $I_{ZT}$	$Z_{ZK}$ at $I_{ZK} = 0.25$ mA	$\alpha_{VZ}$	$I_R$	$V_R$
		V	mA	$\Omega$	$\Omega$	%/ $^\circ$ C	$\mu$ A	V
MMBZ5225-V	18E	3	20	30	1600	-0.075	50	1
MMBZ5226-V	8A	3.3	20	28	1600	-0.07	25	1
MMBZ5227-V	8B	3.6	20	24	1700	-0.065	15	1
MMBZ5228-V	8C	3.9	20	23	1900	-0.06	10	1
MMBZ5229-V	8D	4.3	20	22	2000	-0.055	5	1
MMBZ5230-V	8E	4.7	20	19	1900	$\pm 0.030$	5	2
MMBZ5231-V	8F	5.1	20	17	1600	$\pm 0.030$	5	2
MMBZ5232-V	8G	5.6	20	11	1600	0.038	5	3
MMBZ5233-V	8H	6	20	7	1600	0.038	5	3.5
MMBZ5234-V	8J	6.2	20	7	1000	0.045	5	4
MMBZ5235-V	8K	6.8	20	5	750	0.05	3	5
MMBZ5236-V	8L	7.5	20	6	500	0.058	3	6
MMBZ5237-V	8M	8.2	20	8	500	0.062	3	6.5
MMBZ5238-V	8N	8.7	20	8	600	0.065	3	6.5
MMBZ5239-V	8P	9.1	20	10	600	0.068	3	7
MMBZ5240-V	8Q	10	20	17	600	0.075	3	8
MMBZ5241-V	8R	11	20	22	600	0.076	2	8.4
MMBZ5242-V	8S	12	20	30	600	0.077	1	9.1
MMBZ5243-V	8T	13	9.5	13	600	0.079	0.5	9.9
MMBZ5244-V	8U	14	9	15	600	0.082	0.1	10
MMBZ5245-V	8V	15	8.5	16	600	0.082	0.1	11
MMBZ5246-V	8W	16	7.8	17	600	0.083	0.1	12
MMBZ5247-V	8X	17	7.4	19	600	0.084	0.1	13
MMBZ5248-V	8Y	18	7	21	600	0.085	0.1	14
MMBZ5249-V	8Z	19	6.6	23	600	0.086	0.1	14
MMBZ5250-V	81A	20	6.2	25	600	0.086	0.1	15
MMBZ5251-V	81B	22	5.6	29	600	0.087	0.1	17
MMBZ5252-V	81C	24	5.2	33	600	0.087	0.1	18
MMBZ5253-V	81D	25	5	35	600	0.089	0.1	19
MMBZ5254-V	81E	27	4.6	41	600	0.090	0.1	21
MMBZ5255-V	81F	28	4.5	44	600	0.091	0.1	21
MMBZ5256-V	81G	30	4.2	49	600	0.091	0.1	23
MMBZ5257-V	81H	33	3.8	58	700	0.092	0.1	25
MMBZ5258-V	81J	36	3.4	70	700	0.093	0.1	27
MMBZ5259-V	81K	39	3.2	80	800	0.094	0.1	30
MMBZ5260-V	18F	43	3	93	900	0.095	0.1	33
MMBZ5261-V	81M	47	2.7	105	1000	0.095	0.1	36
MMBZ5262-V	81N	51	2.5	125	1100	0.096	0.1	39
MMBZ5263-V	81P	56	2.2	150	1300	0.096	0.1	43
MMBZ5264-V	81Q	60	2.1	170	1400	0.097	0.1	46
MMBZ5265-V	81R	62	2	185	1400	0.097	0.1	47
MMBZ5266-V	81S	68	1.8	230	1600	0.097	0.1	52
MMBZ5267-V	81T	75	1.7	270	1700	0.098	0.1	56

<sup>1)</sup>The Zener Impedance is derived from the 1 kHz AC voltage which results when an AC current having an RMS value equal to 10 % of the Zener current ( $I_{ZT}$  or  $I_{ZK}$ ) is superimposed on  $I_{ZT}$  or  $I_{ZK}$ . Zener Impedance is measured at two points to insure a sharp knee on the breakdown curve and to eliminate unstable units.

<sup>3)</sup> Measured at thermal equilibrium.

## Typical Characteristics ( $T_{amb} = 25\text{ }^{\circ}\text{C}$ , unless otherwise specified)

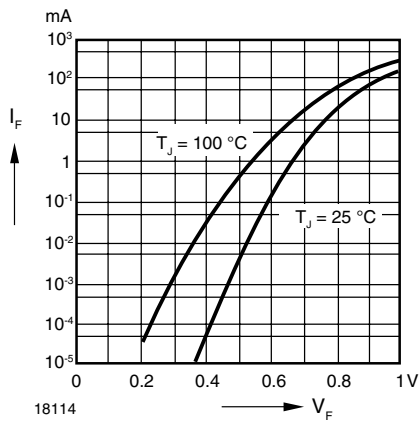


Figure 1. Forward characteristics

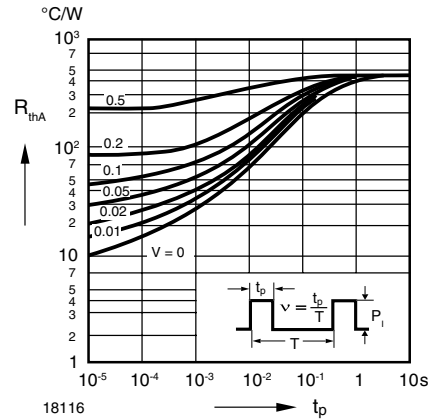


Figure 4. Pulse Thermal Resistance vs. Pulse Duration

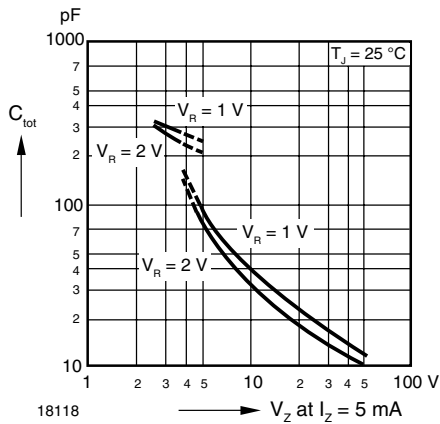


Figure 2. Capacitance vs. Zener Voltage

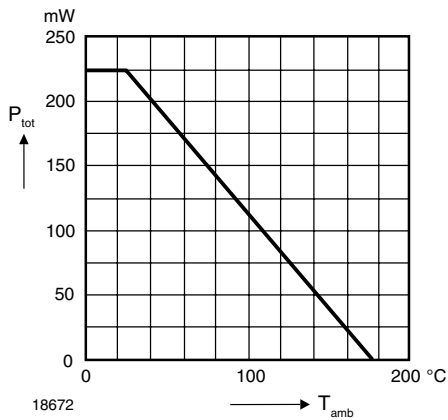


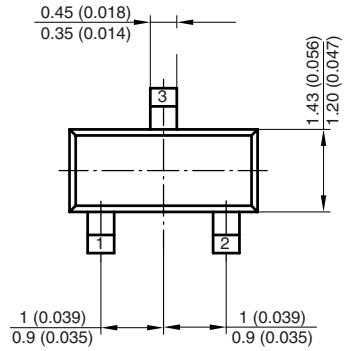
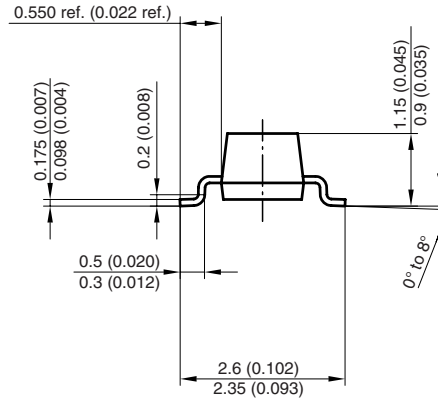
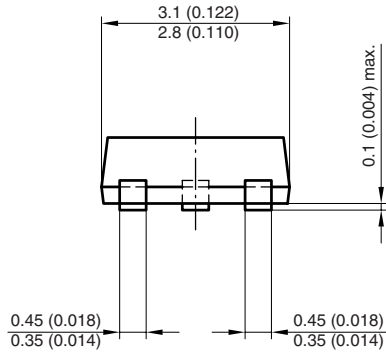
Figure 3. Admissible Power Dissipation vs. Ambient Temperature

# MMBZ5225-V to MMBZ5267-V

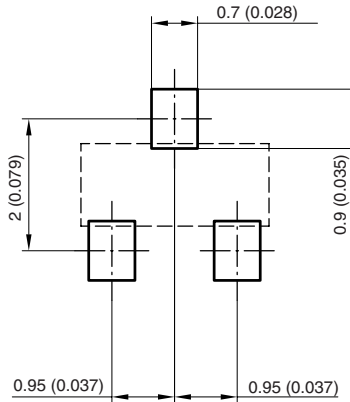


Vishay Semiconductors

## Package Dimensions in millimeters (inches): SOT-23



Mounting pad layout



Document no.: 6.541-5014.01-4  
Rev. 8 - Date: 23. Sep. 2009  
17418



## Disclaimer

All product specifications and data are subject to change without notice.

Vishay Intertechnology, Inc., its affiliates, agents, and employees, and all persons acting on its or their behalf (collectively, "Vishay"), disclaim any and all liability for any errors, inaccuracies or incompleteness contained herein or in any other disclosure relating to any product.

Vishay disclaims any and all liability arising out of the use or application of any product described herein or of any information provided herein to the maximum extent permitted by law. The product specifications do not expand or otherwise modify Vishay's terms and conditions of purchase, including but not limited to the warranty expressed therein, which apply to these products.

No license, express or implied, by estoppel or otherwise, to any intellectual property rights is granted by this document or by any conduct of Vishay.

The products shown herein are not designed for use in medical, life-saving, or life-sustaining applications unless otherwise expressly indicated. Customers using or selling Vishay products not expressly indicated for use in such applications do so entirely at their own risk and agree to fully indemnify Vishay for any damages arising or resulting from such use or sale. Please contact authorized Vishay personnel to obtain written terms and conditions regarding products designed for such applications.

Product names and markings noted herein may be trademarks of their respective owners.