

GENERAL NOTES:

1. MATERIAL:

HOUSING:

UPPER HOUSING: GLASS FILLED POLYESTER, UL 94V-0, COLOR: BLACK.  
 LOWER HOUSING: GLASS FILLED POLYESTER, UL 94V-0, COLOR: BLACK.  
 STRAIN RELIEF: GLASS FILLED POLYESTER, UL 94V-0, COLOR: BLACK.  
 TERMINALS: PHOSPHOR BRONZE C52100 ALLOY.

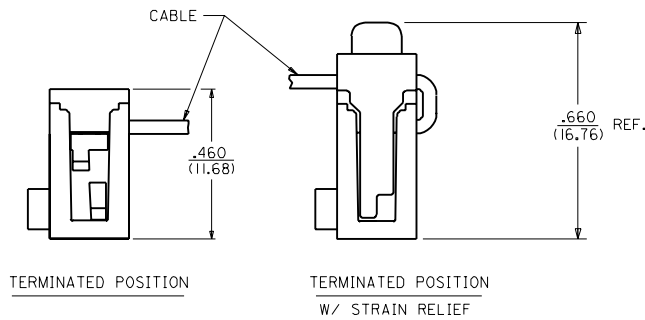
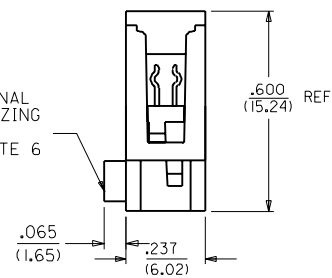
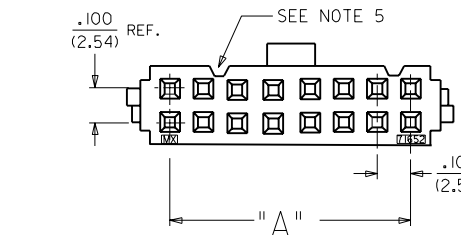
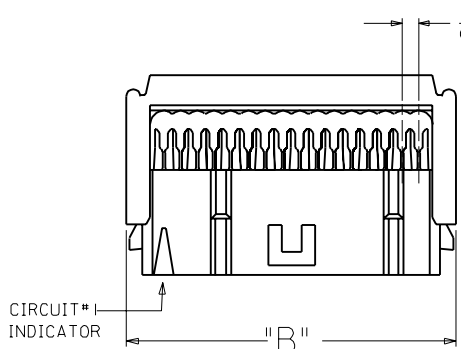
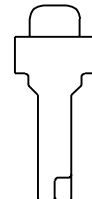
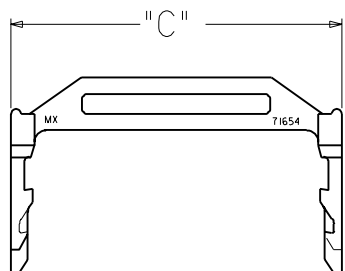
2. FINISH NOTES:

- (164) TIN-LEAD (Sn-Pb) ALLOY OVER ENTIRE PIN; THICKNESS=(3.75 MICROMETER)/75 MICROINCH MINIMUM;  
 NICKEL (Ni) UNDERPLATE OVER ENTIRE PIN.
- (571) SELECTIVE GOLD (Au) IN THE CONTACT AREA; THICKNESS=(0.37 MICROMETER)/15 MICROINCH MINIMUM;  
 SELECTIVE TIN-LEAD (Sn-Pb) ALLOY IN THE PC TAIL AREA; THICKNESS=(1.88 MICROMETER)/75 MICROINCH MINIMUM;  
 NICKEL (Ni) UNDERPLATE OVER ENTIRE PIN.
- (574) SELECTIVE GOLD (Au) IN THE CONTACT AREA; THICKNESS=(0.75 MICROMETER)/30 MICROINCH MINIMUM;  
 SELECTIVE TIN-LEAD (Sn-Pb) ALLOY IN THE PC TAIL AREA; THICKNESS=(1.88 MICROMETER)/75 MICROINCH MINIMUM;  
 NICKEL (Ni) UNDERPLATE OVER ENTIRE PIN.

- 3. PRODUCT CONFORMS TO PS-70625 PRODUCT SPEC.
- 4. FOR ILLUSTRATION PURPOSES, 16 CKT SIZE ASSEMBLY IS SHOWN
- 5. THE SECOND POLARIZING FEATURE ON THIS END IS NON-EXISTENT ON 14 CKT. & SMALLER CONNECTORS.
- 6. CENTER KEY OPTIONAL. SEE PAGES 2 AND 3.
- 7. FOR USE WITH AWG #26 & #28 STRANDED WIRE, (1.14)/.045 MAX. DIA INSULATION RIBBON CABLE WITH (1.27)/.050 CENTERS.
- 8. CONNECTOR HOUSING MEETS MIL-C-83503/7B (USAF)

DIMENSIONS

DIMENSIONS			NO. OF CKTS.
A	B	C	
(7.62)	(14.55)	(14.81)	8
.300	.573	.583	
(10.16)	(17.09)	(17.38)	10
.400	.673	.683	
(12.70)	(19.63)	(19.89)	12
.500	.773	.783	
(15.24)	(22.17)	(22.43)	14
.600	.873	.883	
(17.78)	(24.74)	(24.97)	16
.700	.973	.983	
(22.86)	(29.79)	(30.05)	20
.900	1.173	1.183	
(25.40)	(32.33)	(32.59)	22
1.000	1.273	1.283	
(27.94)	(34.87)	(35.13)	24
1.100	1.373	1.383	
(30.48)	(37.41)	(37.67)	26
1.200	1.473	1.483	
(33.02)	(39.95)	(40.21)	28
1.300	1.573	1.583	
(35.56)	(42.49)	(42.75)	30
1.400	1.673	1.683	
(38.10)	(45.03)	(45.29)	32
1.500	1.773	1.783	
(40.64)	(47.57)	(47.83)	34
1.600	1.873	1.883	
(43.18)	(50.11)	(50.37)	36
1.700	1.973	1.983	
(48.26)	(55.19)	(55.45)	40
1.900	2.173	2.183	
(53.34)	(60.27)	(60.53)	44
2.100	2.373	2.383	
(60.96)	(67.89)	(68.15)	50
2.400	2.673	2.683	
(73.66)	(80.59)	(80.85)	60
2.900	3.173	3.183	
(76.20)	(83.13)	(83.39)	62
3.000	3.273	3.283	
(78.74)	(85.67)	(85.93)	64
3.100	3.373	3.383	



C		OBSOLETE TAPE PACK ECPM U072000-0927 DMORGAN 00/03/31
BI		REVISED PER ECR U81411 MCGRATH 97/12/30
B		CHANGED MATERIAL PER ECR U51214 95/06/06 CAC
A		RELEASED PER U21200 93/11/16 RB
3	C	
2	C	
1	C	
MFG.	SH.	REV.
		LTR.

UNLESS OTHERWISE SPECIFIED TOLERANCES: ANGULAR ± 1/2°

	INCH	METRIC
3 PLACE	± .005	---
2 PLACE	± .01	± 0.13
1 PLACE	---	± 0.25

DRAFT WHERE APPLICABLE MUST REMAIN WITHIN DIMENSIONS

REVISIONS ONLY ON CAD SYSTEM

TITLE: SALES ASSEMBLY CONNECTOR I.D./RIBBON CABLE TYPE WITH STRAIN RELIEF AND OPTIONAL CENTER POLARIZATION

MOLEX INCORPORATED  
 LITTLE ROCK, AR 60532 U.S.A.

SHEET NO. 1 OF 5  
 DATE 93/11/16

PART NO. SDA-70625-0-P  
 DRWG. NO. SDA-70625-0-P

DRWG. BY RB  
 FILE NAME S70625PO1

SCALE 4 : 1

SIZE TC C

