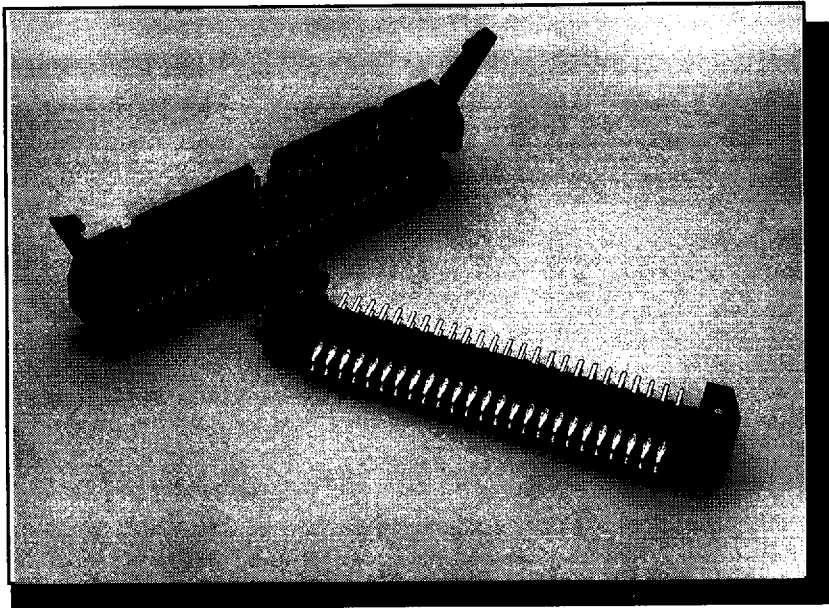


# Ribbon Cable Headers

A-61-05-05




Augat compliant pin, press-fit, ribbon cable headers give you a wide range of economical and versatile options. They are industry compatible, available in two shroud options and offered without or with long or short latches.

A variety of termination pin lengths and plating options are also available and styles are offered with solder pins if required.

## Dimensions

Pin Qty.	A	B	C	D
10	(32.00) 1.260	(27.69) 1.098	(10.16) .400	(17.88) .704
16	(39.62) 1.560	(35.51) 1.398	(17.78) .700	(25.50) 1.004
20	(44.70) 1.760	(40.59) 1.598	(22.86) .900	(20.56) 1.204
26	(52.32) 2.060	(48.21) 1.898	(30.48) 1.200	(38.20) 1.504
34	(62.48) 2.460	(58.36) 2.298	(40.64) 1.600	(48.36) 1.904
40	(70.10) 2.760	(65.99) 2.598	(48.26) 1.900	(55.98) 2.204
50	(82.80) 3.260	(78.69) 3.098	(60.96) 2.400	(68.68) 2.704

## Features

- Industry compatible
- Shroud options
- Latch options
- UL Recognized 

## Materials

- Insulator: Glass filled polyester UL94V0
- Contact: Phosphor bronze per Federal Specification QQ-B-750
- Plating: Nickel per QQ-N-290  
Gold per MIL-G-45024 Type 1  
Tin per MIL-T-10727 Type 1

## Performance Characteristics

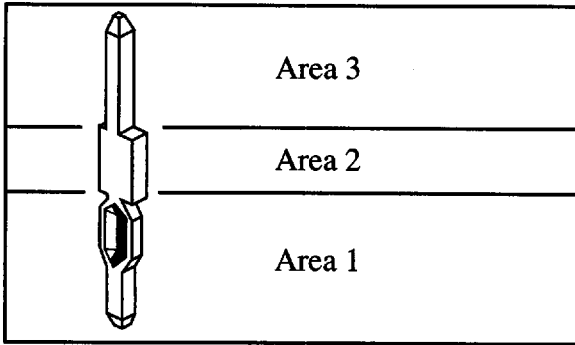
- Insulator resistance:  $\geq 10^5$  Megohms
- Dielectric withstand:  $\geq 1000$ VRMS, 60Hz at sea level
- Temperature rating:  $-55^\circ\text{C}$  to  $+120^\circ\text{C}$
- Recommended hole sizes:  
Press-fit: Drilled .0463/.0443  
Copper minimum: .001/side  
Finish: .043/.037  
Solder: Finish .041/.035
- Marking: Meets MIL-STD-202 Method 215

## Part Number

42	—	X	X	X	X	—	X	XX
Straight Post Header	Series	Type	Latch Optional	Tail Length "L"	Plating Codes	Total Contacts		
	0 - 4 Sided 1 - 3 Sided	0 - Solder Tail	0 - None 1 - .418 2 - .568	0 - .188	8 9	10 16 20 26	34 40 50	
	0 - 4 Sided 1 - 3 Sided	1 - Press Fit	0 - None 1 - .418 2 - .568	0 - .188 2 - .518 5 - .660	8 9	10 16 20 26	34 40 50	

**Contact Plating Locations**

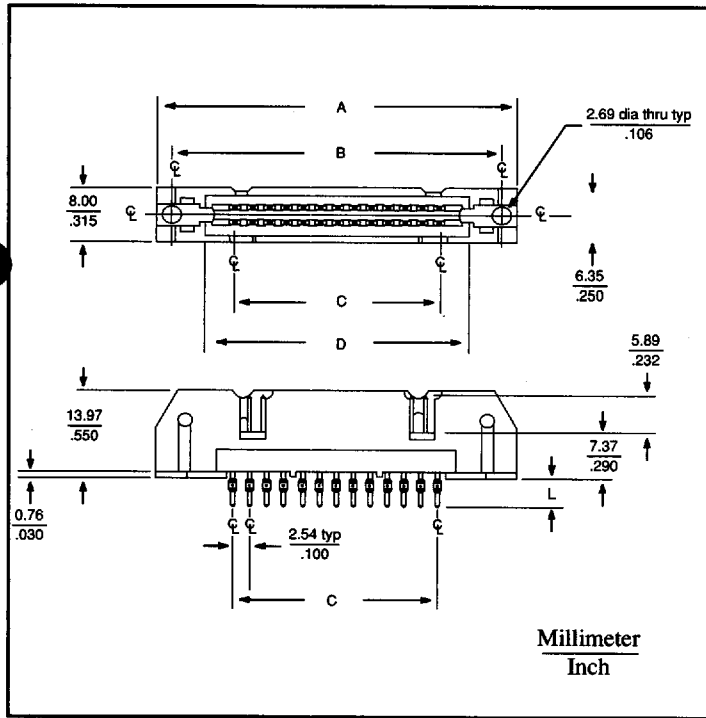
**Plating Codes**



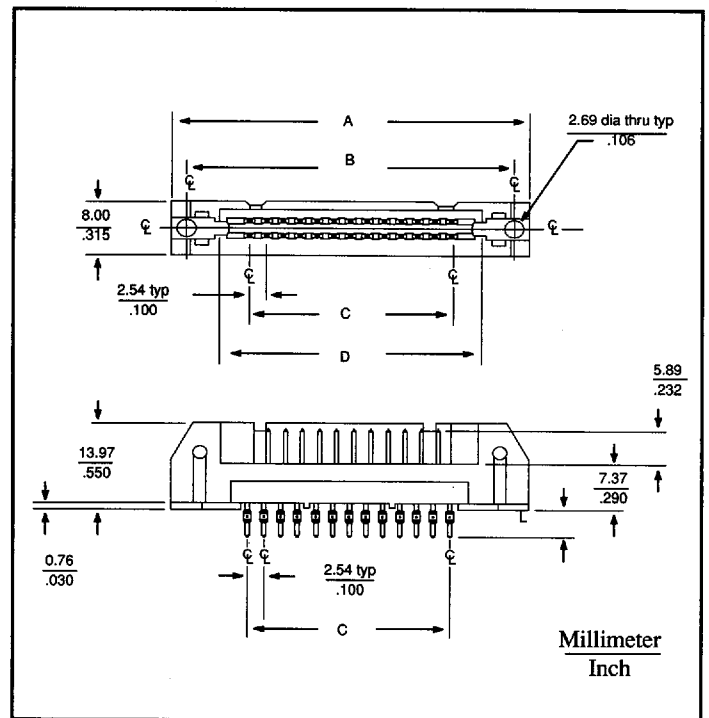
Code	Area 1	Area 2	Area 3
8	100/200 μ" in. 90 tin/10 lead	NICKEL	20 μ" in. gold
9	100/200 μ" in. 90 tin/10 lead	NICKEL	30 μ" in. gold

50/100 μ" nickel undercoat overall

**Fully Shrouded Headers (4 sides)**



**Shrouded on 3 Sides**



**Latch Options**

