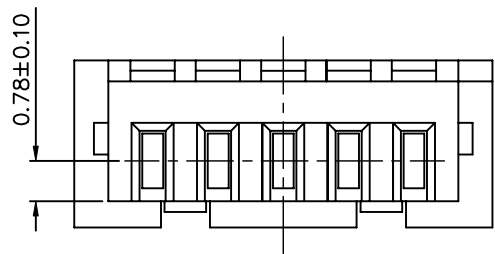
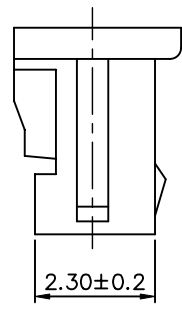
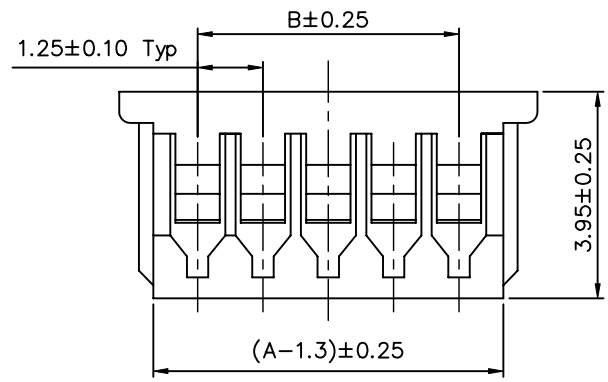
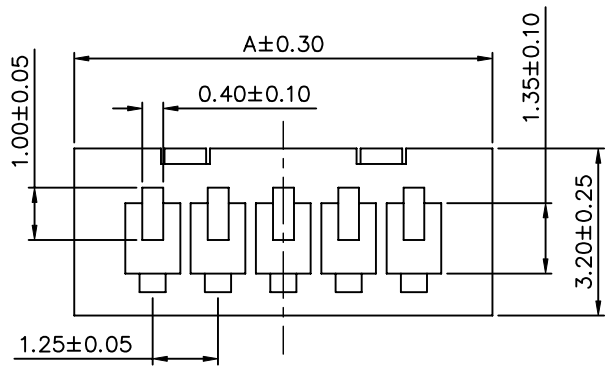


**SPECIFICATIONS**

Current Rating: 1A AC,DC  
 Voltage Rating: 125V AC,DC  
 Temperature Range: -25°C ~ +85°C  
 Contact Resistance: 20 Milliohms Max.  
 Insulation Resistance: 500 Megohms Min.  
 Withstanding Voltage: 500V AC/Minute  
 Material: PBT+15%GF, Milk White  
 RoHS Compliant



Circuits	Dim.A	Dim.B
2	4.25	1.25
3	5.50	2.50
4	6.75	3.75
5	8.00	5.00
6	9.25	6.25
7	10.50	7.50
8	11.75	8.75
9	13.00	10.00
10	14.25	11.25
11	15.50	12.50
12	16.75	13.75
13	18.00	15.00
14	19.25	16.25
15	20.50	17.75
16	21.75	18.75

**AUK** A MEMBER OF AUK GROUP  
**太聯事業股份有限公司**  
**AUK CONTRACTORS CO., LTD.**

CATEGORY		APPROVED BY		UNLESS OTHERWISE SPECIFIED TOLERANCES ARE .X ±0.25 .X* ±2* .XX ±0.20 .XX* ±1* .XXX ±0.10
PART No. FHXXH-H		MEI		
DRAWING No. FHXXH-H		CHECKED BY HZF		
		DRAWING BY LXX		
SCALE	NONE	REV.	BO	UNIT mm

NO.	REV.	REVISIONS	CHK	DATE
△ BO		NEW RELEASE	HZF	04/24/2008