

## HIGH TEMPERATURE RIGHT ANGLE STANDARD HEADERS WITH AND WITHOUT RETAINER/EJECTOR LATCHES .100" x .100" CENTERS



LR92984 E60980

### PHYSICAL PROPERTIES

**INSULATION MATERIAL:** Glass filled thermoplastic rated UL 94V-0, Infrared and vapor phase process compatible  
**COLOR:** Black  
**CONTACT MATERIAL:** Phosphor bronze with 30µ inches min. gold over 50µ inches min. nickel plating

### ELECTRICAL PROPERTIES

**CURRENT RATING:** 1 Amp  
**INSULATION RESISTANCE:** >1 x 10<sup>9</sup> Ohms @500 VDC  
**DIELECTRIC STRENGTH:** >1000 VRMS @ sea level

### ENVIRONMENTAL PROPERTIES

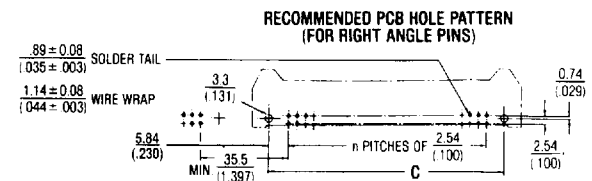
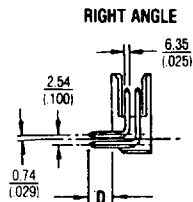
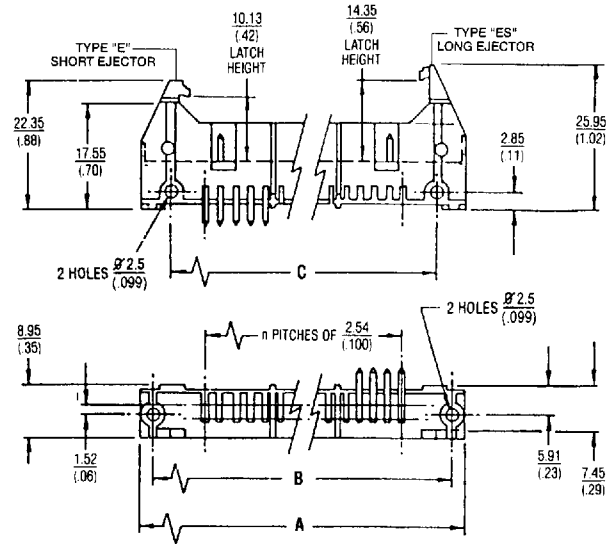
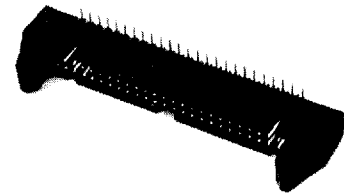
**TEMPERATURE RATING:** -55°C TO 125°C

### MATING CONNECTORS

**FEMALE SOCKETS:** See pages 8-10

### ACCESSORIES

**POLARIZING KEY:** See page 42



### Ordering Information

PCB 1.57MM (.062) D=2.9MM (.114) RIGHT ANGLE	CATALOG NUMBERS			NO. OF POS.	DIMENSIONS IN MM (INCHES)		
	PCB 3.18 MM (.125) D=4.48MM (.176) RIGHT ANGLE	WIREWRAP D=15.5MM (.610) RIGHT ANGLE			A	B	C
609-0604**HT	609-0614**HT	609-0644**HT	6	27.05 (1.07)	22.86 (.90)	16.76 (.66)	
609-1004**HT	609-1014**HT	609-1044**HT	10	32.13 (1.26)	27.94 (1.10)	21.64 (.85)	
609-1204**HT	609-1214**HT	609-1244**HT	12	34.64 (1.36)	30.48 (1.20)	24.38 (.96)	
609-1404**HT	609-1414**HT	609-1444**HT	14	37.21 (1.46)	33.02 (1.30)	26.92 (1.06)	
609-1604**HT	609-1614**HT	609-1644**HT	16	39.75 (1.56)	35.56 (1.40)	29.46 (1.16)	
609-2004**HT	609-2014**HT	609-2044**HT	20	44.83 (1.76)	40.64 (1.60)	34.54 (1.36)	
609-2404**HT	609-2414**HT	609-2444**HT	24	49.88 (1.96)	45.72 (1.80)	39.62 (1.56)	
609-2604**HT	609-2614**HT	609-2644**HT	26	52.45 (2.06)	48.26 (1.90)	42.16 (1.66)	
609-3004**HT	609-3014**HT	609-3044**HT	30	57.50 (2.26)	53.34 (2.10)	47.26 (1.86)	
609-3404**HT	609-3414**HT	609-3444**HT	34	62.61 (2.46)	58.42 (2.30)	52.32 (2.06)	
609-3604**HT	609-3614**HT	609-3644**HT	36	65.12 (2.56)	60.96 (2.40)	54.86 (2.16)	
609-4004**HT	609-4014**HT	609-4044**HT	40	70.23 (2.76)	66.04 (2.60)	59.94 (2.36)	
609-4404**HT	609-4414**HT	609-4444**HT	44	75.31 (2.96)	71.12 (2.80)	65.02 (2.56)	
609-5004**HT	609-5014**HT	609-5044**HT	50	82.93 (3.26)	78.74 (3.10)	72.64 (2.86)	
609-6004**HT	609-6014**HT	609-6044**HT	60	95.63 (3.76)	91.44 (3.60)	85.35 (3.36)	
609-6404**HT	609-6414**HT	609-6444**HT	64	100.71 (3.96)	96.52 (3.80)	90.42 (3.56)	

\*\* For long ejectors, add ES (609-XXXXESHT). For short ejectors, add E (609-XXXXEHT)  
 Add "R" suffix to part number for PCB retention feature.