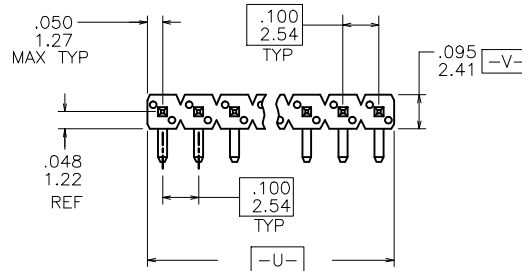


PRODUCT NUMBER

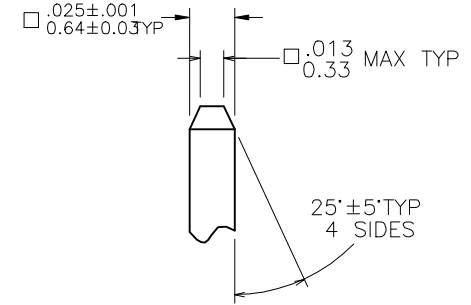
XXXXX-YYY HTLF

- LEAD FREE OPTION
SEE NOTE 1,8
- TUBE PACKAGING OPTION
SEE NOTE 1
- HIGH TEMPERATURE PLASTIC
SEE NOTE 1
- NO OF POSITIONS
SEE NOTE 1
- PIN PLATING
SEE SHEET 2
- BASE PART NO.

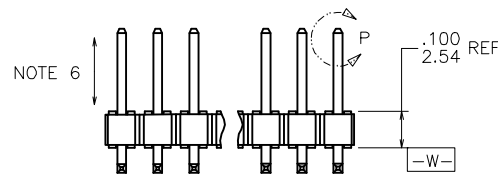
$\varnothing .020/0.51$ (M) U (M) V (S) W
NOTE 4



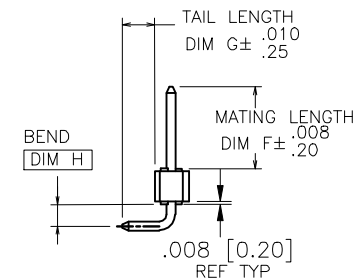
TOP VIEW



DETAIL P
TYP BOTH ENDS



SIDE VIEW



END VIEW

68015-X XX-XXX XXX LF

- TAIL LENGTH (EXAMPLE BELOW)
3.0mm=030 12.8mm=128 (SEE NOTE 11 & 12)
- MATING LENGTH (EXAMPLE BELOW)
5.0mm=050 25.5mm=255 (SEE NOTE 11 & 12)
- TOTAL NUMBER OF POSITION
FROM 1 THRU 36 POS. (SEE NOTE 1)
- PIN PLATING (SEE NOTE 13)
1=0.76µm Au
4= PURE TIN
8=0.36µm Au
- BASE PART NO.
SINGLE ROW RIGHT ANGLE

mat'l. code SEE NOTES 2 & 3				surface ISO 1902	tolerance ISO 406 ISO 1101	projection ISO 1002	product family BERGSTIK
ltr	ecn no	dr	date	tolerances unless otherwise specified		INCH/MM	title BERGSTIK® II HEADER .100/2.54cc SR R/A
AR	M05-0072	MHT	5/03/05	angles	.XX±.01/XX±0.3	scale 2:1	dwg no 68015 sheet 1 of 4 size A3
AS	M06-0268	MHT	7/17/06	linear	.XXX±.006/XXX±0.13		
AT	M06-0348	MHT	9/04/06	0'±2'	.XXX±.0020/XXX±0.051	type Product Customer Drawing	index
AU	M08-0154	MHT	5/27/08	dr	T.BREWBAKER 01/31/95		
AV	M08-0169	MHT	6/16/08	engr	T.HANNA 01/31/95		
AW	M08-0267	MHT	9/25/08	chr	T.HANNA 01/31/95		
AX	M08-0331	MHT	12/01/08	appd	T.HANNA 01/31/95		
sheet	revision	AX	AX	AX	AX		
index	sheet	1	2	3	4		

PIN PLATING CODES:	
XXXXX-1YY	30u"/0.76u MIN (SEE NOTE 9) OVER 50u"/1.27u MIN Ni
XXXXX-2YY	15u"/0.38u MIN (SEE NOTE 9) OVER 50u"/1.27u MIN Ni
XXXXX-3YY	50u"/1.27u MIN Au OVER 50u"/1.27u MIN Ni
XXXXX-4YY	100u"/2.54u MIN Sn OVER 50u"/1.27u MIN Ni (SEE NOTE 10)
XXXXX-4YYHLF	
XXXXX-5YY	15u"/0.38u MIN (SEE NOTE 9) OVER 50u"/1.27u MIN Ni
XXXXX-6YY	30u"/0.76u MIN (SEE NOTE 9) OVER 50u"/1.27u MIN Ni
XXXXX-7YY	30u"/0.76u MIN Au OVER 50u"/1.27u MIN Ni
XXXXX-8YY	15u"/0.38u MIN Au OVER 50u"/1.27u MIN Ni
XXXXX-9YY	15u"/0.38u MIN GXT OVER 50u"/1.27u MIN Ni
XXXXX-0YY	30u"/0.76u MIN GXT OVER 50u"/1.27u MIN Ni

NOTES

1. PART NUMBER OPTIONS:

PIN PLATING CODES (SEE ABOVE)

HIGH TEMP. MATERIAL:

PART NUMBERS WITH AND WITHOUT "H" WILL BE SUPPLIED WITH HIGH TEMPERATURE PLASTIC.

NUMBER OF POSITION:

ANY NUMBER OF POSITIONS FROM 1 THRU 36.

PACKAGING:

PACKAGED IN POLY BAGS.

EIGHT DIGIT PART NUMBERS FOLLOWED BY A "T" ARE PACKAGED IN TUBES. SEE SPECIFIC PART NUMBERS FOR AVAILABILITY.

LEAD FREE:

ADD "HLF" SUFFIX AT THE END OF PART NUMBER FOR LEAD FREE OPTION, NOT AVAILABLE FOR -5YY, -5YYH, -6YY & -6YYH.

2. BODY MATERIAL:

MANUFACTURER'S OPTION OF NYLON OR PCT, GLASS FIBER REINFORCED, OR LCP MINERAL FIBER FLAME RETARDENT PER UL-94V-0. COLOR: BLACK.

PART NUMBERS WITH AND WITHOUT "H" SUFFIX WILL WITHSTAND EXPOSURE TO 260°C PEAK TEMPERATURE FOR 20 SECONDS IN WAVE SOLDER, INFRA-RED OR VAPOR PHASE SOLDER PROCESS.

- 3. PIN MATERIAL: PHOS-BRONZE.
- 4. MEASURED WITH PART IN RESTRAINED CONDITION.
- 5. TWO SIDES OF PIN TIPS NOT PLATED. TYPICAL BOTH ENDS.
- 6. 2LBS/0.9KG MIN PIN RETENTION IN EITHER DIRECTION.
- 7. MILITARY BERGSTIK HEADER
P/N XXXXX-XY-MIL
NOT AVAILABLE.
- 8. THESE PRODUCTS MEETS EUROPEAN UNION DIRECTIVES AND OTHER COUNTRY REGULATION AS DESCRIBED IN GS-22-008.
- 9. PLATING OPTIONS:
MAY BE EITHER GOLD OR GXT PLATED AT MANUFACTURER'S OPTION.
- 10. "THIS PRODUCT HAS 100% TIN PLATING IN THE INTERFACE AND HAS NOT BEEN TESTED FOR WHISKER GROWTH IN ALL INTERCONNECT ENVIRONMENTS."
- 11. THE OAL DON'T EXCEED 31mm
OAL= MATTING DIM+4.0mm<31mm WHERE THE SUM OF TAIL AND MATTING LENGTH DON'T EXCEED 27mm
- 12. INCREMENTS BY 0.1mm IN LENGTHS ONLY
- 13. FOR SPECIAL PACKAGING REQUEST PLEASE CONTACT PRODUCT MANAGER FOR AVAILABILITY
- 14. BEND DIMENSIONS AT 1.5mm ONLY

.100±.003 [2.54±.08]
TYP. NON-ACCUMULATIVE

Ø.040±.003 [1.02±.08]
TYP.



RECOMMENDED HOLE PATTERN

mat'l code SEE NOTES 2 & 3		surface ISO 1302	tolerance ISO 406 ISO 1101	projection	product family BERGSTIK
ltr	ecn no	dr	date	tolerances unless otherwise specified	title
AX				linear XX±.01/XX±0.3 XXX±.006/XXX±0.13 XXXX±.0020/XXXX±0.051	BERGSTIK® II HEADER .100/2.54cc SR R/A
				0'±2'	scale 2:1
		dr	T.BREWBAKER	01/31/95	dwg no
		engr	T.HANNA	01/31/95	sheet 2 of 4
		chr	T.HANNA	01/31/95	size
		appd	T.HANNA	01/31/95	A3
sheet	revision				type
index	sheet				Product Customer Drawing

PRODUCT NUMBER	MATING LENGTH		TAIL LENGTH		BEND DIM		PACKAGING	LF OPTION
	DIM F	DIM F	DIM G	DIM G	DIM H	DIM H		
	ENGLISH	METRIC	ENGLISH	METRIC	ENGLISH	METRIC		
68015-YYY	0.230	5.84	0.090	2.29	0.060	1.52	POLY BAGS/TUBES	NOTE 1,8
68016-YYY	0.230	5.84	0.120	3.05	0.060	1.52	POLY BAGS/TUBES	
68023-YYY	0.135	3.43	0.305	7.75	0.135	3.43	POLY BAGS	
68417-YYY	0.230	5.84	0.390	9.91	0.060	1.52	POLY BAGS	
68423-YYY	0.318	8.08	0.120	3.05	0.060	1.52	POLY BAGS/TUBES	
68458-YYY	0.318	8.08	0.110	2.79	0.060	1.52	POLY BAGS	
68461-YYY	0.400	10.16	0.320	8.13	0.260	6.60	POLY BAGS	
68468-YYY	0.230	5.84	0.195	4.95	0.160	4.06	POLY BAGS	
68488-YYY	0.230	5.84	0.180	4.57	0.060	1.52	POLY BAGS	
68494-YYY	0.400	10.16	0.110	2.79	0.060	1.52	POLY BAGS	
68498-YYY	0.230	5.84	0.220	5.59	0.160	4.06	POLY BAGS	
68626-YYY	0.230	5.84	0.295	7.49	0.060	1.52	POLY BAGS	
68627-YYY	0.120	3.05	0.185	4.70	0.150	3.81	POLY BAGS	
68628-YYY	0.230	5.84	0.590	14.99	0.060	1.52	POLY BAGS	
68641-YYY	0.230	5.84	0.490	12.45	0.060	1.52	POLY BAGS	
68660-YYY	0.110	2.79	0.230	5.84	0.135	3.43	POLY BAGS	
68694-YYY	0.600	15.24	0.120	3.05	0.060	1.52	POLY BAGS	
68757-YYY	0.350	8.89	0.220	5.59	0.100	2.54	POLY BAGS	
68758-YYY	0.275	6.99	0.120	3.05	0.060	1.52	POLY BAGS	
68764-YYY	0.100	2.54	0.120	3.05	0.060	1.52	POLY BAGS	
68782-YYY	0.318	8.08	0.180	4.57	0.060	1.52	POLY BAGS	
68798-YYY	0.110	2.79	0.230	5.84	0.160	4.06	POLY BAGS	
69189-YYY	0.310	7.87	0.250	6.35	0.060	1.52	POLY BAGS	
71270-YYY	0.600	15.24	0.189	4.80	0.060	1.52	POLY BAGS	
72342-YYY	0.120	3.05	0.250	6.35	0.060	1.52	POLY BAGS	
78230-YYY	0.310	7.87	0.330	8.38	0.060	1.52	POLY BAGS	
78231-YYY	0.310	7.87	0.290	7.37	0.060	1.52	POLY BAGS	

mat'l. code SEE NOTES 2 & 3		surface ISO 1302	tolerance ISO 406 ISO 1301	projection 	product family BERGSTIK
ltr	ecn no	dr	date	tolerances unless otherwise specified	title BERGSTIK® II HEADER .100/2.54cc SR R/A
AX				linear XX±.01/XX±0.3 XXX±.006/XXX±0.13 O'±.2' XXXX±.0020/XXXX±0.051	INCH/MM scale 2:1
dr	T.BREWBAKER		01/31/95		dwg no 68015
engr	T.HANNA		01/31/95		sheet 3 of 4 size A3
chr	T.HANNA		01/31/95		
appd	T.HANNA		01/31/95		type Product Customer Drawing
sheet index	revision sheet				



Copyright FCJ

PRODUCT NUMBER	MATING LENGTH		TAIL LENGTH		BEND DIM		PACKAGING
	DIM F	DIM F	DIM G	DIM G	DIM H	DIM H	
	ENGLISH	METRIC	ENGLISH	METRIC	ENGLISH	METRIC	
78234-XXX	0.230	5.84	0.140	3.56	0.160	4.06	POLY BAGS
78541-XXX	0.318	8.08	0.080	2.03	0.060	1.52	POLY BAGS
78587-XXX			UNAVAILABLE				
78938-XXX	0.120	3.05	0.120	3.05	0.060	1.52	POLY BAGS
78955-XXX	0.075	1.91	0.090	2.29	0.060	1.52	POLY BAGS
78978-XXX	0.120	3.05	0.318	8.08	0.135	3.43	POLY BAGS
79409-XXX			UNAVAILABLE				
84846-XXYH	0.140	3.56	0.290	7.37	0.153	3.89	POLY BAGS
84917-XXYH	0.090	2.29	0.195	4.95	0.190	4.83	POLY BAGS
84935-XXYH	0.450	11.43	0.320	8.13	0.260	6.60	POLY BAGS
84936-XXYH	0.350	8.89	0.120	3.05	0.060	1.52	POLY BAGS
87532-XXYH	0.230	5.84	0.890	22.61	0.060	1.52	POLY BAGS
88813-XXX	0.230	5.84	0.085	2.16	0.060	1.52	POLY BAGS
92050-XXX	0.162	4.11	0.120	3.05	0.060	1.52	POLY BAGS
92632-XXX	0.100	2.54	0.318	8.08	0.060	1.52	POLY BAGS
92909-XXX	0.400	10.16	0.220	5.59	0.060	1.52	POLY BAGS
94099-XXX	0.157	3.99	0.090	2.29	0.060	1.52	POLY BAGS
94529-XXYH	0.120	3.05	0.295	7.49	0.135	3.43	POLY BAGS
94671-XXYH	0.090	2.29	0.085	2.16	0.180	4.57	POLY BAGS
95653-XXYH	0.330	8.38	0.310	7.87	0.160	4.06	POLY BAGS
95666-XXYH	0.230	5.84	0.145	3.68	0.060	1.52	POLY BAGS
10089061-XXX	0.125	3.18	0.318	8.08	0.135	3.43	POLY BAGS

LF
OPTION
NOTE 1,8

NOTE 1,8



Copyright FCJ

mat'l. code SEE NOTES 2 & 3		surface ISO 1302	tolerance ISO 406 ISO 1101	projection 	product family BERGSTIK
ltr	ecn no	dr	date	tolerances unless otherwise specified	title BERGSTIK® II HEADER .100/2.54cc SR R/A
AX				linear XX±.01/XX±.03 XXX±.006/XXX±.013 O'±.2' XXXX±.0020/XXXX±.0051	INCH/MM scale 2:1
dr	T.BREWBAKER	01/31/95			dwg no 68015
engr	T.HANNA	01/31/95			sheet 4 of 4 size A3
chr	T.HANNA	01/31/95			type Product Customer Drawing
appd	T.HANNA	01/31/95			
sheet index	revision sheet				