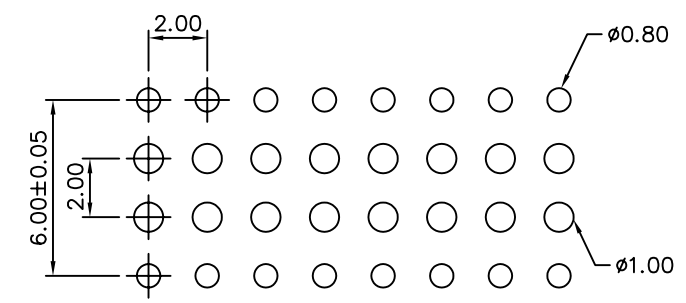
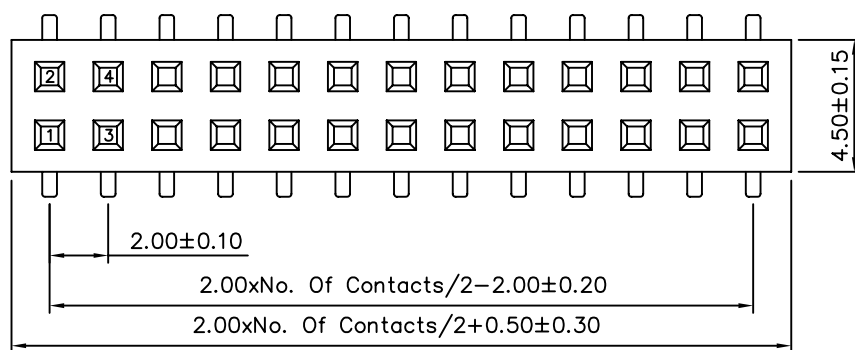
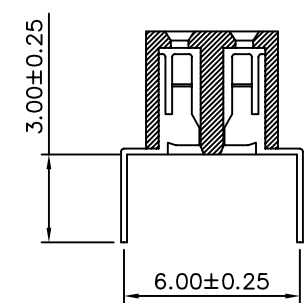
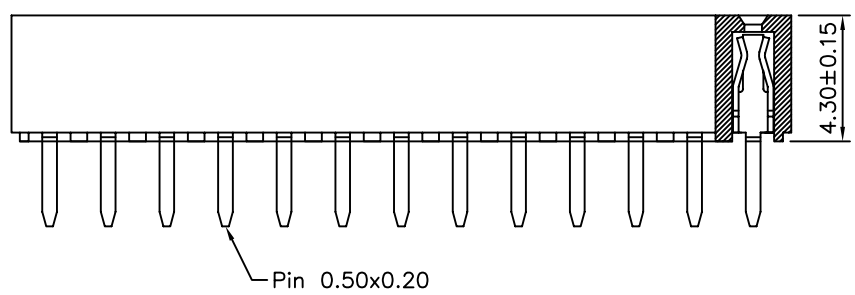


SPECIFICATIONS
 Current Rating: 1.5 Amp
 Insulator Resistance: 1000 Megohms Min.
 Contact Resistance: 20 Milliohms Max.
 Dielectric Withstanding: AC 500V/Minute
 Operating Temperature: -40°C To +105°C
 Contact: Phosphor Bronze, Gold Flash Over All
 Insulator: Polyester PA66+30%GF, UL 94V-0



Recommended PCB Hole Layout



AUK A MEMBER OF AUK GROUP
太聯事業股份有限公司
AUK CONTRACTORS CO., LTD.

CATEGORY		APPROVED BY		UNLESS OTHERWISE SPECIFIED TOLERANCES ARE .X ±0.38 .XX ±0.25 .XXX ±0.12						
PART No. SB2XXXP6		MEI								
DRAWING No. SB2XXXP6		CHECKED BY BECKY								
		DRAWING BY HZF								
SCALE	NONE	REV.	A0	UNIT mm			A0	NEW RELEASE	BECKY	10/17/2005
							NO. REV.	REVISIONS	CHK	DATE