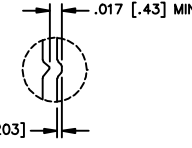
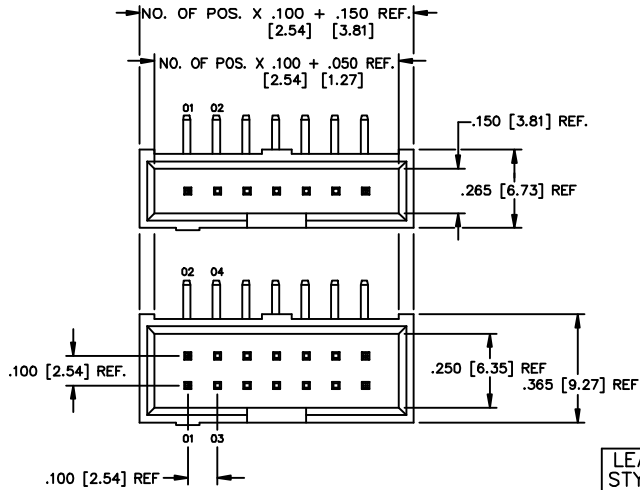


UNLESS OTHERWISE NOTED
 DIMENSIONS ARE IN INCHES
 TOLERANCES ARE:
 ONE PLACE DECIMALS ± .1 [3] THREE PLACE DECIMALS ± .005 [.13]
 TWO PLACE DECIMALS ± .01 [.3] FOUR PLACE DECIMALS ± .0020 [.051]
 ANGLES ± 2°



CRIMP DETAIL
 SCALE: 2x
 [TYP - ALL CRIMPS]

TSS-1XX-XX-XXX-X-XX-XX

NO. OF POSITIONS
 -03 THRU -18 #
 20, 21, 24, 25, 28, 30, 32, 36

LEAD STYLE
 SEE TABLE 1

POLARIZE OPTION
 XX INDICATES POSITION OMITTED

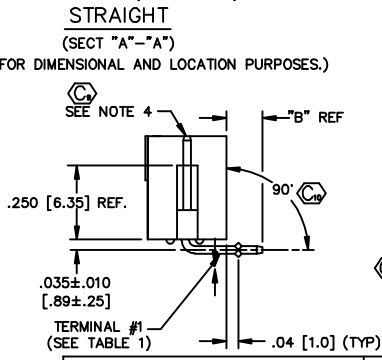
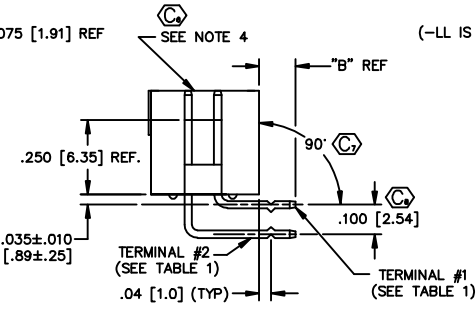
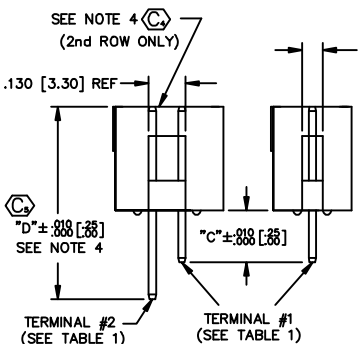
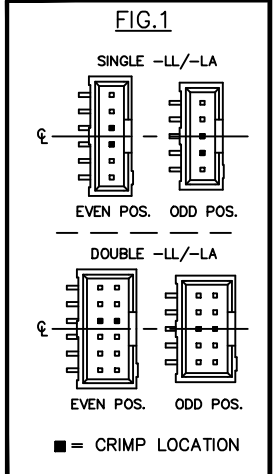
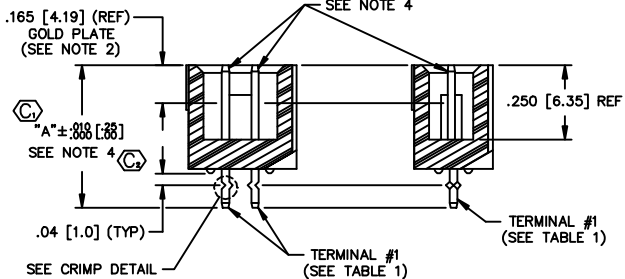
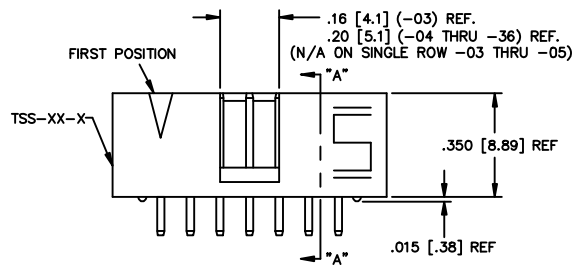
OPTION
 BLANK: STRAIGHT (STYLE -04 & -05 N/A)
 -RA: RIGHT ANGLE (STYLE -01, -02, & -03 N/A)
 -LL: LOCKING LEAD
 -LA: -RA OPTION WITH -LL OPTION

PLATING SPECIFICATION

-G: GOLD-.000010 Au (CONTACT AREA) OVER .000050 NI
 -T: TM-.000200 Sn OVER .000050 NI
 -S: SELECTIVE-.000030 Au (CONTACT AREA), .000200 Sn ON TAIL OVER .000050 NI
 -L: SELECTIVE-.000010 Au (CONTACT AREA), .000200 Sn ON TAIL OVER .000050 NI
 -H: GOLD-.000030 Au (CONTACT AREA) OVER .000050 NI
 -F: FLASH SELECTIVE GOLD-.000003 Au (CONTACT AREA), .000200 Sn ON TAIL OVER .000050 NI
 -P: GOLD FLASHED PALLADIUM NICKEL-.000003 Au OVER .000030 PdNi (CONTACT AREA), .000150 Sn ON TAIL OVER .000050 NI
 *-STL: SELECTIVE TM/LEAD-.000030 Au (CONTACT AREA), .000200 Sn/Pb ON TAIL, OVER .000050 NI. AVAILABLE IN -01 STYLE ONLY

TABLE 1

LEAD STYLE	"A"	"B"	"C" NO RA REPRESS	"C" WITH RA REPRESS *	"D"	TERMINAL #1	TERMINAL #2
-01	.480 [12.19]					T-1S6-17-X-2	
-02	.530 [13.46]					T-1S6-08-X-2	
-03	.930 [23.62]					T-1S6-11-X-2	
-04		.130 [3.30]	.280 [7.11]	.350 [8.89]	.830 [21.08]	T-1S6-15-X-2	T-1S6-10-X-2
-05		.230 [5.84]	.380 [9.65]	.450 [11.43]	.930 [23.62]	T-1S6-09-X-2	T-1S6-11-X-2



- NOTES:
1. TERMINAL PUSHOUT FORCE: 3 lbs.
 2. ASSEMBLE GOLD PLATED END AS SHOWN.
 3. (C) REPRESENTS CRITICAL DIMENSION FOR STATISTICAL PROCESS CONTROL.
 4. TERMINALS TO BE FLUSH TO .010 [.25] BELOW TOP OF SHROUD.
 5. TSS-1XX-04-X-D-RA-XX ASSEMBLIES ARE TO BE PACKAGED IN A PT-1-24-01-40 TUBE WITH TWO TP-13 PLUGS PER TUBE (ALL POSITIONS).
 6. ORIENTATE PINS TO REDUCE THE NUMBER OF BANDOLIER MARKS IN THE POST AREA. (SEE TABLE 2)

DO NOT SCALE FROM THIS PRINT

PROPRIETARY NOTE
 THIS DOCUMENT CONTAINS INFORMATION CONFIDENTIAL AND PROPRIETARY TO SAMTEC INC. AND SHALL NOT BE REPRODUCED OR TRANSMITTED TO OTHER DOCUMENTS OR DISCLOSED TO OTHERS OR USED FOR ANY PURPOSE OTHER THAN THAT FOR WHICH IT WAS OBTAINED WITHOUT THE EXPRESSED WRITTEN CONSENT OF SAMTEC INC.

MATERIAL:
 VALOX 420 SE0 OR 553, OR CELANESE 3316
 COLOR: BLACK

TERMINAL:
 PHOSPHOR BRONZE, ALLOY No 510, GRADE A, FEDERAL SPEC. QQ-B-750, 3/4 HARD, 95 - 105 KPSI TENSILE.
 MATERIAL THICKNESS: .0250±.0003 [.635±.0076]



520 PARK EAST BLVD. NEW ALBANY, INDIANA 47150
 PHONE (812) 944-6733 P.O. BOX 1147
 CODE 55322