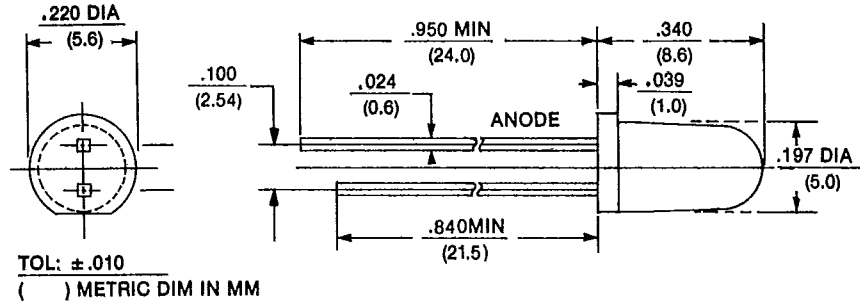
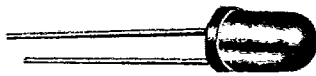


L131 Series

SUPER EFFICIENCY/LOW CURRENT

T-1 3/4 LEDs

T-41-21



FEATURES

- Super Efficiency Chip—Can Operate at Very Low Current
- Super Bright Intensity at 20 Milliamperes
- Low Power Consumption, Compact & Rugged
- Choice of Wide Angle (Diffused) or Point Source (Water Clear)
- Compatible with most Integrated Circuits
- Long Life, Solid State Reliability

ABSOLUTE MAXIMUM RATINGS @25°C

Power Dissipation	75 mW
Storage Temperature	-30°C to +100°C
Operating Temperature	-25°C to +85°C
Continuous Forward Current (Derate @ 0.67 mA/°C from 25°C)	60 mA
Reverse Voltage	3V
Lead Soldering Temperature (0.1"/3 mm from body for 5 Seconds)	260°C

ELECTRO-OPTICAL CHARACTERISTICS

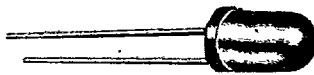
PART #	COLOR	LUMINOUS INTENSITY			FORWARD VOLT-AGE @ 20 mA		PEAK WAVELENGTH	TOTAL VIEWING ANGLE	REVERSE VOLTAGE @ IR = 10µA
		MCD @ 2 mA TYPICAL	MCD @ 20 mA MIN	MCD @ 20 mA TYP	TYP	MAX			
L131DR	RED DIFF	2.0	36.0	100.0	2.1	3.0	650nm	75°	3 VOLTS
L131DG	GREEN DIFF	2.0*	36.0	100.0	2.2	3.0	563nm	75°	3 VOLTS
L131DY	YELLOW DIFF	4.5	36.0	100.0	2.2	3.0	585nm	50°	3 VOLTS
L131CR	RED W. CLEAR	20.0	90.0	250.0	2.1	3.0	650nm	30°	3 VOLTS
L131CG	GREEN W. CLEAR	14.0	90.0	250.0	2.2	3.0	563nm	30°	3 VOLTS
L131CY	YELLOW W. CLEAR	16.0	90.0	250.0	2.2	3.0	585nm	30°	3 VOLTS

*MEASURED AT 4 mA

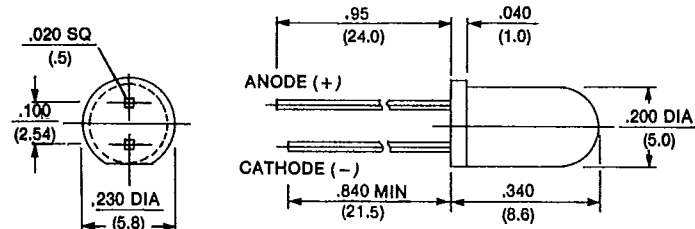
L111 Series

STANDARD EFFICIENCY

T-1 3/4 LEDs



TOL: ±.010
 () METRIC DIM IN MM



FEATURES

- High Intensity
- Low Power Consumption
- Choice of 4 Colors
- Choice of Wide Angle (Diffused) or Point Source (Clear)
- Long Life—Solid State Reliability

ABSOLUTE MAXIMUM RATINGS @25°C

Power Dissipation	60 mW
Derate Linearly from 25°C	1.6 mW/°C
Operating Temperatures	-25°C to +100°C
Storage Temperatures	-30°C to +100°C
Lead Soldering Temperature (0.062"/1.6mm from body for 5 Seconds)	260°C
Continuous Forward Current	30 mA
Peak Forward Current (1 µsec pulse, 0.3% Duty Cycle)	60 mA
Reverse Voltage	3.0 V

ELECTRO-OPTICAL CHARACTERISTICS

PART #	COLOR	LUMINOUS INTENSITY		FORWARD VOLT-AGE @ 20 mA		PEAK WAVELENGTH	TOTAL VIEWING ANGLE	REVERSE VOLTAGE @ IR = 10µA
		MCD @ 20 mA MIN	MCD @ 20 mA TYP	TYP	MAX			
L111DR	RED DIFF	7.0	16.0	2.0	3.0	650nm	60°	3 VOLTS
L111DG	GREEN DIFF	11.0	24.0	2.1	3.0	562nm	60°	3 VOLTS
L111DY	YELLOW DIFF	7.0	16.0	2.1	3.0	585nm	60°	3 VOLTS
L111DA	AMBER DIFF	7.0	16.0	2.0	3.0	610nm	60°	3 VOLTS
L111CR	RED CLEAR	11.0	32.0	2.0	3.0	650nm	30°	3 VOLTS
L111CG	GREEN CLEAR	18.0	50.0	2.1	3.0	562nm	30°	3 VOLTS
L111CY	YELLOW CLEAR	11.0	32.0	2.1	3.0	585nm	30°	3 VOLTS
L111CA	AMBER CLEAR	11.0	32.0	2.0	3.0	605nm	30°	3 VOLTS

*L291 LOW PROFILE T-1¾ AVAILABLE -CONTACT FACTORY