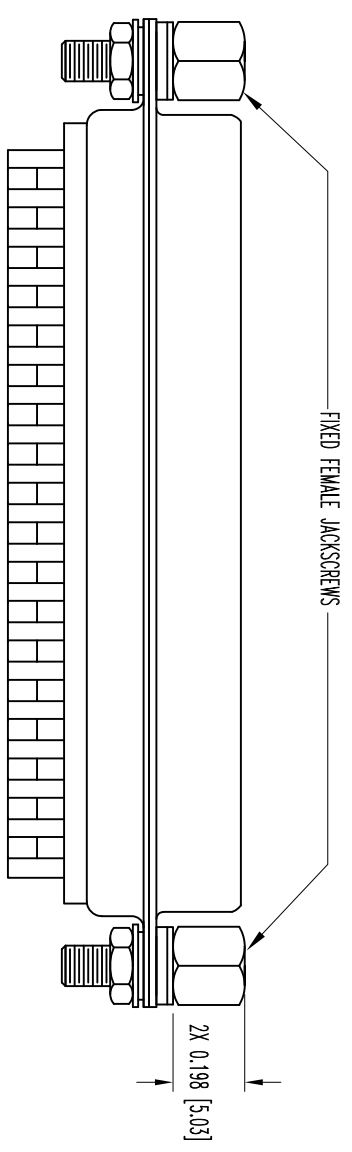
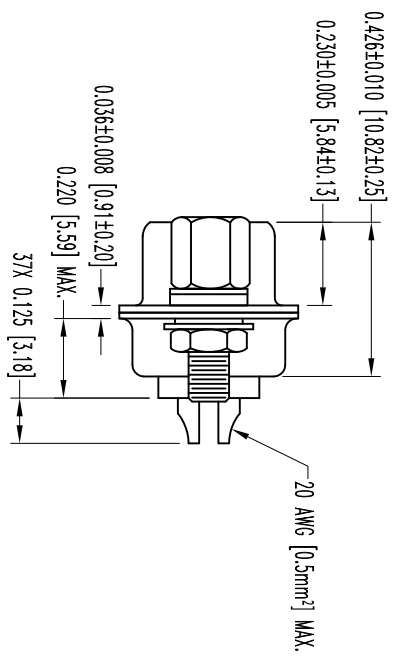
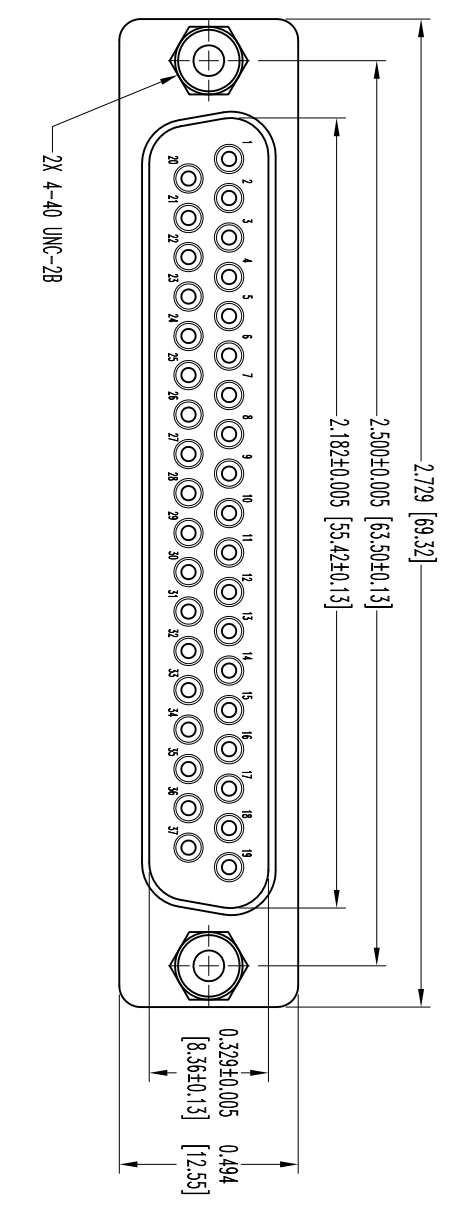


THIS DRAWING CONTAINS INFORMATION PROPRIETARY TO POSITRONIC INDUSTRIES INC. THE DATA ON THIS DRAWING TO BE RELEASED SINCE THE USER EMPLOYER'S SUCH INFORMATION AT HIS OWN DISCRETION. RESULTS OBTAINED OR DAMAGES INCURRED FROM USE OF SUCH INFORMATION IN WHOLE OR IN PART.

SK3791

DATE	REV	REVISION RECORD	APP	DR	CK
4-27-01	NC	ECO 17657	TK	JIG	MEG
1-14-11	A	ECO 32579	TK	MR	TK



NOTES:

1. MATERIAL AND FINISHES:
 INSULATOR: GLASS FILLED DAP PER ASTM-D-5948, SDG-F, UL 94V-0, GREEN COLOR.
 CONTACTS: PRECISION MACHINED COPPER ALLOY, GOLD FLASH OVER NICKEL PLATE.
 SHELLS: STEEL, TIN PLATE.
 JACKSCREW SYSTEMS: STEEL, ZINC PLATE WITH CHROMATE SEAL.
2. DETAILED PRODUCT, ELECTRICAL, AND MECHANICAL INFORMATION IS AVAILABLE IN THE LATEST STANDARD DENSITY D-SUB PRODUCT PUBLICATION. VISIT CONNECTPOSTRONIC.COM/PRODUCTS/45/STANDARDENSITYD-SUBMINATURE OR CONNECTPOSTRONIC.COM.
3. DIMENSIONS ARE IN INCHES [MILLIMETERS].

POSITRONIC INDUSTRIES INC.
www.connectpositronic.com FSC# 28198

DECIMAL TOL.	± 0.015 [0.38]	SCALE	N.T.S.	DRAWN BY	J. GREEN
ANGULAR TOL.	± 5°	HDC SERIES		APPROVED BY	T. KEPLER

DATE	4-27-01	DRAWING NUMBER	SK3791	REV.	A
TITLE	HDC37M200T2X				