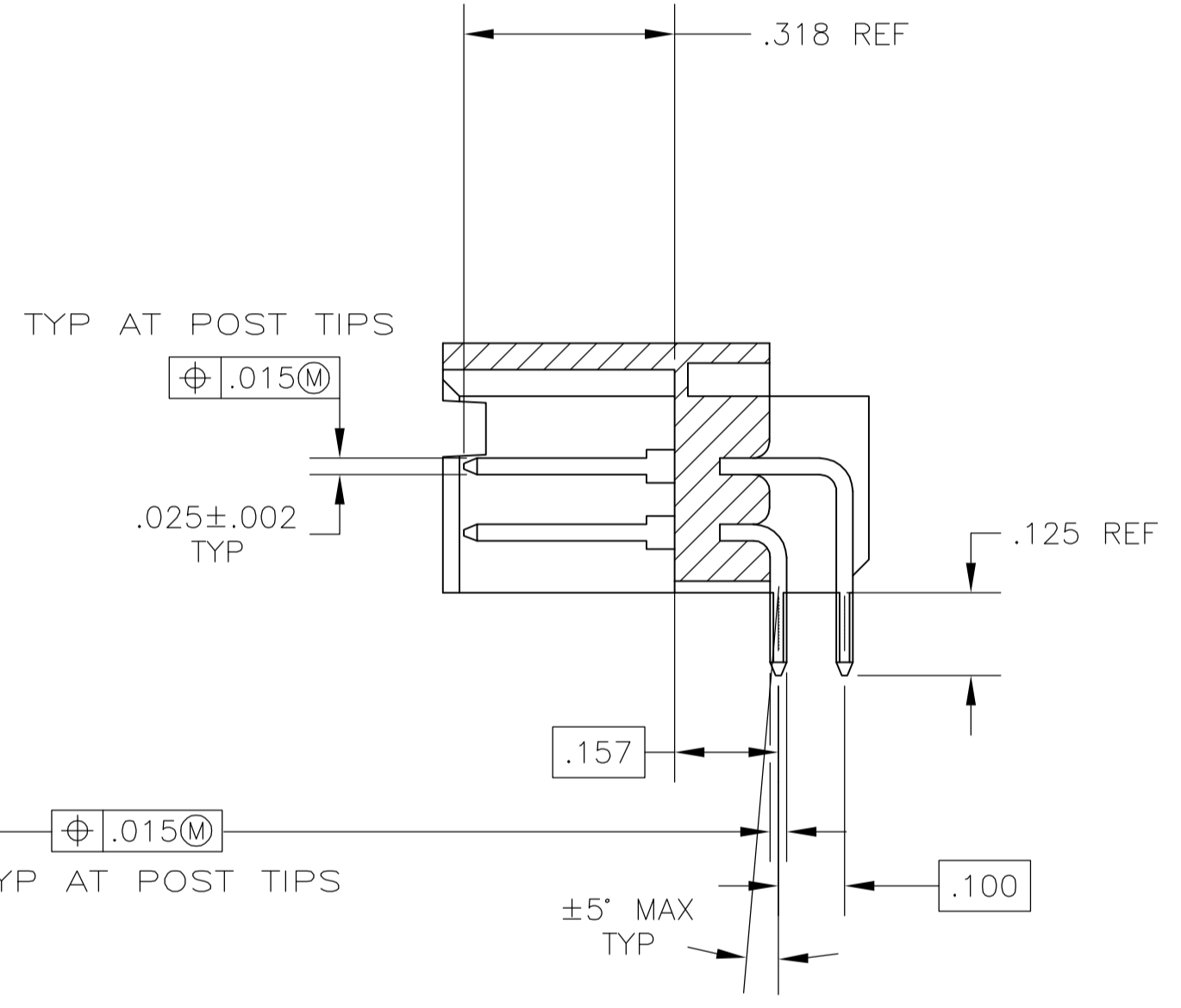
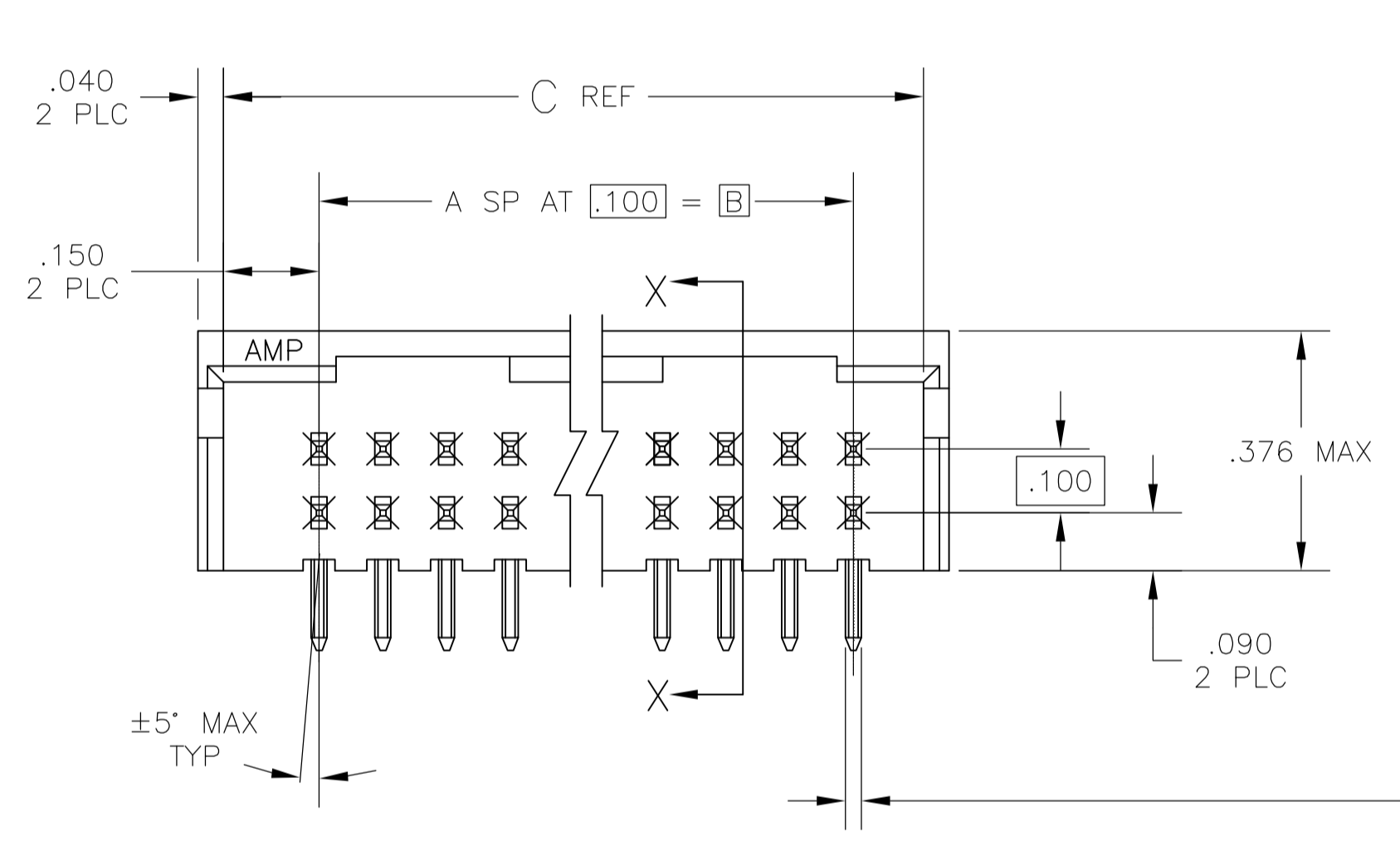


RECOMMENDED HOLE LAYOUT



SECTION X-X

- △ ACCESS SLOT.
- △ CONTACT: .000100-.000200 BRIGHT TIN-LEAD OVER .000050 NICKEL.
- △ CONTACT: .000100-.000200 MATTE TIN OVER .000050 NICKEL.

	△	3.200	2.900	29	60	7-87568-6
	△	2.700	2.400	24	50	7-87568-1
	△	2.200	1.900	19	40	6-87568-6
	△	1.900	1.600	16	34	6-87568-3
	△	1.500	1.200	12	26	5-87568-9
	△	1.200	.900	9	20	5-87568-6
	△	1.100	.800	8	18	5-87568-5
	△	1.000	.700	7	16	5-87568-4
	△	.900	.600	6	14	5-87568-3
	△	.800	.500	5	12	5-87568-2
	△	.700	.400	4	10	5-87568-1
OBSOLETE	△	3.800	3.500	35	72	3-87568-2
OBSOLETE	△	3.700	3.400	34	70	3-87568-1
OBSOLETE	△	3.600	3.300	33	68	3-87568-0
OBSOLETE	△	3.500	3.200	32	66	2-87568-9
OBSOLETE	△	3.400	3.100	31	64	2-87568-8
OBSOLETE	△	3.300	3.000	30	62	2-87568-7
	△	3.200	2.900	29	60	2-87568-6
OBSOLETE	△	3.100	2.800	28	58	2-87568-5
OBSOLETE	△	3.000	2.700	27	56	2-87568-4
OBSOLETE	△	2.900	2.600	26	54	2-87568-3
OBSOLETE	△	2.800	2.500	25	52	2-87568-2
	△	2.700	2.400	24	50	2-87568-1
OBSOLETE	△	2.600	2.300	23	48	2-87568-0
OBSOLETE	△	2.500	2.200	22	46	1-87568-9
OBSOLETE	△	2.400	2.100	21	44	1-87568-8
OBSOLETE	△	2.300	2.000	20	42	1-87568-7
	△	2.200	1.900	19	40	1-87568-6
OBSOLETE	△	2.100	1.800	18	38	1-87568-5
OBSOLETE	△	2.000	1.700	17	36	1-87568-4
	△	1.900	1.600	16	34	1-87568-3
OBSOLETE	△	1.800	1.500	15	32	1-87568-2
OBSOLETE	△	1.700	1.400	14	30	1-87568-1
OBSOLETE	△	1.600	1.300	13	28	1-87568-0
	△	1.500	1.200	12	26	87568-9
OBSOLETE	△	1.400	1.100	11	24	87568-8
OBSOLETE	△	1.300	1.000	10	22	87568-7
	△	1.200	.900	9	20	87568-6
	△	1.100	.800	8	18	87568-5
	△	1.000	.700	7	16	87568-4
	△	.900	.600	6	14	87568-3
	△	.800	.500	5	12	87568-2
	△	.700	.400	4	10	87568-1

PLATING	C	B	A	NO OF POSN	PART NUMBER
---------	---	---	---	------------	-------------

THIS DRAWING IS A CONTROLLED DOCUMENT.

DIMENSIONS: INCHES	TOLERANCES UNLESS OTHERWISE SPECIFIED:	0 PLC ± -	1 PLC ± -	2 PLC ± -	3 PLC ± .005	4 PLC ± -	ANGLES ± -
MATERIAL: HOUSING: FLAME RETARDANT POLYESTER BRONZE POSTS: PHOS BRONZE	FINISH: SEE TABLE	WEIGHT: -	SIZE: A1	CAGE CODE: 00779	DRAWING NO: 87568	RESTRICTED TO: -	

DWG: S.A. SHUEY 11OCT89
 CHK: R. FLICKER 25OCT89
 APVD: R. FLICKER 25OCT89
 Tyco Electronics Corporation
 Harrisburg, Pa 17105-3608
 NAME: HEADER ASSY, MOD II, DBL ROW, .100X.100 C/L, RIGHT ANGLE, (3) SIDED SHROUD
 APPLICATION SPEC: -
 SCALE: 4:1 SHEET 1 OF 1 REV J