

Am28F020A

2 Megabit (262,144 x 8-Bit) CMOS 12.0 Volt, Bulk Erase Flash Memory with Embedded Algorithms

DISTINCTIVE CHARACTERISTICS

- **High performance**
 - Access times as fast as 70 ns
- **CMOS low power consumption**
 - 30 mA maximum active current
 - 100 μ A maximum standby current
 - No data retention power consumption
- **Compatible with JEDEC-standard byte-wide 32-pin EPROM pinouts**
 - 32-pin PDIP
 - 32-pin PLCC
 - 32-pin TSOP
- **100,000 write/erase cycles minimum**
- **Write and erase voltage 12.0 V \pm 5%**
- **Latch-up protected to 100 mA from -1 V to $V_{CC} + 1$ V**
- **Embedded Erase Electrical Bulk Chip Erase**
 - Five seconds typical chip erase, including pre-programming
- **Embedded Program**
 - 14 μ s typical byte program, including time-out
 - 4 seconds typical chip program
- **Command register architecture for microprocessor/microcontroller compatible write interface**
- **On-chip address and data latches**
- **Advanced CMOS flash memory technology**
 - Low cost single transistor memory cell
- **Embedded algorithms for completely self-timed write/erase operations**

GENERAL DESCRIPTION

The Am28F020A is a 2 Megabit Flash memory organized as 256 Kbytes of 8 bits each. AMD's Flash memories offer the most cost-effective and reliable read/write non-volatile random access memory. The Am28F020A is packaged in 32-pin PDIP, PLCC, and TSOP versions. It is designed to be reprogrammed and erased in-system or in standard EPROM programmers. The Am28F020A is erased when shipped from the factory.

The standard Am28F020A offers access times of as fast as 70 ns, allowing high speed microprocessors to operate without wait states. To eliminate bus contention, the device has separate chip enable (\overline{CE}) and output enable (\overline{OE}) controls.

AMD's Flash memories augment EPROM functionality with in-circuit electrical erasure and programming. The Am28F020A uses a command register to manage this functionality. The command register allows for 100% TTL level control inputs and fixed power supply levels during erase and programming, while maintaining maximum EPROM compatibility.

The Am28F020A is compatible with the AMD Am28F256A, Am28F512A, and Am28F010A Flash memories. All devices in the Am28Fxxx family follow

the JEDEC 32-pin pinout standard. In addition, all devices within this family that offer Embedded Algorithms use the same command set. This offers designers the flexibility to retain the same device footprint and command set, at any density between 256Kbits and 2Mbits.

AMD's Flash technology reliably stores memory contents even after 100,000 erase and program cycles. The AMD cell is designed to optimize the erase and programming mechanisms. In addition, the combination of advanced tunnel oxide processing and low internal electric fields for erase and programming operations produces reliable cycling. The Am28F020A uses a $12.0 \pm 5\%$ V_{PP} supply input to perform the erase and programming functions.

The highest degree of latch-up protection is achieved with AMD's proprietary non-epi process. Latch-up protection is provided for stresses up to 100 mA on address and data pins from -1 V to $V_{CC} + 1$ V.

AMD's Flash technology combines years of EPROM and EEPROM experience to produce the highest levels of quality, reliability, and cost effectiveness. The Am28F020A electrically erases all bits simultaneously using Fowler-Nordheim tunneling. The bytes are programmed one byte at a time using the EPROM programming mechanism of hot electron injection.

Embedded Program

The Am28F020A is byte programmable using the Embedded Program algorithm, which does not require the system to time-out or verify the data programmed. The typical room temperature programming time of this device is four seconds.

Embedded Erase

The entire device is bulk erased using the Embedded Erase algorithm, which automatically programs the entire array prior to electrical erase. The timing and verification of electrical erase are controlled internal to the device. Typical erasure time at room temperature is five seconds, including preprogramming.

Comparing Embedded Algorithms with Flasherase and Flashrite Algorithms

	Am28F020A with Embedded Algorithms	Am28F020 using AMD Flashrite and Flasherase Algorithms
Embedded Programming Algorithm vs. Flashrite Programming Algorithm	AMD's Embedded Programming algorithm requires the user to only write a program set-up command and a program command (program data and address). The device automatically times the programming pulse width, verifies the programming, and counts the number of sequences. A status bit, $\overline{\text{Data}}$ Polling, provides the user with the programming operation status.	The Flashrite Programming algorithm requires the user to write a program set-up command, a program command, (program data and address), and a program verify command, followed by a read and compare operation. The user is required to time the programming pulse width in order to issue the program verify command. An integrated stop timer prevents any possibility of overprogramming. Upon completion of this sequence, the data is read back from the device and compared by the user with the data intended to be written; if there is not a match, the sequence is repeated until there is a match or the sequence has been repeated 25 times.
Embedded Erase Algorithm vs. Flasherase Erase Algorithm	AMD's Embedded Erase algorithm requires the user to only write an erase set-up command and erase command. The device automatically pre-programs and verifies the entire array. The device then automatically times the erase pulse width, verifies the erase operation, and counts the number of sequences. A status bit, $\overline{\text{Data}}$ Polling, provides the user with the erase operation status.	The Flasherase Erase algorithm requires the device to be completely programmed prior to executing an erase command. To invoke the erase operation, the user writes an erase set-up command, an erase command, and an erase verify command. The user is required to time the erase pulse width in order to issue the erase verify command. An integrated stop timer prevents any possibility of overerasure. Upon completion of this sequence, the data is read back from the device and compared by the user with erased data. If there is not a match, the sequence is repeated until there is a match or the sequence has been repeated 1,000 times.

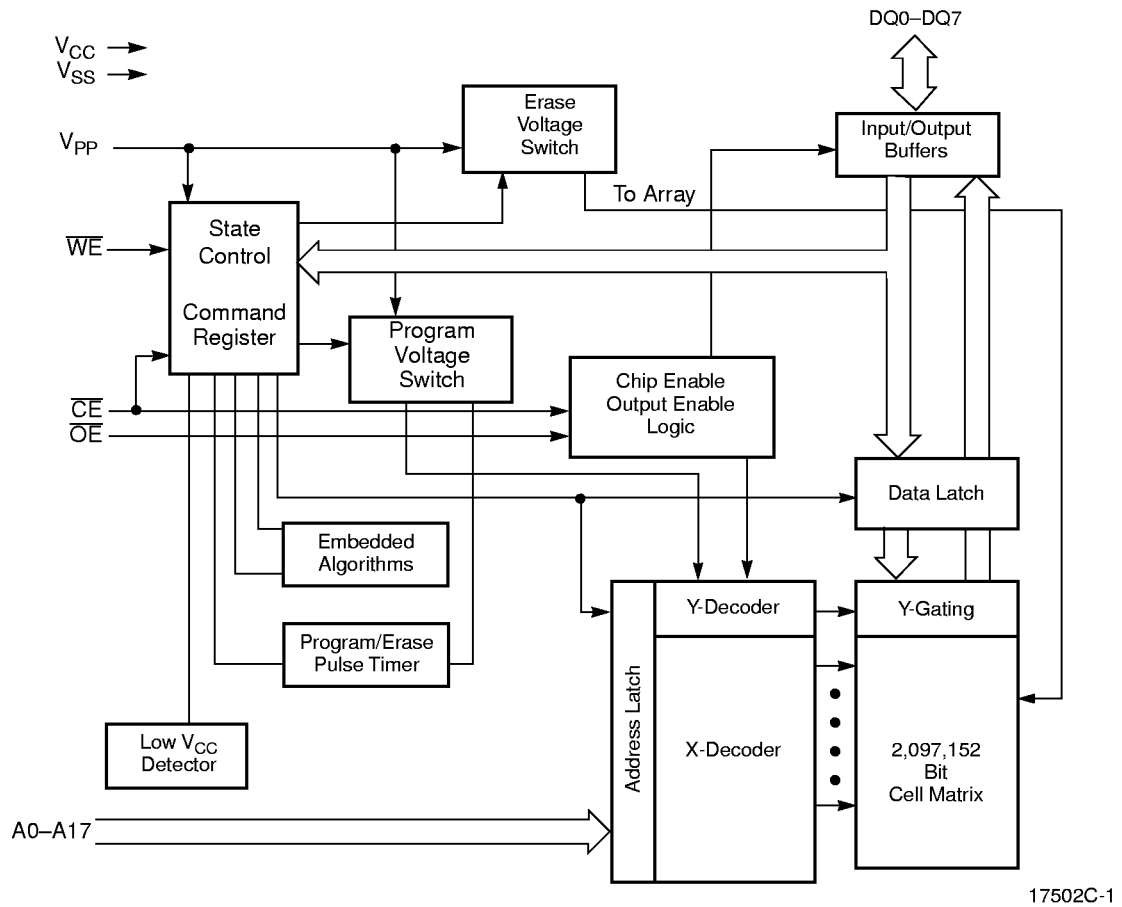
Commands are written to the command register using standard microprocessor write timings. Register contents serve as input to an internal state-machine, which controls the erase and programming circuitry. During write cycles, the command register internally latches addresses and data needed for the programming and erase operations. For system design simplification, the Am28F010A is designed to support

either $\overline{\text{WE}}$ or $\overline{\text{CE}}$ controlled writes. During a system write cycle, addresses are latched on the falling edge of $\overline{\text{WE}}$ or $\overline{\text{CE}}$, whichever occurs last. Data is latched on the rising edge of $\overline{\text{WE}}$ or $\overline{\text{CE}}$, whichever occurs first. To simplify the following discussion, the $\overline{\text{WE}}$ pin is used as the write cycle control pin throughout the rest of this text. All setup and hold times are with respect to the $\overline{\text{WE}}$ signal.

PRODUCT SELECTOR GUIDE

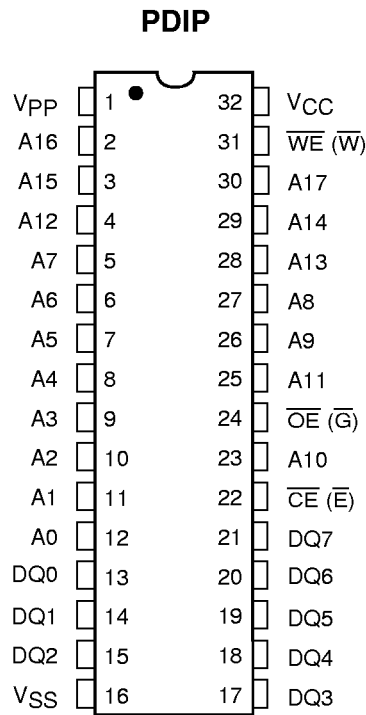
Family Part No:	Am28F020A				
Ordering Part No: $\pm 10\%$ V_{CC} Tolerance	-70	-90	-120	-150	-200
Max Access Time (ns)	70	90	120	150	200
\overline{CE} (\overline{E}) Access (ns)	70	90	120	150	200
\overline{OE} (\overline{G}) Access (ns)	35	35	50	55	55

BLOCK DIAGRAM



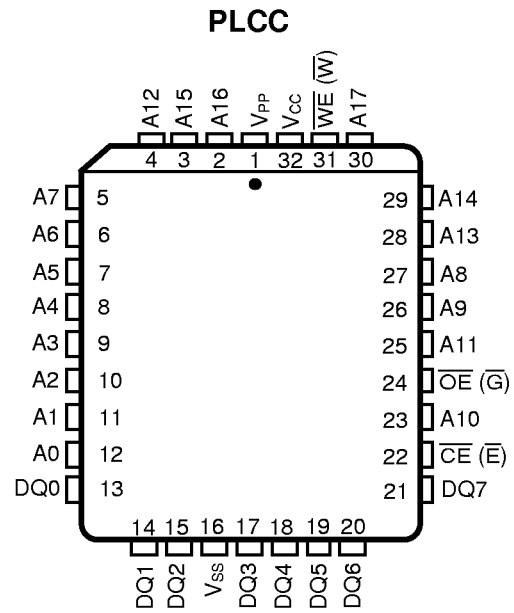
12.0 V Flash

CONNECTION DIAGRAMS



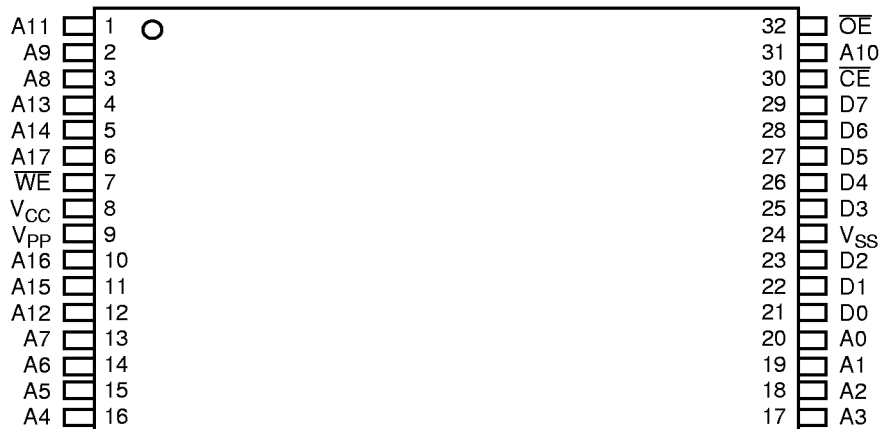
17502C-2

Note: Pin 1 is marked for orientation.

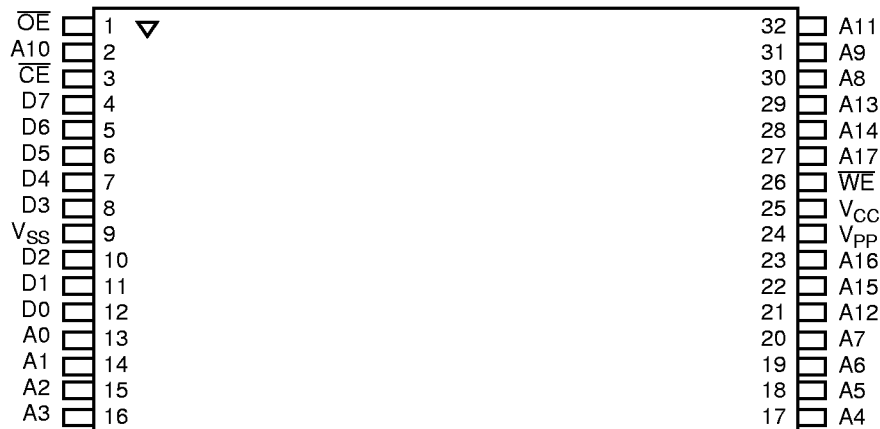


17502C-3

CONNECTION DIAGRAMS (Continued)



32-Pin TSOP—Standard Pinout

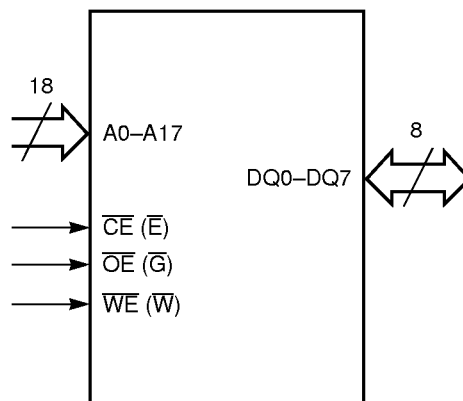


32-Pin TSOP—Reverse Pinout

17502C-4

12.0 V Flash

LOGIC SYMBOL

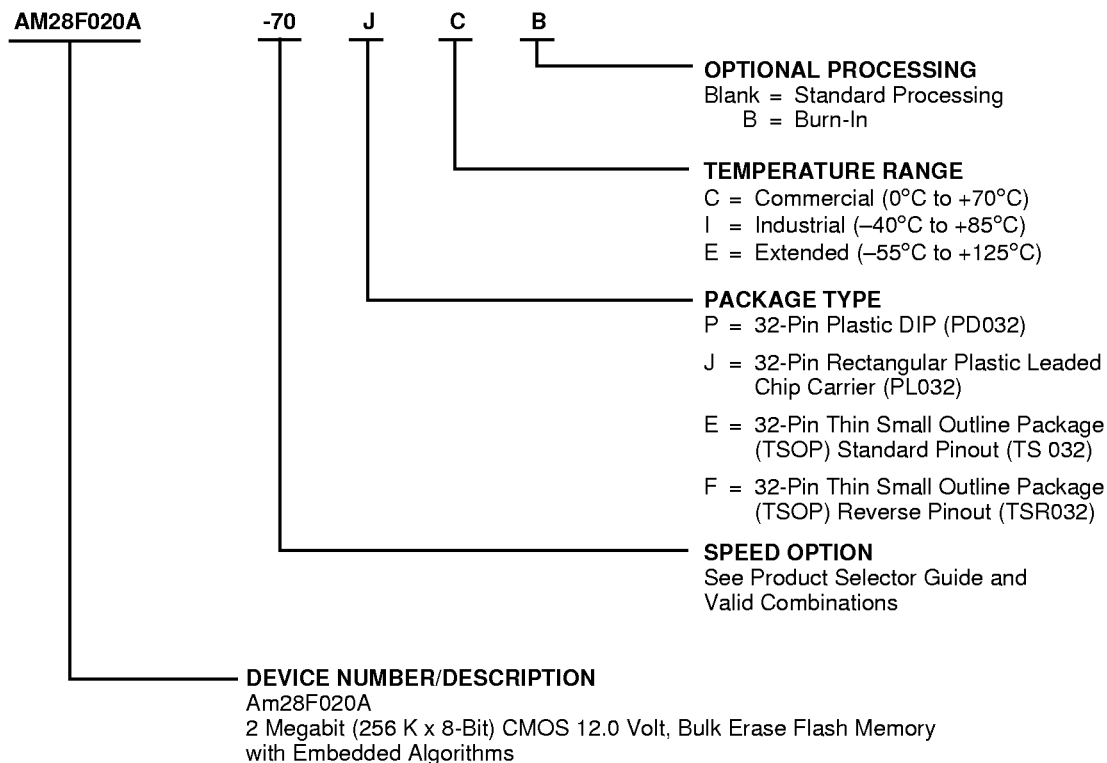


17502C-5

ORDERING INFORMATION

Standard Products

AMD standard products are available in several packages and operating ranges. The ordering number (Valid Combination) is formed by a combination of the following:



Valid Combinations	
AM28F020A-70	PC, PI, PE, PEB, JC, JI, JE, JEB, EC, EI, EE, EEB, FC, FI, FE, FEB
AM28F020A-90	
AM28F020A-120	
AM28F020A-150	
AM28F020A-200	

Valid Combinations

Valid Combinations list configurations planned to be supported in volume for this device. Consult the local AMD sales office to confirm availability of specific valid combinations and to check on newly released combinations.

PIN DESCRIPTION**A0–A17**

Address Inputs for memory locations. Internal latches hold addresses during write cycles.

 $\overline{\text{CE}}$ ($\overline{\text{E}}$)

Chip Enable active low input activates the chip's control logic and input buffers. Chip Enable high will deselect the device and operates the chip in stand-by mode.

DQ0–DQ7

Data Inputs during memory write cycles. Internal latches hold data during write cycles. Data Outputs during memory read cycles.

NC

No Connect-corresponding pin is not connected internally to the die.

 $\overline{\text{OE}}$ ($\overline{\text{G}}$)

Output Enable active low input gates the outputs of the device through the data buffers during memory

read cycles. Output Enable is high during command sequencing and program/erase operations.

 V_{PP}

Program voltage input. V_{PP} must be at high voltage in order to write to the command register. The command register controls all functions required to alter the memory array contents. Memory contents cannot be altered when $V_{\text{PP}} \leq V_{\text{CC}} + 2 \text{ V}$.

 V_{CC}

Power supply for device operation. (5.0 V \pm 5% or 10%)

 V_{SS}

Ground.

 $\overline{\text{WE}}$ ($\overline{\text{W}}$)

Write Enable active low input controls the write function of the command register to the memory array. The target address is latched on the falling edge of the Write Enable pulse and the appropriate data is latched on the rising edge of the pulse. Write Enable high inhibits writing to the device.

BASIC PRINCIPLES

The Am28F020A uses 100% TTL-level control inputs to manage the command register. Erase and reprogramming operations use a fixed $12.0V \pm 5\%$ power supply.

Read Only Memory

Without high V_{PP} voltage, the Am28F020A functions as a read only memory and operates like a standard EPROM. The control inputs still manage traditional read, standby, output disable, and Auto select modes.

Command Register

The command register is enabled only when high voltage is applied to the V_{PP} pin. The erase and reprogramming operations are only accessed via the register. In addition, two-cycle commands are required for erase and reprogramming operations. The traditional read, standby, output disable, and Auto select modes are available via the register.

The Am28F020A's command register is written using standard microprocessor write timings. The register controls an internal state machine that manages all device operations. For system design simplification, the Am28F020A is designed to support either \overline{WE} or \overline{CE} controlled writes. During a system write cycle, addresses are latched on the falling edge of \overline{WE} or \overline{CE} whichever occurs last. Data is latched on the rising edge of \overline{WE} or \overline{CE} whichever occur first. To simplify the following discussion, the \overline{WE} pin is used as the write cycle control pin throughout the rest of this text. All setup and hold times are with respect to the \overline{WE} signal.

Overview of Erase/Program Operations

Embedded Erase Algorithm

AMD now makes erasure extremely simple and reliable. The Embedded Erase algorithm requires the user to only write and erase set-up command and erase command. The device will automatically pre-program and verify the entire array. The device automatically times the erase pulse width, provides the erase verify and counts the number of sequences. A status bit, \overline{Data} Polling, provides feedback to the user as to the status of the erase operation.

Embedded Programming Algorithm

AMD now makes programming extremely simple and reliable. The Embedded Programming algorithm requires the user to only write a program set-up command and a program command. The device automatically times the programming pulse width, provides the program verify and counts the number of sequences. A status bit, \overline{Data} Polling, provides feedback to the user as to the status of the programming operation.

Data Protection

The Am28F020A is designed to offer protection against accidental erasure or programming caused by spurious system level signals that may exist during power transitions. The Am28F020A powers up in its read only state. Also, with its control register architecture, alteration of the memory contents only occurs after successful completion of specific command sequences.

The device also incorporates several features to prevent inadvertent write cycles resulting from V_{CC} power-up and power-down transitions or system noise.

Low V_{CC} Write Inhibit

To avoid initiation of a write cycle during V_{CC} power-up and power-down, the Am28F020A locks out write cycles for $V_{CC} < V_{LKO}$ (see DC Characteristics section for voltages). When $V_{CC} < V_{LKO}$, the command register is disabled, all internal program/erase circuits are disabled, and the device resets to the read mode. The Am28F020A ignores all writes until $V_{CC} > V_{LKO}$. The user must ensure that the control pins are in the correct logic state when $V_{CC} > V_{LKO}$ to prevent unintentional writes.

Write Pulse “Glitch” Protection

Noise pulses of less than 10 ns (typical) on \overline{OE} , \overline{CE} or \overline{WE} will not initiate a write cycle.

Logical Inhibit

Writing is inhibited by holding any one of $\overline{OE} = V_{IL}$, $\overline{CE} = V_{IH}$ or $\overline{WE} = V_{IH}$. To initiate a write cycle \overline{CE} and \overline{WE} must be a logical zero while \overline{OE} is a logical one.

Power-Up Write Inhibit

Power-up of the device with $\overline{WE} = \overline{CE} = V_{IL}$ and $\overline{OE} = V_{IH}$ will not accept commands on the rising edge of \overline{WE} . The internal state machine is automatically reset to the read mode on power-up.

FUNCTIONAL DESCRIPTION

Description of User Modes

Table 1. Am28F020A User Bus Operations (Notes 7 and 8)

Operation		\overline{CE} (\overline{E})	\overline{OE} (\overline{G})	\overline{WE} (\overline{W})	V_{PP} (Note 1)	A0	A9	I/O
Read-Only	Read	V_{IL}	V_{IL}	X	V_{PPL}	A0	A9	D_{OUT}
	Standby	V_{IH}	X	X	V_{PPL}	X	X	HIGH Z
	Output Disable	V_{IL}	V_{IH}	V_{IH}	V_{PPL}	X	X	HIGH Z
	Auto-select Manufacturer Code (Note 2)	V_{IL}	V_{IL}	V_{IH}	V_{PPL}	V_{IL}	V_{ID} (Note 3)	CODE (01H)
	Auto-select Device Code (Note 2)	V_{IL}	V_{IL}	V_{IH}	V_{PPL}	V_{IH}	V_{ID} (Note 3)	CODE (29H)
Read/Write	Read	V_{IL}	V_{IL}	V_{IH}	V_{PPH}	A0	A9	D_{OUT} (Note 4)
	Standby (Note 5)	V_{IH}	X	X	V_{PPH}	X	X	HIGH Z
	Output Disable	V_{IL}	V_{IH}	V_{IH}	V_{PPH}	X	X	HIGH Z
	Write	V_{IL}	V_{IH}	V_{IL}	V_{PPH}	A0	A9	D_{IN} (Note 6)

Legend:

X = Don't care, where Don't Care is either V_{IL} or V_{IH} levels. $V_{PPL} = V_{PP} \leq V_{CC} + 2$ V. See DC Characteristics for voltage levels of V_{PPH} . 0 V < A_n < $V_{CC} + 2$ V, (normal TTL or CMOS input levels, where n = 0 or 9).

Notes:

- V_{PPL} may be grounded, connected with a resistor to ground, or < $V_{CC} + 2.0$ V. V_{PPH} is the programming voltage specified for the device. Refer to the DC characteristics. When $V_{PP} = V_{PPL}$, memory contents can be read but not written or erased.
- Manufacturer and device codes may also be accessed via a command register write sequence. Refer to Table 2.
- $11.5 \leq V_{ID} \leq 13.0$ V. Minimum V_{ID} rise time and fall time (between 0 and V_{ID} voltages) is 500 ns.
- Read operation with $V_{PP} = V_{PPH}$ may access array data or the Auto select codes.
- With V_{PP} at high voltage, the standby current is $I_{CC} + I_{PP}$ (standby).
- Refer to Table 3 for valid D_{IN} during a write operation.
- All inputs are Don't Care unless otherwise stated, where Don't Care is either V_{IL} or V_{IH} levels. In the Auto select mode all addresses except A9 and A0 must be held at V_{IL} .
- If $V_{CC} \leq 1.0$ Volt, the voltage difference between V_{PP} and V_{CC} should not exceed 10.0 Volts. Also, the Am28F020A has a V_{PP} rise time and fall time specification of 500 ns minimum.

READ ONLY MODE

$V_{PP} < V_{CC} + 2 V$

Command Register Inactive

Read

The Am28F020A functions as a read only memory when $V_{PP} < V_{CC} + 2 V$. The Am28F020A has two control functions. Both must be satisfied in order to output data. \overline{CE} controls power to the device. This pin should be used for specific device selection. \overline{OE} controls the device outputs and should be used to gate data to the output pins if a device is selected.

Address access time t_{ACC} is equal to the delay from stable addresses to valid output data. The chip enable access time t_{CE} is the delay from stable addresses and stable \overline{CE} to valid data at the output pins. The output enable access time is the delay from the falling edge of \overline{OE} to valid data at the output pins (assuming the addresses have been stable at least $t_{ACC} - t_{OE}$).

Standby Mode

The Am28F020A has two standby modes. The CMOS standby mode (\overline{CE} input held at $V_{CC} \pm 0.5 V$), consumes less than 100 μA of current. TTL standby mode (\overline{CE} is held at V_{IH}) reduces the current requirements to less than 1 mA. When in the standby mode the outputs are in a high impedance state, independent of the \overline{OE} input.

If the device is deselected during erasure, programming, or program/erase verification, the device will draw active current until the operation is terminated.

Output Disable

Output from the device is disabled when \overline{OE} is at a logic high level. When disabled, output pins are in a high impedance state.

Auto Select

Flash memories can be programmed in-system or in a standard PROM programmer. The device may be soldered to the circuit board upon receipt of shipment and programmed in-system. Alternatively, the device may initially be programmed in a PROM programmer prior to soldering the device to the board.

The Auto select mode allows the reading out of a binary code from the device that will identify its manufacturer and type. This mode is intended for the purpose of automatically matching the device to be programmed with its corresponding programming algorithm. This mode is functional over the entire temperature range of the device.

Programming In A PROM Programmer

To activate this mode, the programming equipment must force V_{ID} (11.5 V to 13.0 V) on address A9. Two identifier bytes may then be sequenced from the device outputs by toggling address A0 from V_{IL} to V_{IH} . All other address lines must be held at V_{IL} , and V_{PP} must be less than or equal to $V_{CC} + 2.0 V$ while using this Auto select mode. Byte 0 ($A0 = V_{IL}$) represents the manufacturer code and byte 1 ($A0 = V_{IH}$) the device identifier code. For the Am28F020A these two bytes are given in the table below. All identifiers for manufacturer and device codes will exhibit odd parity with the MSB (DQ7) defined as the parity bit.

(Refer to the AUTO SELECT paragraph in the ERASE, PROGRAM, and READ MODE section for programming the Flash memory device in-system).

Table 2. Am28F020A Auto Select Code

Type	A0	Code (HEX)	DQ7	DQ6	DQ5	DQ4	DQ3	DQ2	DQ1	DQ0
Manufacturer Code	V_{IL}	01	0	0	0	0	0	0	0	1
Device Code	V_{IH}	29	0	0	1	0	1	0	0	1

ERASE, PROGRAM, AND READ MODE

$V_{PP} = 12.0\text{ V} \pm 5\%$

Command Register Active

Write Operations

High voltage must be applied to the V_{PP} pin in order to activate the command register. Data written to the register serves as input to the internal state machine. The output of the state machine determines the operational function of the device.

The command register does not occupy an addressable memory location. The register is a latch that stores the command, along with the address and data information needed to execute the command. The register is written by bringing \overline{WE} and \overline{CE} to V_{IL} , while \overline{OE} is at V_{IH} . Addresses are latched on the falling edge of \overline{WE} , while data is latched on the rising edge of the \overline{WE} pulse. Standard microprocessor write timings are used.

The device requires the \overline{OE} pin to be V_{IH} for write operations. This condition eliminates the possibility for bus contention during programming operations. In order to write, \overline{OE} must be V_{IH} , and \overline{CE} and \overline{WE} must be V_{IL} . If any pin is not in the correct state a write command will not be executed.

Refer to AC Write Characteristics and the Erase/Programming Waveforms for specific timing parameters.

Command Definitions

The contents of the command register default to 00H (Read Mode) in the absence of high voltage applied to the V_{PP} pin. The device operates as a read only memory. High voltage on the V_{PP} pin enables the command register. Device operations are selected by writing specific data codes into the command register. 3 defines these register commands.

Read Command

When V_{PP} is high, memory contents can be accessed via the read command. To read from the device, write 00H into the command register. Standard microprocessor read cycles access data from the memory. The device will remain in the read mode until the command register contents are altered.

The command register defaults to 00H (read mode) upon V_{PP} power-up. The 00H (Read Mode) register default helps ensure that inadvertent alteration of the memory contents does not occur during the V_{PP} power transition. Refer to the AC Read Characteristics and Waveforms for the specific timing parameters.

Table 3. Am28F020A Command Definitions

Command	First Bus Cycle			Second Bus Cycle		
	Operation (Note 1)	Address (Note 2)	Data (Note 3)	Operation (Note 1)	Address (Note 2)	Data (Note 3)
Read Memory (Note 4)	Write	X	00H/FFH	Read	RA	RD
Read Autoselect	Write	X	80H or 90H	Read	00H/01H	01H/29H
Embedded Erase Set-up/ Embedded Erase	Write	X	30H	Write	X	30H
Embedded Program Set-up/ Embedded Program	Write	X	10H or 50H	Write	PA	PD
Reset (Note 4)	Write	X	00H/FFH	Write	X	00H/FFH

Notes:

1. Bus operations are defined in Table 1.
2. RA = Address of the memory location to be read.
PA = Address of the memory location to be programmed. Addresses are latched on the falling edge of the \overline{WE} pulse.
X = Don't care.
3. RD = Data read from location RA during read operation.
PD = Data to be programmed at location PA. Data latched on the rising edge of \overline{WE} .
4. Please reference Reset Command section.

FLASH MEMORY PROGRAM/ERASE OPERATIONS

AMD's Embedded Program and Erase Operations

Embedded Erase Algorithm

The automatic chip erase does not require the device to be entirely pre-programmed prior to executing the Embedded set-up erase command and Embedded erase command. Upon executing the Embedded erase command the device automatically will program and verify the entire memory for an all zero data pattern. The system is not required to provide any controls or timing during these operations.

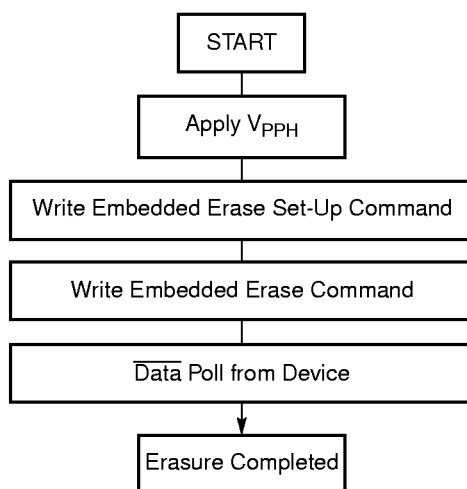
When the device is automatically verified to contain an all zero pattern, a self-timed chip erase and verify begin. The erase and verify operation are complete when the data on DQ7 is "1" (see Write Operation Status section) at which time the device returns to Read mode. The system is not required to provide any control or timing during these operations.

When using the Embedded Erase algorithm, the erase automatically terminates when adequate erase margin has been achieved for the memory array (no erase verify command is required). The margin voltages are internally generated in the same manner as when the standard erase verify command is used.

The Embedded Erase Set-up command is a command only operation that stages the device for automatic electrical erasure of all bytes in the array. Embedded Erase Set-up is performed by writing 30H to the command register.

To commence automatic chip erase, the command 30H must be written again to the command register. The automatic erase begins on the rising edge of the \overline{WE} and terminates when the data on DQ7 is "1" (see Write Operation Status section) at which time the device returns to Read mode.

Figure 1 and Table 4 illustrate the Embedded Erase algorithm, a typical command string and bus operation.



17502C-6

Figure 1. Embedded Erase Algorithm

Table 4. Embedded Erase Algorithm

Bus Operations	Command	Comments
Standby		Wait for V_{PP} Ramp to V_{PPH} (1)
Write	Embedded Erase Set-Up Command	Data = 30H
Write	Embedded Erase Command	Data = 30H
Read		Data Polling to Verify Erasure
Standby		Compare Output to FFH
Read		Available for Read Operations

Notes:

1. See AC and DC Characteristics for values of V_{PP} parameters. The V_{PP} power supply can be hard-wired to the device or switchable. When V_{PP} is switched, V_{PPL} may be ground, no connect with a resistor tied to ground, or less than $V_{CC} + 2.0$ V. Refer to Functional Description.

Embedded Programming Algorithm

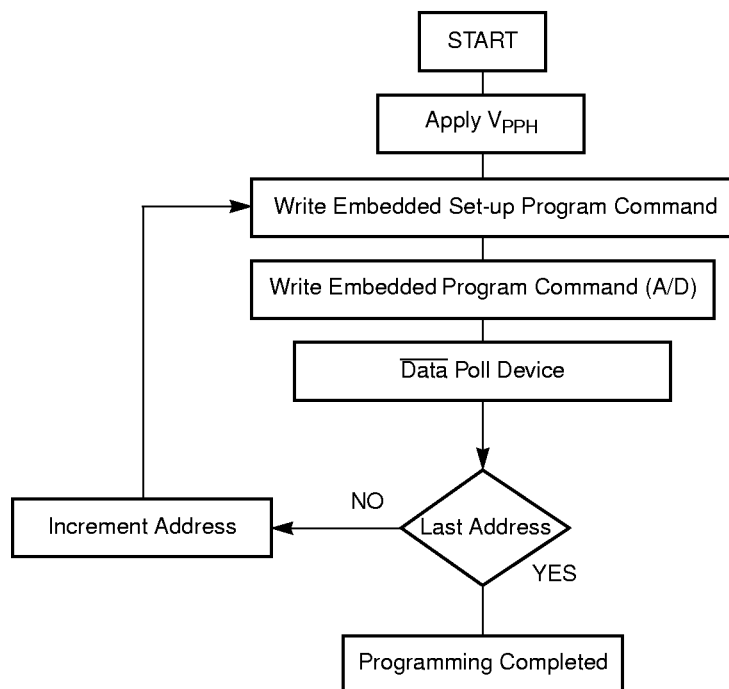
The Embedded Program Set-up is a command only operation that stages the device for automatic programming. Embedded Program Set-up is performed by writing 10H or 50H to the command register.

Once the Embedded Set-up Program operation is performed, the next \overline{WE} pulse causes a transition to an active programming operation. Addresses are latched on the falling edge of \overline{CE} or \overline{WE} pulse, whichever happens later. Data is latched on the rising edge of \overline{WE} or \overline{CE} , whichever happens first. The rising edge of \overline{WE} also

begins the programming operation. The system is not required to provide further controls or timings. The device will automatically provide an adequate internally generated program pulse and verify margin. The automatic programming operation is completed when the data on DQ7 is equivalent to data written to this bit (see Write Operation Status section) at which time the device returns to Read mode.

Figure 2 and Table 5 illustrate the Embedded Program algorithm, a typical command string, and bus operation.

12.0 V Flash



17502C-7

Figure 2. Embedded Programming Algorithm

Table 5. Embedded Programming Algorithm

Bus Operations	Command	Comments
Standby		Wait for V_{PP} Ramp to V_{PPH} (1)
Write	Embedded Program Set-Up Command	Data = 10H or 50H
Write	Embedded Program Command	Valid Address/Data
Read		$\overline{\text{Data}}$ Polling to Verify Completion
Read		Available for Read Operations

Notes:

1. See AC and DC Characteristics for values of V_{PP} parameters. The V_{PP} power supply can be hard-wired to the device or switchable. When V_{PP} is switched, V_{PPL} may be ground, no connect with a resistor tied to ground, or less than $V_{CC} + 2.0$ V. Refer to Functional Description. Device is either powered-down, erase inhibit or program inhibit.

Write Operation Status

Data Polling—DQ7

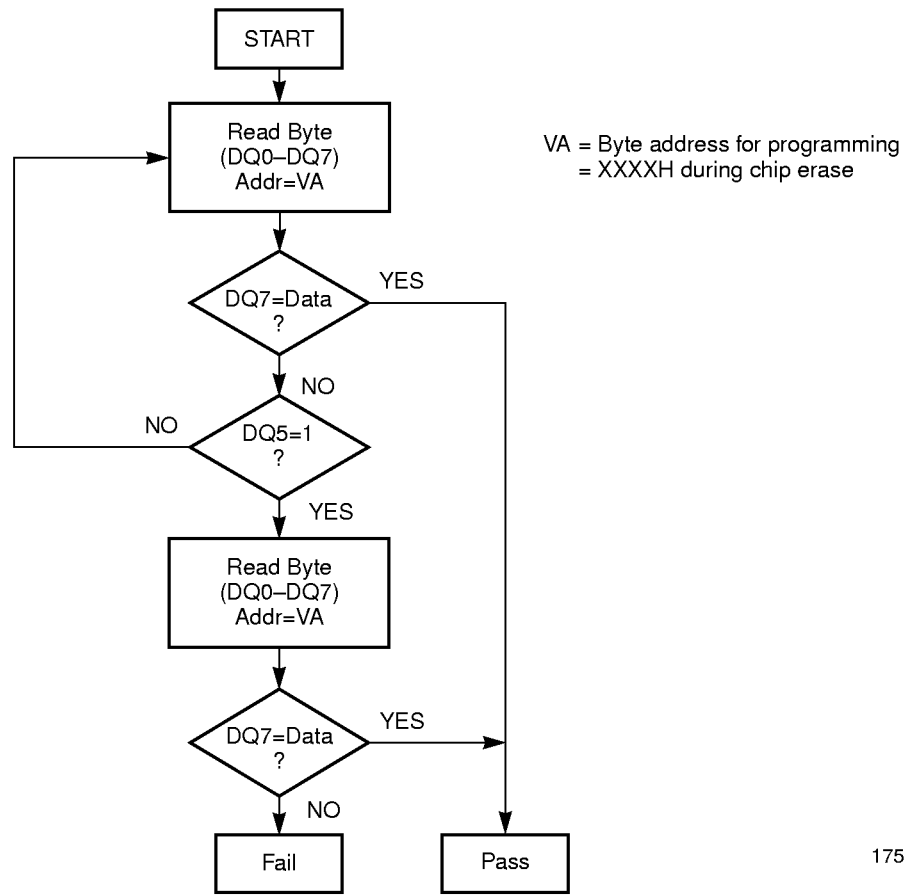
The Am28F020A features $\overline{\text{Data}}$ Polling as a method to indicate to the host system that the Embedded algorithms are either in progress or completed.

While the Embedded Programming algorithm is in operation, an attempt to read the device at a valid address will produce the complement of expected Valid data on DQ7. Upon completion of the Embedded Program algorithm an attempt to read the device at a valid address will produce Valid data on DQ7. The $\overline{\text{Data}}$ Polling feature is valid after the rising edge of the second $\overline{\text{WE}}$ pulse of the two write pulse sequence.

While the Embedded Erase algorithm is in operation, DQ7 will read “0” until the erase operation is completed. Upon completion of the erase operation, the data on DQ7 will read “1”. The $\overline{\text{Data}}$ Polling feature is valid after the rising edge of the second $\overline{\text{WE}}$ pulse of the two Write pulse sequence.

The $\overline{\text{Data}}$ Polling feature is only active during Embedded Programming or erase algorithms.

See Figure 3 and 5 for the $\overline{\text{Data}}$ Polling timing specifications and diagrams. $\overline{\text{Data}}$ Polling is the standard method to check the write operation status, however, an alternative method is available using Toggle Bit.



17502C-8

12.0 VFlash

Note:

1. DQ7 is rechecked even if DQ5="1" because DQ7 may change simultaneously with DQ5 or after DQ5.

Figure 3. Data Polling Algorithm

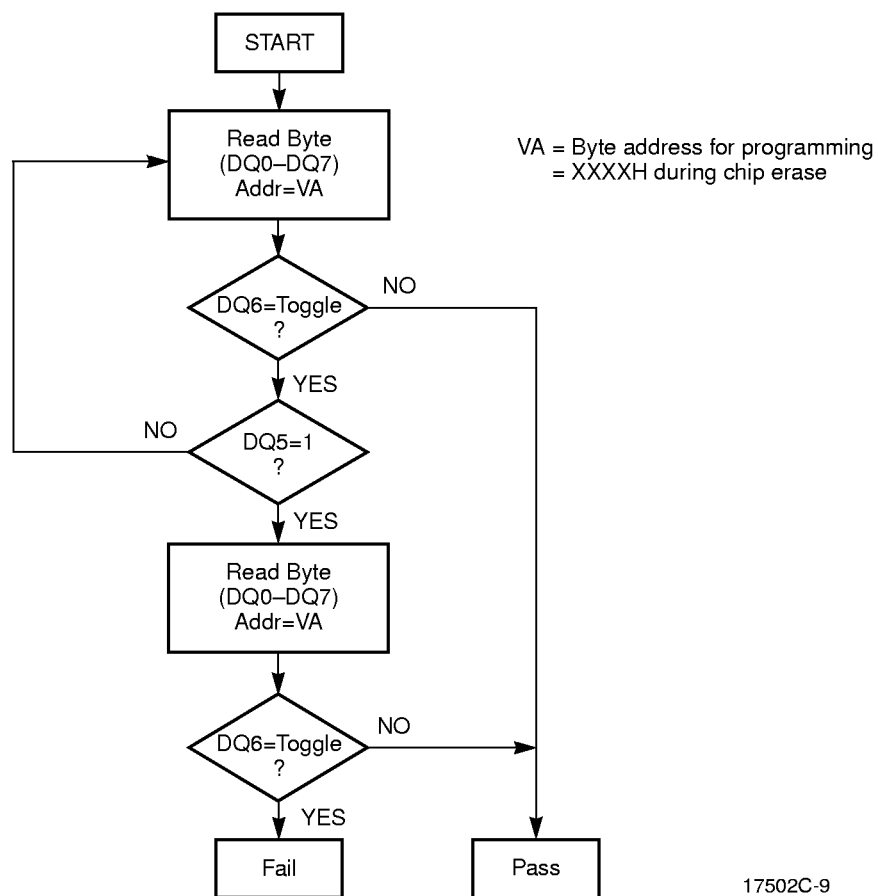
Toggle Bit—DQ6

The Am28F020A also features a “Toggle Bit” as a method to indicate to the host system that the Embedded algorithms are either in progress or completed.

Successive attempts to read data from the device at a valid address, while the Embedded Program algorithm is in progress, or at any address while the Embedded Erase algorithm is in progress, will result in DQ6 toggling between one and zero. Once the Embedded Program or Erase algorithm is completed,

DQ6 will stop toggling to indicate the completion of either Embedded operation. Only on the next read cycle will valid data be obtained. The toggle bit is valid after the rising edge of the first \overline{WE} pulse of the two write pulse sequence, unlike \overline{Data} Polling which is valid after the rising edge of the second \overline{WE} pulse. This feature allows the user to determine if the device is partially through the two write pulse sequence.

See Figures 4 and 6 for the Toggle Bit timing specifications and diagrams.

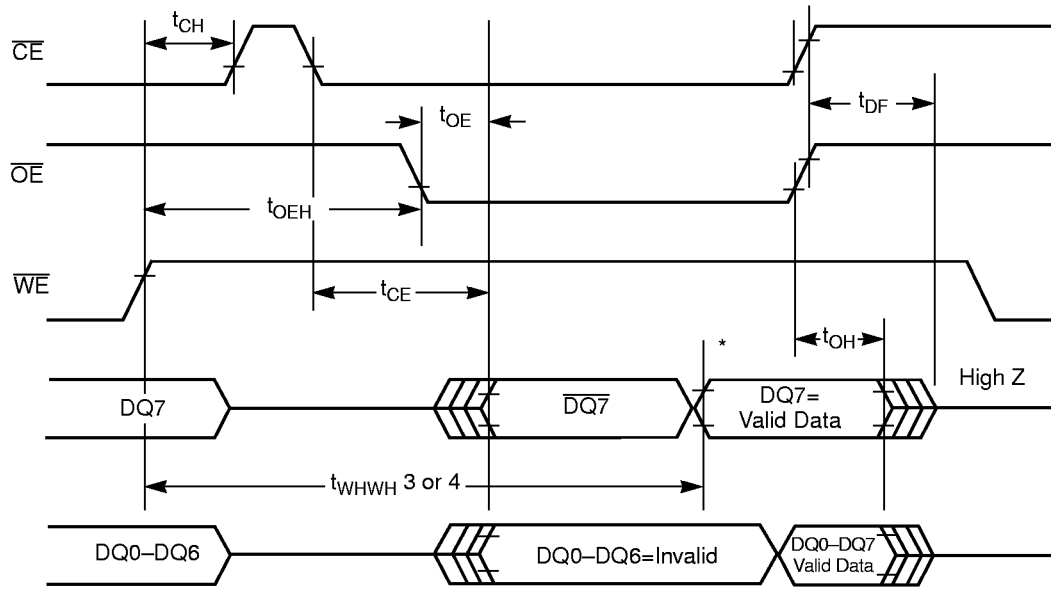


17502C-9

Note:

1. DQ6 is rechecked even if DQ5="1" because DQ6 may stop toggling at the same time as DQ5 changing to "1".

Figure 4. Toggle Bit Algorithm



17502C-10

Note:
 *DQ7=Valid Data (The device has completed the Embedded operation).

Figure 5. AC Waveforms for Data Polling During Embedded Algorithm Operations

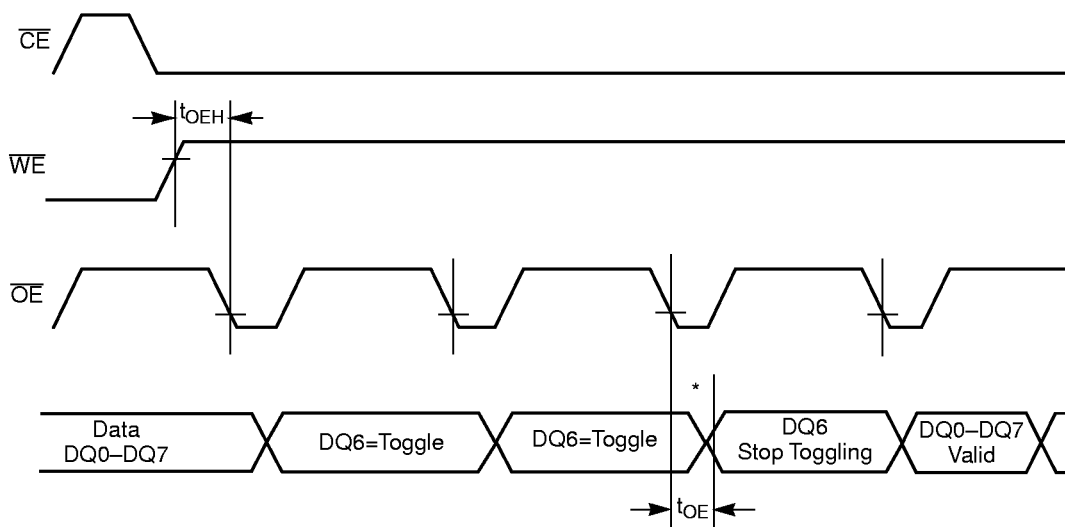
12.0 V Flash

DQ5

Exceeded Timing Limits

DQ5 will indicate if the program or erase time has exceeded the specified limits. This is a failure condition and the device may not be used again (internal pulse count exceeded). Under these conditions DQ5 will

produce a "1". The program or erase cycle was not successfully completed. Data Polling is the only operating function of the device under this condition. The \overline{CE} circuit will partially power down the device under these conditions (to approximately 2 mA). The \overline{OE} and \overline{WE} pins will control the output disable functions as described in Table 1.



Note:

*DQ6 stops toggling (The device has completed the Embedded operation).

17502C-11

Figure 6. AC Waveforms for Toggle Bit During Embedded Algorithm Operations

Parallel Device Erasure

The Embedded Erase algorithm greatly simplifies parallel device erasure. Since the erase process is internal to the device, a single erase command can be given to multiple devices concurrently. By implementing a parallel erase algorithm, total erase time may be minimized.

Note that the Flash memories may erase at different rates. If this is the case, when a device is completely erased, use a masking code to prevent further erasure (over-erasure). The other devices will continue to erase until verified. The masking code applied could be the read command (00H).

Power-Up/Power-Down Sequence

The Am28F020A powers-up in the Read only mode. Power supply sequencing is not required. Note that if $V_{CC} \leq 1.0$ Volt, the voltage difference between V_{PP} and V_{CC} should not exceed 10.0 Volts. Also, the Am28F020A has a V_{PP} rise and fall time specification of 500 ns minimum.

Reset Command

The Reset command initializes the Flash memory device to the Read mode. In addition, it also provides the user with a safe method to abort any device operation (including program or erase).

The Reset must be written two consecutive times after the Set-up Program command (10H or 50H). This will reset the device to the Read mode.

Following any other Flash command, write the Reset command once to the device. This will safely abort any previous operation and initialize the device to the Read mode.

The Set-up Program command (10H or 50H) is the only command that requires a two-sequence reset cycle. The first Reset command is interpreted as program data. However, FFH data is considered as null data during programming operations (memory cells are only programmed from a logical "1" to "0"). The second Reset command safely aborts the programming operation and resets the device to the Read mode.

Memory contents are not altered in any case.

This detailed information is for your reference. It may prove easier to always issue The Reset command two consecutive times. This eliminates the need to determine if you are in the Set-up Program state or not.

In-System Programming Considerations

Flash memories can be programmed in-system or in a standard PROM programmer. The device may be soldered to the circuit board upon receipt of shipment and programmed in-system. Alternatively, the device may initially be programmed in a PROM programmer prior to soldering the device to the circuit board.

Auto Select Command

AMD's Flash memories are designed for use in applications where the local CPU alters memory contents. In order to correctly program any Flash memories

in-system, manufacturer and device codes must be accessible while the device resides in the target system. PROM programmers typically access the signature codes by raising A9 to a high voltage. However, multiplexing high voltage onto address lines is not a generally desired system design practice.

The Am28F020A contains an Auto Select operation to supplement traditional PROM programming methodologies. The operation is initiated by writing 80H or 90H into the command register. Following this command, a read cycle address 0000H retrieves the manufacturer code of 01H (AMD). A read cycle from address 0001H returns the device code 29H (see Table 2). To terminate the operation, it is necessary to write another valid command, such as Reset (00H or FFH), into the register.

ABSOLUTE MAXIMUM RATINGS

Storage Temperature -65°C to +125°C
 Ambient Temperature
 with Power Applied. -55°C to +125°C
 Voltage with Respect to Ground
 All pins except A9 and V_{PP} (Note 1). . -2.0 V to +7.0 V
 V_{CC} (Note 1). -2.0 V to +7.0 V
 A9, V_{PP} (Note 2). -2.0 V to +14.0 V
 Output Short Circuit Current (Note 3) 200 mA

Notes:

1. *Minimum DC voltage on input or I/O pins is -0.5 V. During voltage transitions, input or I/O pins may overshoot V_{SS} to -2.0 V for periods of up to 20 ns. Maximum DC voltage on input or I/O pins is V_{CC} +0.5 V. During voltage transitions, input or I/O pins may overshoot to V_{CC} +2.0 V for periods up to 20 ns.*
2. *Minimum DC input voltage on pins A9 and V_{PP} is -0.5 V. During voltage transitions, A9 and V_{PP} may overshoot V_{SS} to -2.0 V for periods of up to 20 ns. Maximum DC input voltage on pin A9 and V_{PP} is +13.0 V, which may overshoot to 14.0 V for periods up to 20 ns.*
3. *No more than one output may be shorted to ground at a time. Duration of the short circuit should not be greater than one second.*
4. *Stresses above those listed under "Absolute Maximum Ratings" may cause permanent damage to the device. This is a stress rating only; functional operation of the device at these or any other conditions above those indicated in the operational sections of this data sheet is not implied. Exposure of the device to absolute maximum rating conditions for extended periods may affect device reliability.*

OPERATING RANGES

Commercial (C) Devices

Ambient Temperature (T_A). 0°C to +70°C

Industrial (I) Devices

Ambient Temperature (T_A). -40°C to +85°C

Extended (E) Devices

Ambient Temperature (T_A). -55°C to +125°C

V_{CC} Supply Voltages

V_{CC} for Am28F020A-70, -90,
 -120, -150, -200 +4.50 V to +5.50 V

V_{PP} Voltages

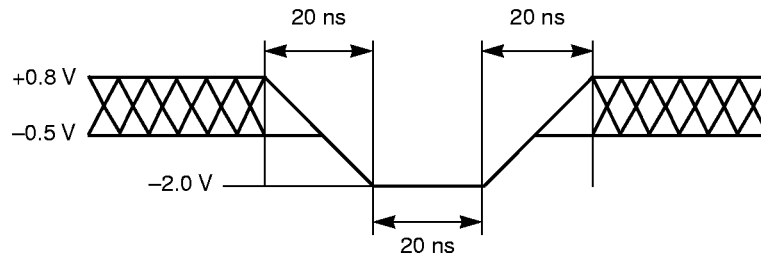
Read -0.5 V to +12.6 V

Program, Erase, and Verify +11.4 V to +12.6 V

Operating ranges define those limits between which the functionality of the device is guaranteed.

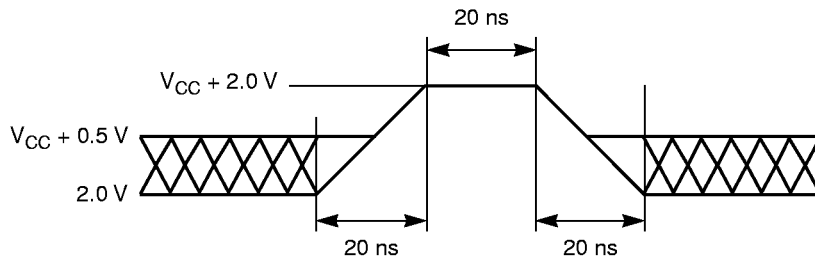
MAXIMUM OVERSHOOT

Maximum Negative Input Overshoot



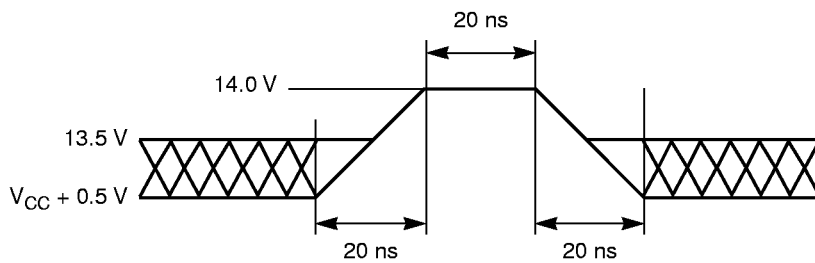
17502C-12

Maximum Positive Input Overshoot



17502C-13

Maximum V_{PP} Overshoot



17502C-14

12.0 V Flash

DC CHARACTERISTICS over operating range unless otherwise specified (Notes 1–4)

DC CHARACTERISTICS-TTL/NMOS COMPATIBLE

Parameter Symbol	Parameter Description	Test Conditions	Min	Typ	Max	Unit
I_{LI}	Input Leakage Current	$V_{CC} = V_{CC} \text{ Max}$, $V_{IN} = V_{CC} \text{ or } V_{SS}$			± 1.0	μA
I_{LO}	Output Leakage Current	$V_{CC} = V_{CC} \text{ Max}$, $V_{OUT} = V_{CC} \text{ or } V_{SS}$			± 1.0	μA
I_{CCS}	V_{CC} Standby Current	$V_{CC} = V_{CC} \text{ Max}$ $\overline{CE} = V_{IH}$		0.2	1.0	mA
I_{CC1}	V_{CC} Active Read Current	$V_{CC} = V_{CC} \text{ Max}$, $\overline{CE} = V_{IL}$, $\overline{OE} = V_{IH}$ $I_{OUT} = 0 \text{ mA}$, at 6 MHz		20	30	mA
I_{CC2} (Note 4)	V_{CC} Programming Current	$\overline{CE} = V_{IL}$ Programming in Progress		20	30	mA
I_{CC3} (Note 4)	V_{CC} Erase Current	$\overline{CE} = V_{IL}$ Erasure in Progress		20	30	mA
I_{PPS}	V_{PP} Standby Current	$V_{PP} = V_{PPL}$			± 1.0	μA
I_{PP1}	V_{PP} Read Current	$V_{PP} = V_{PPH}$		70	200	μA
		$V_{PP} = V_{PPL}$			± 1.0	
I_{PP2} (Note 4)	V_{PP} Programming Current	$V_{PP} = V_{PPH}$ Programming in Progress		10	30	mA
I_{PP3} (Note 4)	V_{PP} Erase Current	$V_{PP} = V_{PPH}$ Erasure in Progress		10	30	mA
V_{IL}	Input Low Voltage		-0.5		0.8	V
V_{IH}	Input High Voltage		2.0		$V_{CC} + 0.5$	V
V_{OL}	Output Low Voltage	$I_{OL} = 5.8 \text{ mA}$ $V_{CC} = V_{CC} \text{ Min}$			0.45	V
V_{OH1}	Output High Voltage	$I_{OH} = -2.5 \text{ mA}$ $V_{CC} = V_{CC} \text{ Min}$	2.4			V
V_{ID}	A_9 Auto Select Voltage	$A_9 = V_{ID}$	11.5		13.0	V
I_{ID}	A_9 Auto Select Current	$A_9 = V_{ID} \text{ Max}$ $V_{CC} = V_{CC} \text{ Max}$		5	50	μA
V_{PPL}	V_{PP} during Read-Only Operations	Note: Erase/Program are inhibited when $V_{PP} = V_{PPL}$	0.0		$V_{CC} + 2.0$	V
V_{PPH}	V_{PP} during Read/Write Operations		11.4		12.6	V
V_{LKO}	Low V_{CC} Lock-out Voltage		3.2	3.7		V

Notes:

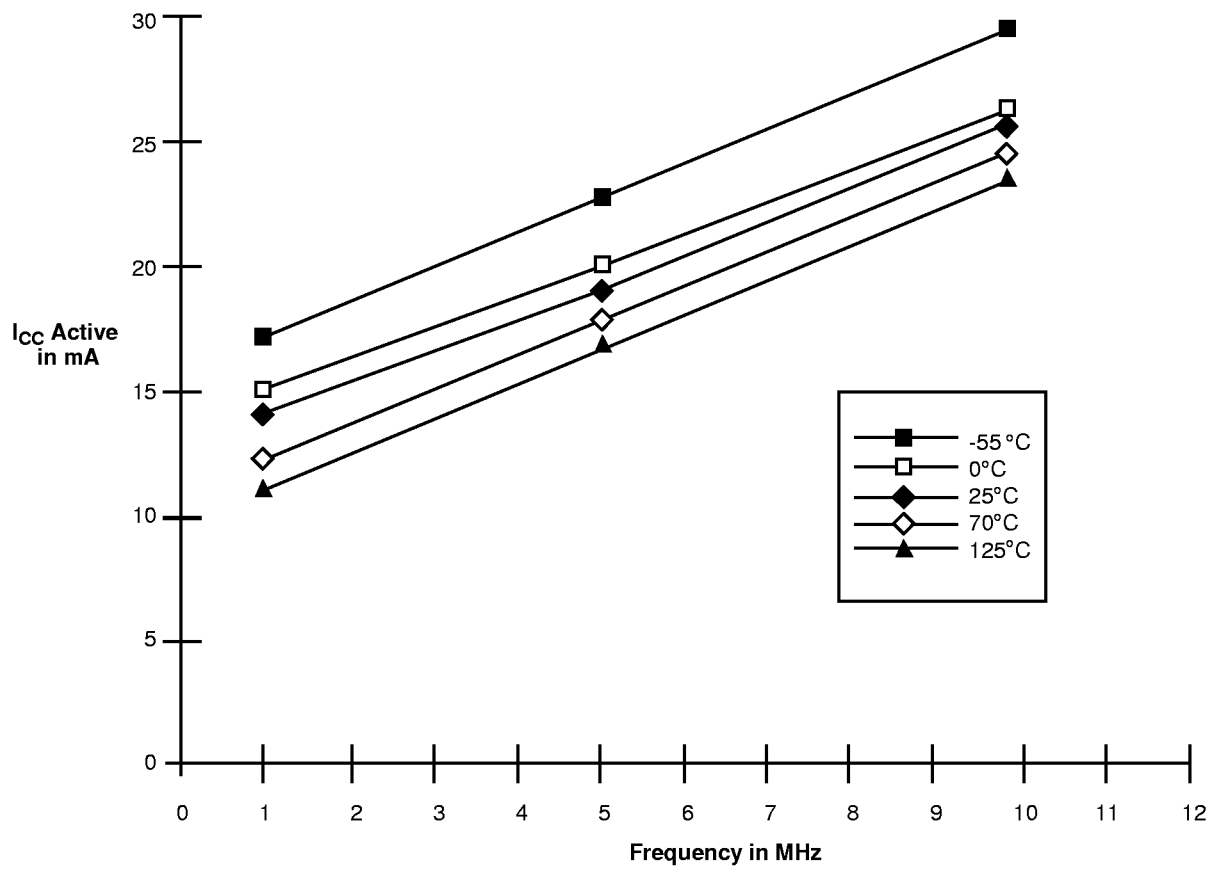
- Caution:** the Am28F020A must not be removed from (or inserted into) a socket when V_{CC} or V_{PP} is applied. If $V_{CC} \leq 1.0$ Volt, the voltage difference between V_{PP} and V_{CC} should not exceed 10.0 Volts. Also, the Am28F020A has a V_{PP} rise time and fall time specification of 500 ns minimum.
- I_{CC1} is tested with $\overline{OE} = V_{IH}$ to simulate open outputs.
- Maximum active power usage is the sum of I_{CC} and I_{PP} .
- Not 100% tested.

DC CHARACTERISTICS—CMOS COMPATIBLE

Parameter Symbol	Parameter Description	Test Conditions	Min	Typ	Max	Unit
I_{LI}	Input Leakage Current	$V_{CC} = V_{CC} \text{ Max}$, $V_{IN} = V_{CC} \text{ or } V_{SS}$			± 1.0	μA
I_{LO}	Output Leakage Current	$V_{CC} = V_{CC} \text{ Max}$, $V_{OUT} = V_{CC} \text{ or } V_{SS}$			± 1.0	μA
I_{CCS}	V_{CC} Standby Current	$V_{CC} = V_{CC} \text{ Max}$ $\overline{CE} = V_{CC} + 0.5 \text{ V}$		15	100	mA
I_{CC1}	V_{CC} Active Read Current	$V_{CC} = V_{CC} \text{ Max}$, $\overline{CE} = V_{IL}$, $\overline{OE} = V_{IH}$ $I_{OUT} = 0 \text{ mA}$, at 6 MHz		20	30	mA
I_{CC2} (Note 4)	V_{CC} Programming Current	$\overline{CE} = V_{IL}$ Programming in Progress		20	30	mA
I_{CC3} (Note 4)	V_{CC} Erase Current	$\overline{CE} = V_{IL}$ Erasure in Progress		20	30	mA
I_{PPS}	V_{PP} Standby Current	$V_{PP} = V_{PPL}$			± 1.0	μA
I_{PP1}	V_{PP} Read Current	$V_{PP} = V_{PPH}$		70	200	μA
I_{PP2} (Note 4)	V_{PP} Programming Current	$V_{PP} = V_{PPH}$ Programming in Progress		10	30	mA
I_{PP3} (Note 4)	V_{PP} Erase Current	$V_{PP} = V_{PPH}$ Erasure in Progress		10	30	mA
V_{IL}	Input Low Voltage		-0.5		0.8	V
V_{IH}	Input High Voltage		0.7 V_{CC}		$V_{CC} + 0.5$	V
V_{OL}	Output Low Voltage	$I_{OL} = 5.8 \text{ mA}$ $V_{CC} = V_{CC} \text{ Min}$			0.45	V
V_{OH1}	Output High Voltage	$I_{OH} = -2.5 \text{ mA}$, $V_{CC} = V_{CC} \text{ Min}$	0.85 V_{CC}			V
V_{OH2}		$I_{OH} = -100 \mu\text{A}$, $V_{CC} = V_{CC} \text{ Min}$	V_{CC} -0.4			
V_{ID}	A_9 Auto Select Voltage	$A_9 = V_{ID}$	11.5		13.0	V
I_{ID}	A_9 Auto Select Current	$A_9 = V_{ID} \text{ Max}$ $V_{CC} = V_{CC} \text{ Max}$		5	50	μA
V_{PPL}	V_{PP} during Read-Only Operations	Note: Erase/Program are inhibited when $V_{PP} = V_{PPL}$	0.0		$V_{CC} + 2.0$	V
V_{PPH}	V_{PP} during Read/Write Operations		11.4		12.6	V
V_{LKO}	Low V_{CC} Lock-out Voltage		3.2	3.7		V

Notes:

- Caution:** the Am28F020A must not be removed from (or inserted into) a socket when V_{CC} or V_{PP} is applied. If $V_{CC} \leq 1.0$ Volt, the voltage difference between V_{PP} and V_{CC} should not exceed 10.0 Volts. Also, the Am28F020A has a V_{PP} rise time and fall time specification of 500 ns minimum.
- I_{CC1} is tested with $\overline{OE} = V_{IH}$ to simulate open outputs.
- Maximum active power usage is the sum of I_{CC} and I_{PP} .
- Not 100% tested.



17502C-15

Figure 7. Am28F020A - Average I_{CC} Active vs. Frequency
 V_{CC} = 5.5 V, Addressing Pattern = Minmax
 Data Pattern = Checkerboard

PIN CAPACITANCE

Parameter Symbol	Parameter Description	Test Setup	Typ	Max	Unit
C_{IN}	Input Capacitance	$V_{IN} = 0$	8	10	pF
C_{OUT}	Output Capacitance	$V_{OUT} = 0$	8	12	pF
C_{IN2}	V_{PP} Input Capacitance	$V_{PP} = 0$	8	12	pF

Notes:

1. Sampled, not 100% tested.
2. Test conditions $T_A = 25^\circ\text{C}$, $f = 1.0\text{ MHz}$.

SWITCHING CHARACTERISTICS over operating range, unless otherwise specified

AC Characteristics—Read-Only Operations Characteristics

Parameter Symbols		Parameter Description							Unit
JEDEC	Standard								
t_{AVAV}	t_{RC}	Read Cycle Time (Note 3)	Min	70	90	120	150	200	ns
t_{ELQV}	t_{CE}	Chip Enable Access Time	Max	70	90	120	150	200	ns
t_{AVQV}	t_{ACC}	Address Access Time	Max	70	90	120	150	200	ns
t_{GLQV}	t_{OE}	Output Enable Access Time	Max	35	35	50	55	55	ns
t_{ELQX}	t_{LZ}	Chip Enable to Output in Low Z ³	Min	0	0	0	0	0	ns
t_{EHQZ}	t_{DF}	Chip Disable to Output in High Z ²	Max	20	20	30	35	35	ns
t_{GLQX}	t_{OLZ}	Output Enable to Output in Low Z ³	Min	0	0	0	0	0	ns
t_{GHQZ}	t_{DF}	Output Disable to Output in High Z ³	Max	20	20	30	35	35	ns
t_{AXQX}	t_{OH}	Output Hold Time From First Address, \overline{CE} , or \overline{OE} change ³	Min	0	0	0	0	0	ns
t_{VCS}		V_{CC} Set-up Time to Valid Read ³	Min	50	50	50	50	50	ns

Notes:

1. Output Load:

for -70:

1 TTL gate and $C_L = 30\text{ pF}$ Input Rise and Fall Times: $\leq 10\text{ ns}$

Input Pulse levels: 0 V to 3 V

Timing Measurement Reference Level: 1.5 V inputs and outputs.

for all others:

1 TTL gate and $C_L = 100\text{ pF}$ Input Rise and Fall Times: $\leq 10\text{ ns}$

Input Pulse levels: 0.45 V to 2.4 V

Timing Measurement Reference Level: 0.8 V and 2 V inputs and outputs

2. Guaranteed by design; not tested.

3. Not 100% tested.

12.0 V Flash

AC CHARACTERISTICS—Write (Erase/Program) Operations

Parameter Symbols		Description							Unit
JEDEC	Standard								
t_{AVAV}	t_{WC}	Write Cycle Time 6	Min	70	90	120	150	200	ns
t_{AVWL}	t_{AS}	Address Setup Time	Min	0	0	0	0	0	ns
t_{WLAX}	t_{AH}	Address Hold Time	Min	45	45	50	60	75	ns
t_{DVWH}	t_{DS}	Data Setup Time	Min	45	45	50	50	50	ns
t_{WHDX}	t_{DH}	Data Hold Time	Min	10	10	10	10	10	ns
t_{OEHL}		Output Enable Hold Time for Embedded Algorithm only (See Figure 8)	Min	10	10	10	10	10	ns
t_{GHWL}		Read Recovery Time Before Write	Min	0	0	0	0	0	ns
t_{ELWLE}	t_{CSE}	\overline{CE} Embedded Algorithm Setup Time	Min	20	20	20	20	20	ns
t_{WHEH}	t_{CH}	\overline{CE} Hold Time	Min	0	0	0	0	0	ns
t_{WLWH}	t_{WP}	Write Pulse Width	Min	45	45	50	60	60	ns
t_{WHWL}	t_{WPH}	Write Pulse Width High	Min	20	20	20	20	20	ns
t_{WHWH3}		Embedded Program Operation 4	Min	14	14	14	14	14	μ s
t_{WHWH4}		Embedded Erase Operation 5	Typ	5	5	5	5	5	sec
t_{VPEL}		V_{PP} Setup Time to Chip Enable Low 6	Min	100	100	100	100	100	ns
t_{VCS}		V_{CC} Setup Time 6	Min	50	50	50	50	50	μ s
t_{VPPR}		V_{PP} Rise Time 6 90% V_{PPH}	Min	500	500	500	500	500	ns
t_{VPPF}		V_{PP} Fall Time 6 90% V_{PPL}	Min	500	500	500	500	500	ns
t_{LKO}		$V_{CC} < V_{LKO}$ to Reset 6	Min	100	100	100	100	100	ns

Notes:

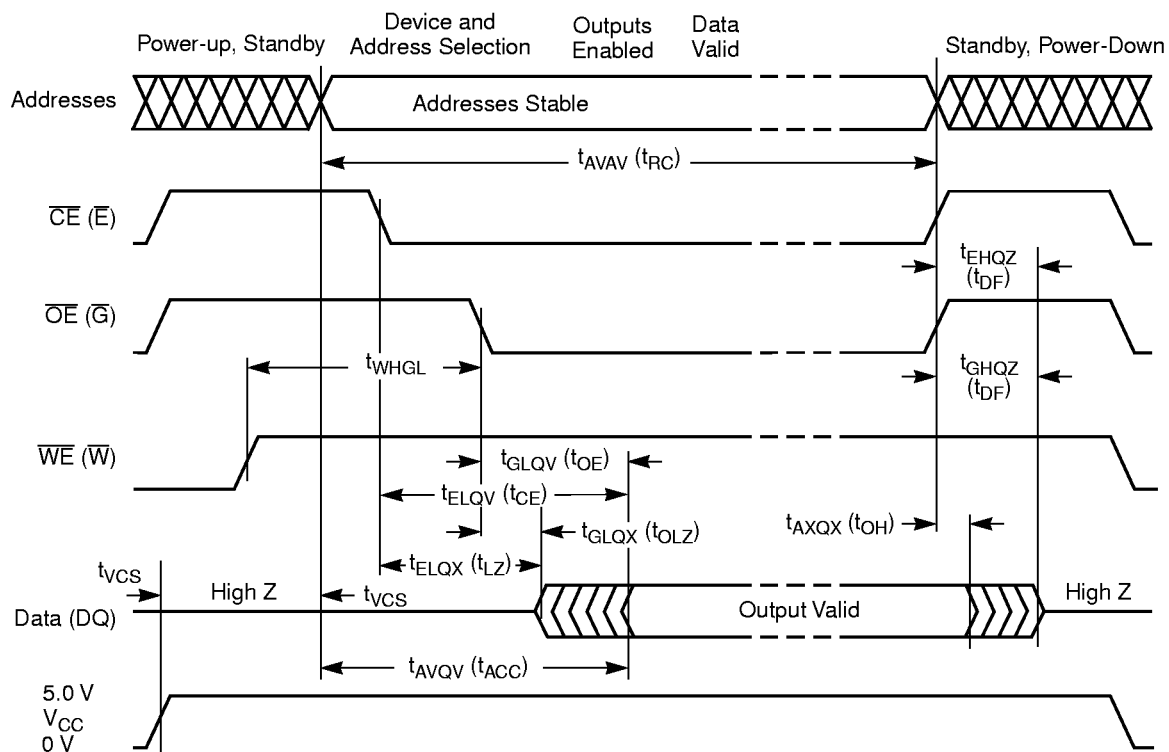
- Read timing characteristics during read/write operations are the same as during read-only operations. Refer to AC Characteristics for Read Only operations.
- Am28F020A-70: Input Rise and Fall times: ≤ 10 ns;
Input Pulse Levels: 0.0 V to 3.0 V
Timing Measurement Reference Level, inputs and outputs: 1.5 V
- All others: Input Rise and Fall times: ≤ 10 ns;
Input Pulse Levels: 0.45 V to 2.4 V
Timing Measurement Reference Level, inputs and outputs: 0.8 V and 2.0 V
- Embedded Program Operation of 14 μ s consists of 10 μ s program pulse and 4 μ s write recovery before read. This is the minimum time for one pass through the programming algorithm.
- Embedded Erase operation of 5 sec consists of 4 sec array pre-programming time and one sec array erase time. This is a typical time for one embedded erase operation.
- Not 100% tested.

KEY TO SWITCHING WAVEFORMS

WAVEFORM	INPUTS	OUTPUTS
	Must Be Steady	Will Be Steady
	May Change from H to L	Will Be Changing from H to L
	May Change from L to H	Will Be Changing from L to H
	Don't Care, Any Change Permitted	Changing, State Unknown
	Does Not Apply	Center Line is High-Impedance "Off" State

KS000010

SWITCHING WAVEFORMS

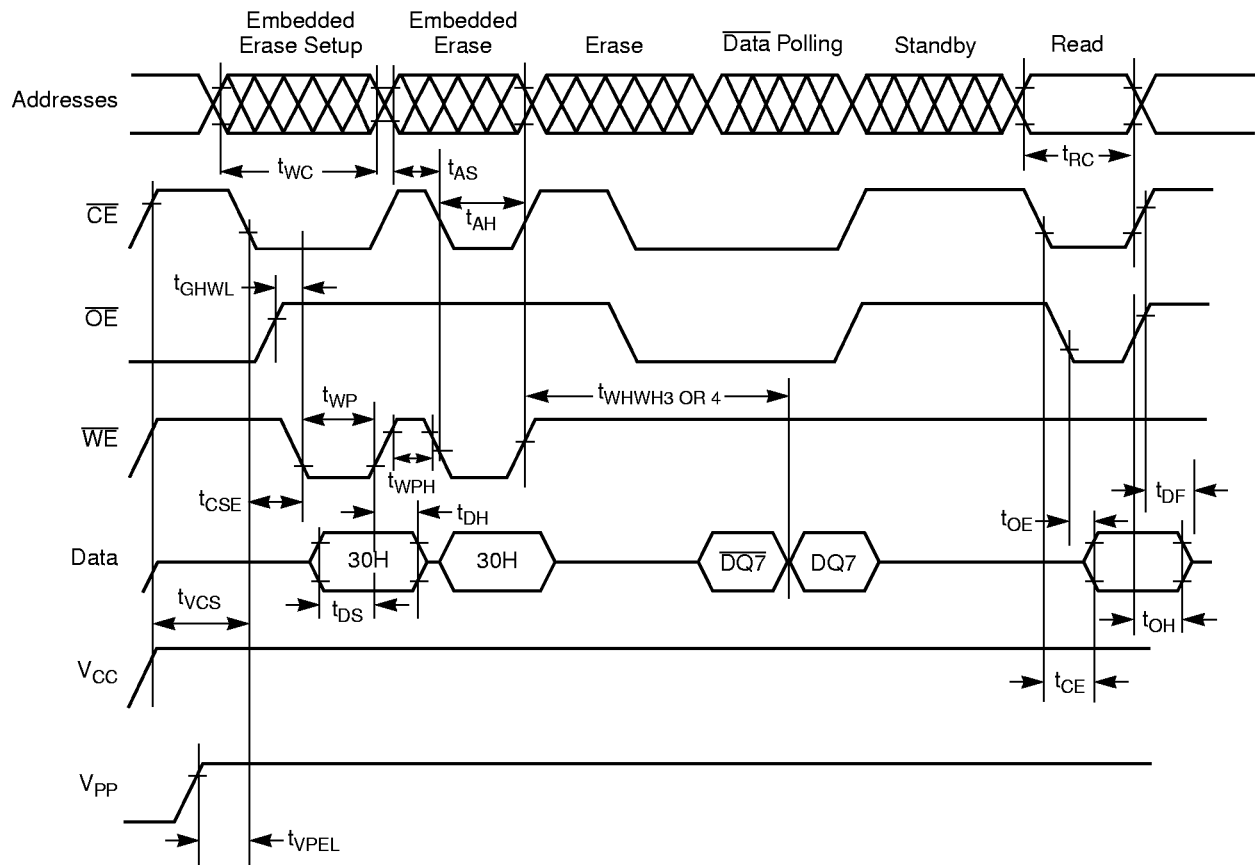


17502C-16

Figure 8. AC Waveforms for Read Operations

12.0 V Flash

SWITCHING WAVEFORMS

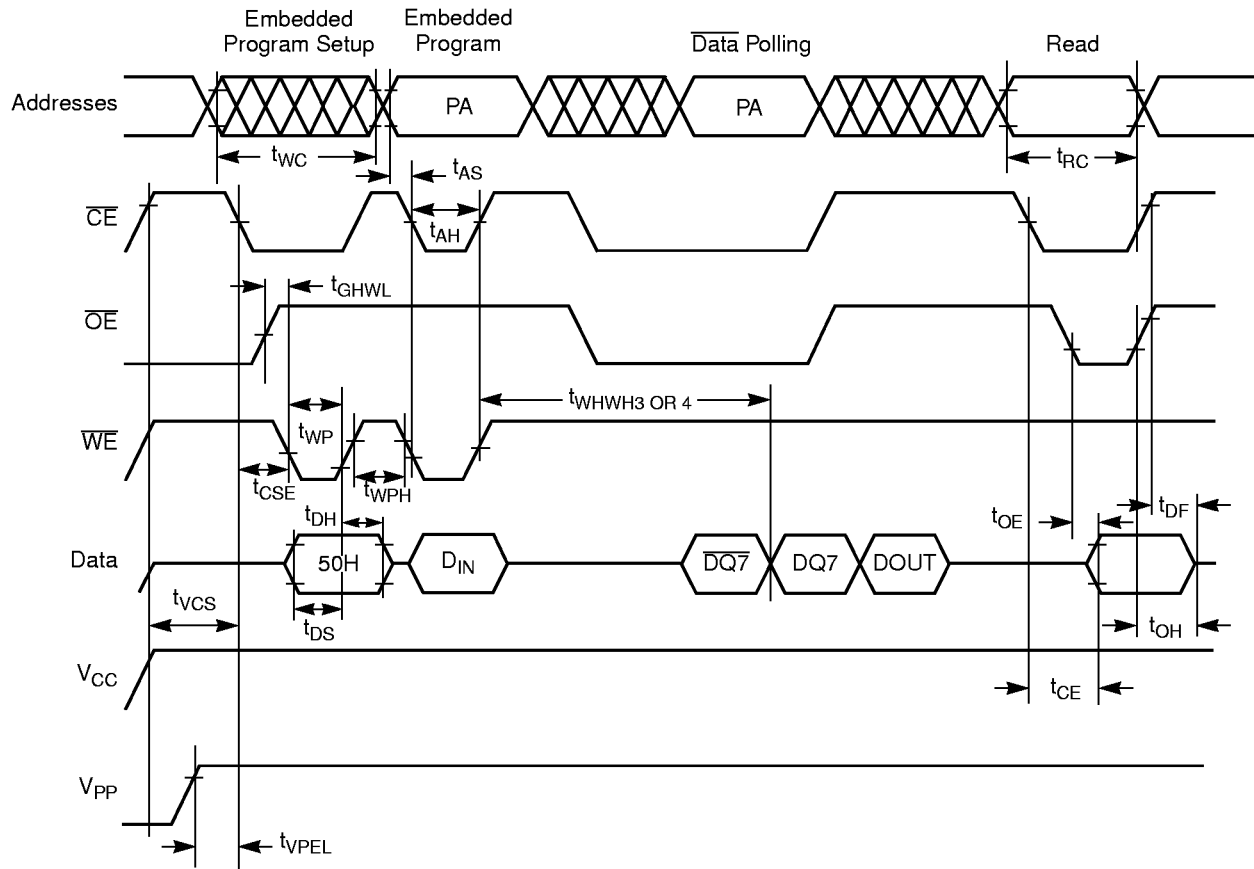


17502C-17

Note:
 $\overline{DQ7}$ is the output of the complement of the data written to the device.

Figure 9. AC Waveforms for Embedded Erase Operation

SWITCHING WAVEFORMS



17502C-18

Notes:

1. D_{IN} is data input to the device.
2. $\overline{DQ7}$ is the output of the complement of the data written to the device.
3. D_{OUT} is the output of the data written to the device.

Figure 10. AC Waveforms for Embedded Programming Operation

12.0 V Flash

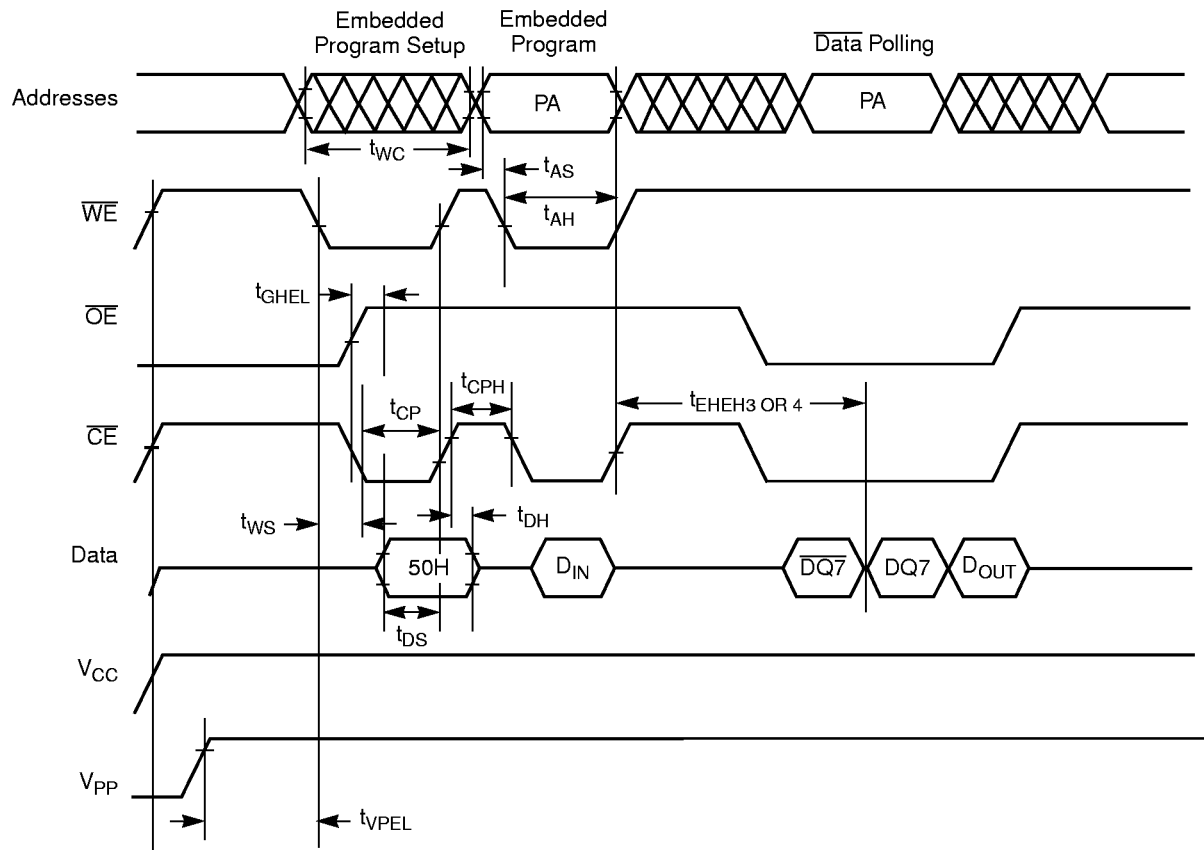
AC CHARACTERISTICS—Write (Erase/Program) Operations Alternate \overline{CE} Controlled Writes

Parameter Symbols		Description			-70	-90	-120	-150	-200	Unit
JEDEC	Standard									
t_{AVAV}	t_{WC}	Write Cycle Time 6	Min		70	90	120	150	200	ns
t_{AVEL}	t_{AS}	Address Setup Time	Min		0	0	0	0	0	ns
t_{ELAX}	t_{AH}	Address Hold Time	Min		45	45	50	60	75	ns
t_{DVEH}	t_{DS}	Data Setup Time	Min		45	45	50	50	50	ns
t_{EHDX}	t_{DH}	Data Hold Time	Min		10	10	10	10	10	ns
t_{OEHL}		Output Enable Hold Time for Embedded Algorithm only (See Figure 8)	Min		10	10	10	10	10	ns
t_{GHLEL}		Read Recovery Time Before Write	Min		0	0	0	0	0	ns
t_{WLEL}	t_{WS}	\overline{WE} Setup Time by \overline{CE}	Min		0	0	0	0	0	ns
t_{EHWK}	t_{WH}	\overline{WE} Hold Time	Min		0	0	0	0	0	ns
t_{ELEH}	t_{CP}	Write Pulse Width	Min		65	65	70	80	80	ns
t_{EHEL}	t_{CPH}	Write Pulse Width High	Min		20	20	20	20	20	ns
t_{EHEH3}		Embedded Program Operation 4	Min		14	14	14	14	14	μ s
t_{EHEH4}		Embedded Erase Operation 5	Typ		5	5	5	5	5	sec
t_{VPEL}		V_{PP} Setup Time to Chip Enable Low 6	Min		100	100	100	100	100	ns
t_{VCS}		V_{CC} Setup Time 6	Min		50	50	50	50	50	μ s
t_{VPPR}		V_{PP} Rise Time 6 90% V_{PPH}	Min		500	500	500	500	500	ns
t_{VPPF}		V_{PP} Fall Time 6 90% V_{PPL}	Min		500	500	500	500	500	ns
t_{LKO}		$V_{CC} < V_{LKO}$ to Reset 6	Min		100	100	100	100	100	ns

Notes:

- Read timing characteristics during read/write operations are the same as during read-only operations. Refer to AC Characteristics for Read Only operations.
- Am28F020A-70: Input Rise and Fall times: ≤ 10 ns;
Input Pulse Levels: 0.0 V to 3.0 V
Timing Measurement Reference Level, inputs and outputs: 1.5 V
- All others: Input Rise and Fall times: ≤ 10 ns;
Input Pulse Levels: 0.45 V to 2.4 V
Timing Measurement Reference Level, inputs and outputs: 0.8 V and 2.0 V
- Embedded Program Operation of 14 μ s consists of 10 μ s program pulse and 4 μ s write recovery before read. This is the minimum time for one pass through the programming algorithm.
- Embedded erase operation of 5 sec consists of 4 sec array pre-programming time and one sec array erase time. This is a typical time for one embedded erase operation.
- Not 100% tested.

SWITCHING WAVEFORMS



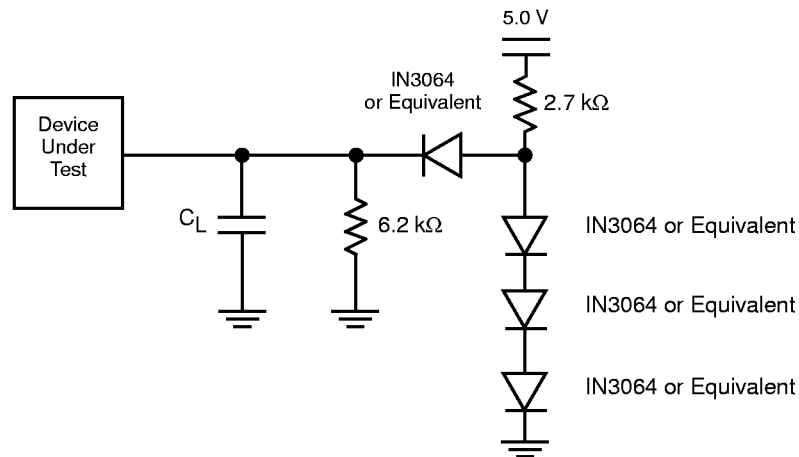
17502C-19

Notes:

1. D_{IN} is data input to the device.
2. $\overline{DQ7}$ is the output of the complement of the data written to the device.
3. D_{OUT} is the output of the data written to the device.

Figure 11. AC Waveforms for Embedded Programming Operation Using \overline{CE} Controlled Writes

SWITCHING TEST CIRCUIT



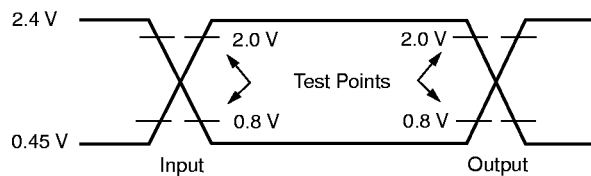
Notes:

For -70, $C_L = 30 \text{ pF}$, including jig capacitance

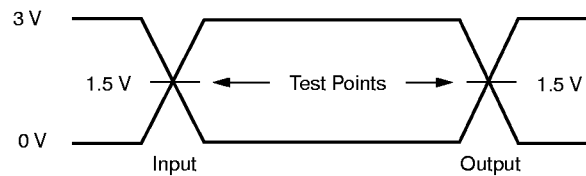
For all others, $C_L = 100 \text{ pF}$, including jig capacitance

17502C-20

SWITCHING TEST WAVEFORM



AC Testing (all speed options except -70): Inputs are driven at 2.4 V for a logic "1" and 0.45 V for a logic "0". Input pulse rise and fall times are $\leq 10 \text{ ns}$.



AC Testing for -70 devices: Inputs are driven at 3.0 V for a logic "1" and 0 V for a logic "0". Input pulse rise and fall times are $\leq 10 \text{ ns}$.

17502C-21

ERASE AND PROGRAMMING PERFORMANCE

Parameter	Limits				Comments
	Min	Typ	Max (Note 3)	Unit	
Chip Erase Time		1 (Note 1)	10 (Note 2)	sec	Excludes 00H programming prior to erasure
Chip Programming Time		4 (Note 1)	25	sec	Excludes system-level overhead
Write/Erase Cycles	100,000			Cycles	
Byte Programming Time		14		μ s	
			96 (Note 4)	ms	

Notes:

1. 25°C, 12 V V_{PP} .
2. The Embedded algorithms allows for 60 second erase time for military temperature range operations.
3. Maximum time specified is lower than worst case. Worst case is derived from the Embedded Algorithm internal counter which allows for a maximum 6000 pulses for both program and erase operations. Typical worst case for program and erase is significantly less than the actual device limit.
4. Typical worst case = 84 μ s. DQ5 = "1" only after a byte takes longer than 96 ms to program.

LATCHUP CHARACTERISTICS

Parameter	Min	Max
Input Voltage with respect to V_{SS} on all pins except I/O pins (Including A9 and V_{PP})	-1.0 V	13.5 V
Input Voltage with respect to V_{SS} on all pins I/O pins	-1.0 V	$V_{CC} + 1.0$ V
Current	-100 mA	+100 mA
Includes all pins except V_{CC} . Test conditions: $V_{CC} = 5.0$ V, one pin at a time.		

DATA RETENTION

Parameter	Test Conditions	Min	Unit
Minimum Pattern Data Retention Time	150°C	10	Years
	125°C	20	Years

**DATA SHEET REVISION SUMMARY FOR
AM28F020A****Distinctive Characteristics:**

High Performance: The fastest speed option available is now 70 ns.

General Description:

Paragraph 2: Changed fastest speed option to 70 ns.

Product Selector Guide:

Added -70, deleted -95 and -250 speed options.

Ordering Information, Standard Products:

The -70 speed option is now listed in the example.

Valid Combinations: Added -70, deleted -95 and -250 combinations.

Erase, Program, and Read Mode:

Corrected the subheading to read " $V_{PP} = 12.0\text{ V} \pm 5\%$ ".

Operating Ranges:

V_{CC} Supply Voltages: Added -70, deleted -95 and -250 speed options.

AC Characteristics:

Read Only Operations Characteristics: Added the -70 column and test conditions.

Deleted -95 and -250 speed options.

AC Characteristics:

Write/Erase/Program Operations, Alternate \overline{CE} Controlled Writes: Added the -70 column. Deleted -95 and -250 speed options.

Switching Test Waveforms:

In the 3.0 V waveform caption, changed -95 to -70.