

PRODUCT NUMBER
76344-YXX

NUMBER OF POSITIONS PER ROW: 02 TO 50.

PLATING CODE

3= 0.76µm GOLD ON CONTACT AREA.

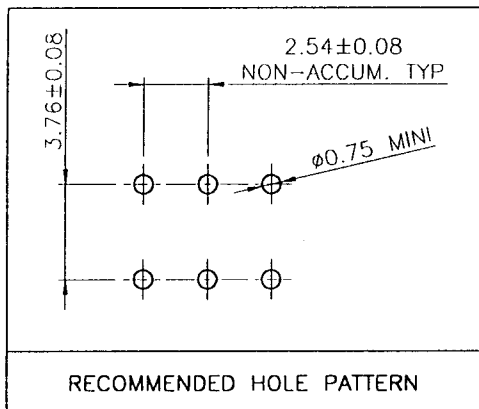
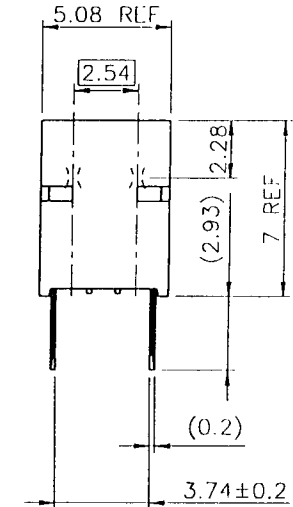
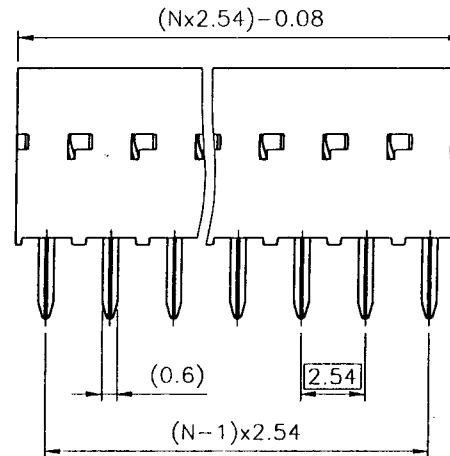
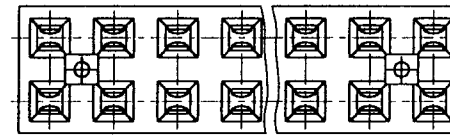
3.81µm TIN-LEAD ON TAIL.

4= 5µm TIN-LEAD ON CONTACT AREA.

3.81µm TIN-LEAD ON TAIL.

NOTES:

- 1 - HOUSING MAT'L: THERMOPLASTIC GLASS FILLED
FLAME RETARDANT PER UL 94 V-0 COLOR: BLUE.
- 2 - TERMINAL MATERIAL: PHOSPHOR BRONZE.
- 3 - 02 UP TO 04 POSITIONS PRODUCT PACKED IN PLASTIC BOX.
05 UP TO 50 POSITIONS PRODUCT PACKED IN TUBE.
- 4 - TO DETERMINE DIMENSIONS:
N = NUMBER OF POSITIONS PER ROW
EXAMPLE: 8 POS: $(N \times 2.54) - 0.08 = 20.24$ mm



mat'l. code SEE NOTES				tolerances unless otherwise specified		CUSTOMER COPY	ELECTRONICS www.fciconnect.com	
lfr	ecn no	dr	date	linear	angles	projection	title	
H	F10116	GCO	01.01.23				BtB RECEPT. VERT DR TMT	
				dr	G CORBOZ	01.01.23	product family	DUBOX
				engr	P NIZZI	01.01.23	code	213
				chr	D LEGRAND	01.01.23	size	dwg no
				appd	P-N	01.01.23	scale	76344
sheet	revision	H						sheet
index	sheet	1						1 of 1